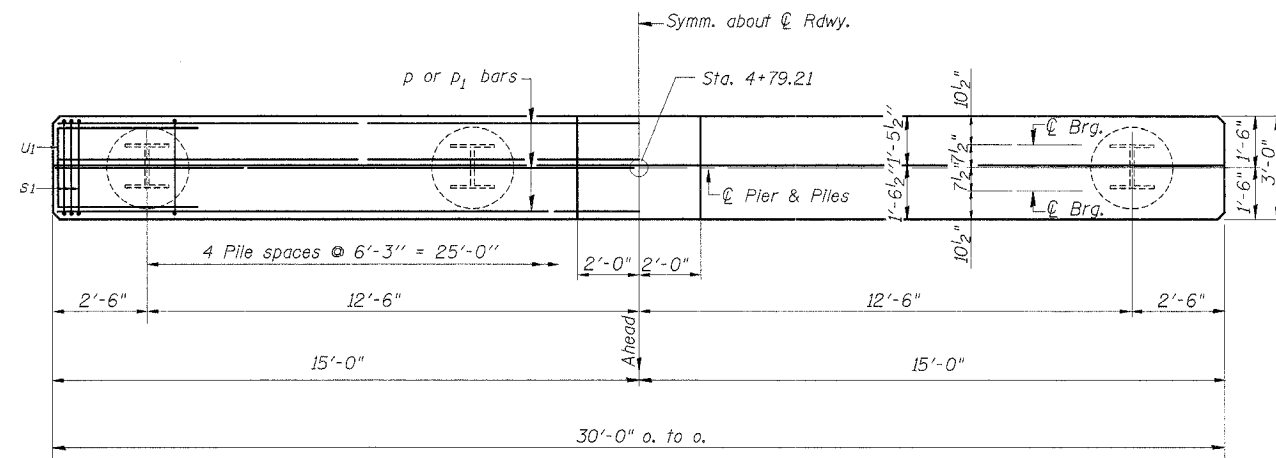
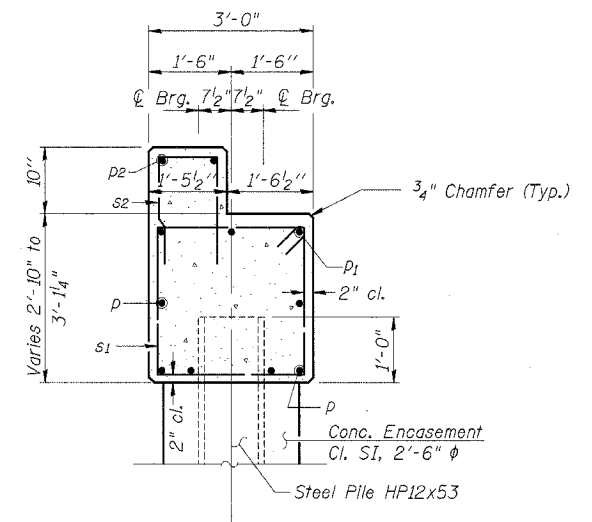
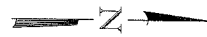


ROUTE NO.	SECTION	COUNTY	TOTAL SHEETS	SHEET NO.
T.R. 39	99-01123-00-BR	CUMBERLAND	11	10
ROAD DISTRICT		ILLINOIS	COTTONWOOD	

Note: All edges shall have standard 3/4" chamfer

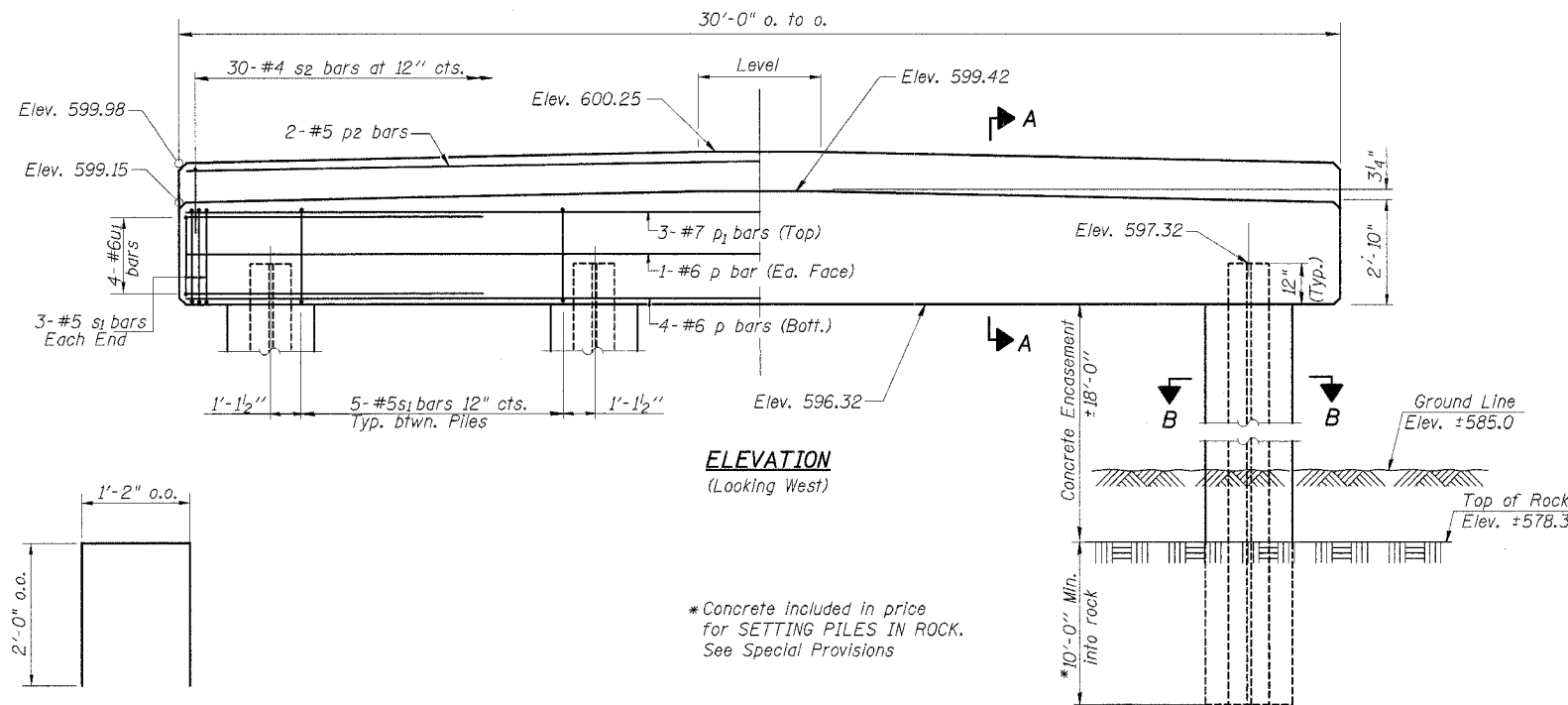


PLAN



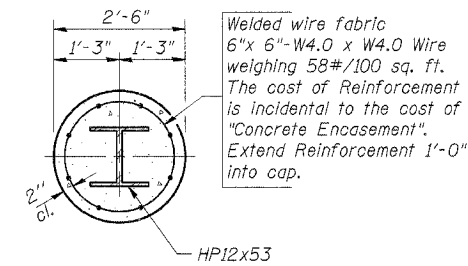
SECTION A-A  
(Looking North)

Note A: Precore through the existing earth and rock as shown. Piles shall be grouted into the rock with Concrete. Precored holes shall be clean at time of placement and grouting. See Special Provisions.



ELEVATION  
(Looking West)

\* Concrete included in price for SETTING PILES IN ROCK. See Special Provisions



SECTION B-B

BILL OF MATERIAL - PIER 1

BAR	NO.	SIZE	LENGTH	SHAPE
p	6	#6	29'-8"	—
p1	3	#7	29'-8"	—
p2	2	#5	29'-8"	—
s1	26	#5	11'-3"	□
s2	30	#4	5'-2"	□
u	8	#6	12'-7"	—
Concrete Structures			Cu. Yd.	11.3
Reinforcement Bars			Pound	1,080
Furnishing Steel Piles HP12x53			Foot	145
Concrete Encasement			Cu. Yd.	16.4
Setting Piles in Rock			Each	5

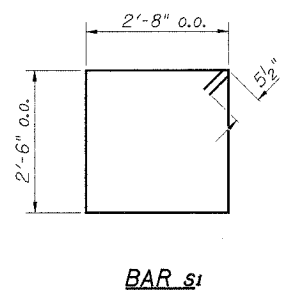
PILE DATA

Type \_\_\_\_\_ HP12x53  
 Capacity \_\_\_\_\_ Set in Rock (See Note A)  
 Est. Length \_\_\_\_\_ 29 Feet/Pile  
 No. Req'd (1 Pier) \_\_\_\_\_ 5

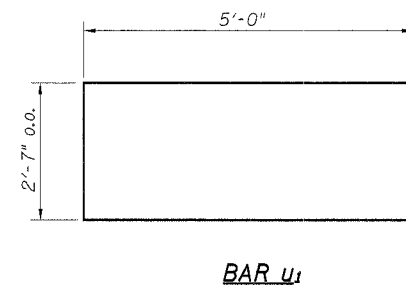
PIER 1

SECTION 99-01123-00-BR  
 COTTONWOOD ROAD DISTRICT  
 CUMBERLAND COUNTY  
 STATION 5+09.25

DESIGNED	M.E.B.
CHECKED	F.J.S.
DRAWN	R.S.J.
CHECKED	F.J.S.



BAR s2



BAR u1

4440 ASH GROVE SPRINGFIELD, IL 62707 (217) 793-8500 casinc@famvid.com	<b>OZYURT AND STONE, INC.</b> CONSULTING ENGINEERS	JOB NO.: 0018.5 FILE: PIER.DGN DATE: 02-19-03
--	---	---