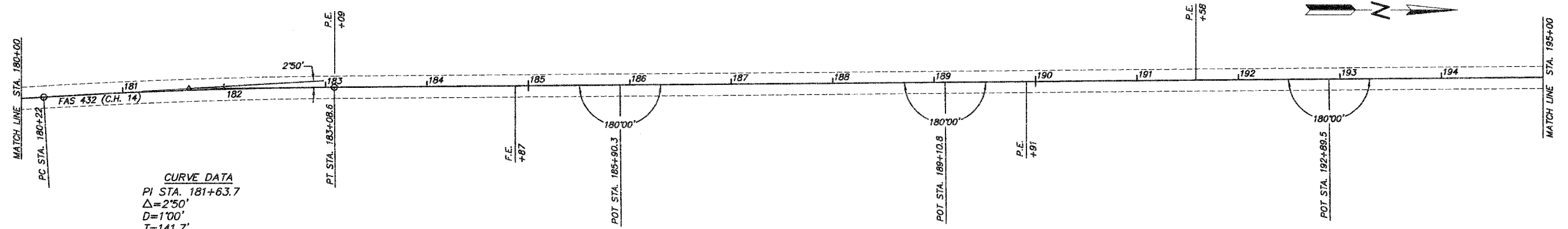
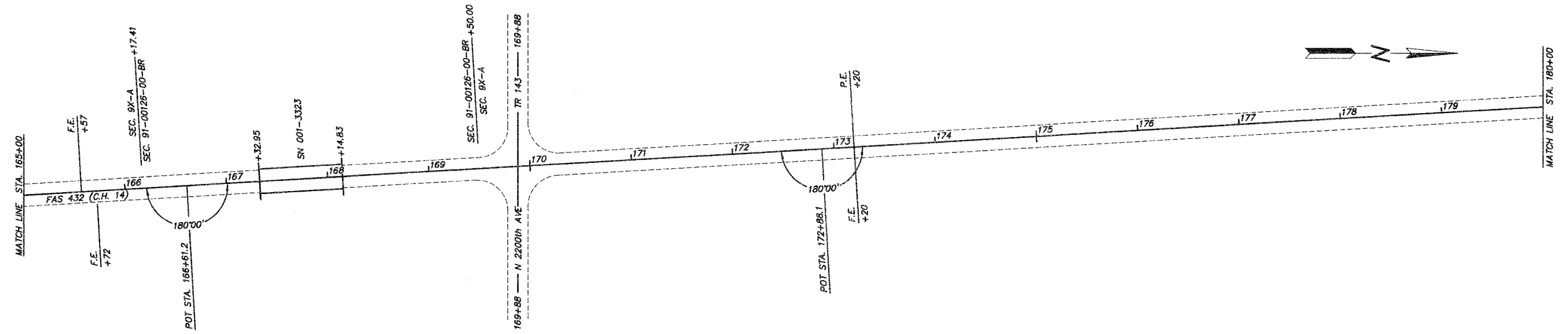
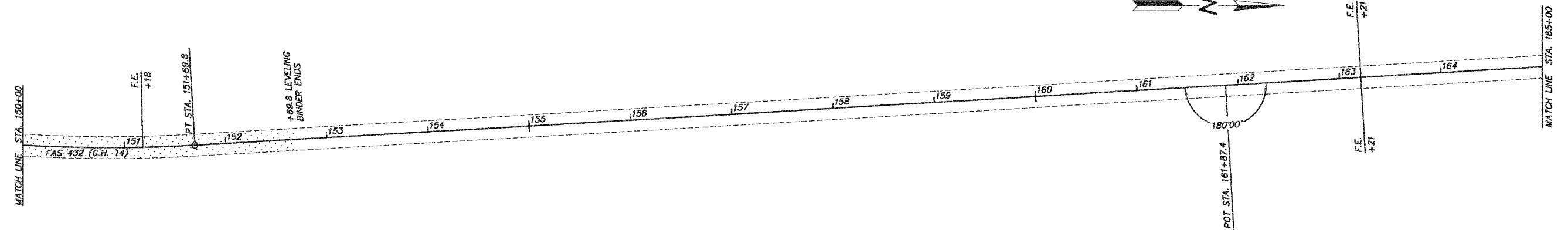
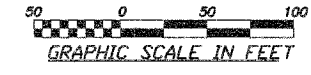


COUNTY	ROUTE	SECTION	TOTAL SHEETS	SHEET NO.
ADAMS	FAS 432	05-00191-00-RS	15	9

STATION 150+00 TO STATION 195+00



**CURVE DATA**  
 PI STA. 181+63.7  
 $\Delta=2^{\circ}50'$   
 $D=1^{\circ}00'$   
 $T=141.7'$   
 $R=5,729.6'$   
 $L=286.6'$   
 $E=1.75'$   
 PC STA. 180+22  
 PT STA. 183+08.6  
 SE=REMOVE CROWN