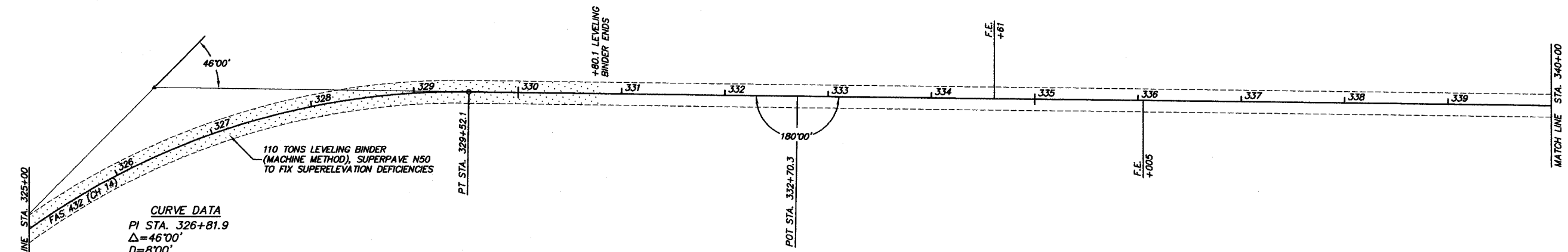
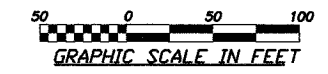


COUNTY	ROUTE	SECTION	TOTAL SHEETS	SHEET NO.
ADAMS	FAS 432	05-00194-00-RS	12	10

STATION 325+00 TO STATION 355+00



**CURVE DATA**  
 PI STA. 326+81.9  
 $\Delta=46^{\circ}00'$   
 $D=8^{\circ}00'$   
 $T=304.68'$   
 $R=716.8'$   
 $L=574.9'$   
 $E=61.9'$   
 PC STA. 323+77.2  
 PT STA. 329+52.1  
 $SE=0.08$  FT./FT.  
 ATTN: STA. 322+49.2 TO STA. 324+41.2  
 REMD: STA. 328+88.1 TO STA. 330+80.1

