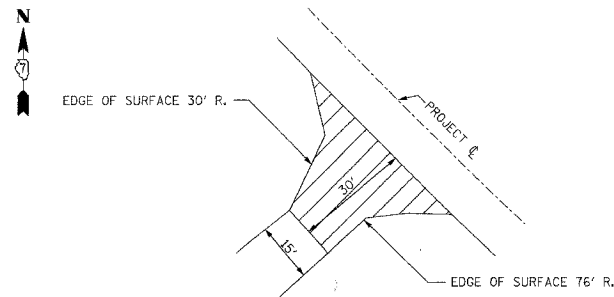


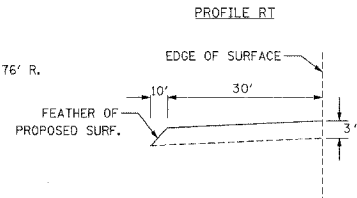
DETAILS OF SURFACING AT INTERSECTIONS AND SIDEROADS

F.A.S.	SECTION	COUNTY	TOTAL SHEETS	SHEET NO.
888	05-00098-00-RS	WHITE	4	3
FDL ROAD DIST. NO. 7		ILLINOIS	HERALD ROAD	
LEC JOB # H08L086WH			CONTRACT NO. 95434	

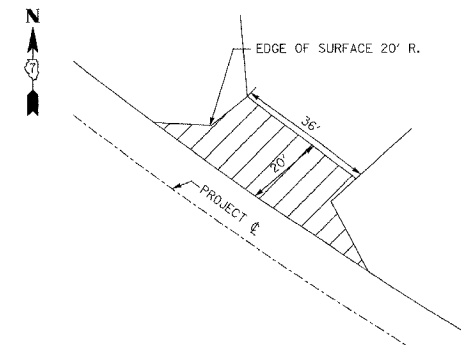
DETAIL OF INTERSECTION RT. STA. 83+40



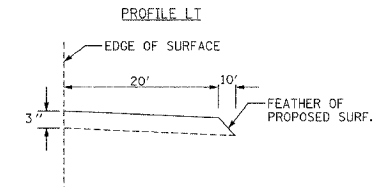
NOTE: THE QUANTITY SHOWN FOR BITUMINOUS CONCRETE SURFACE COURSE, SUPERPAVE, MIX "C", NSO INCLUDES 12.1 TONS OF MATERIAL FOR THE SIDEROAD APPROACH AND RADII.



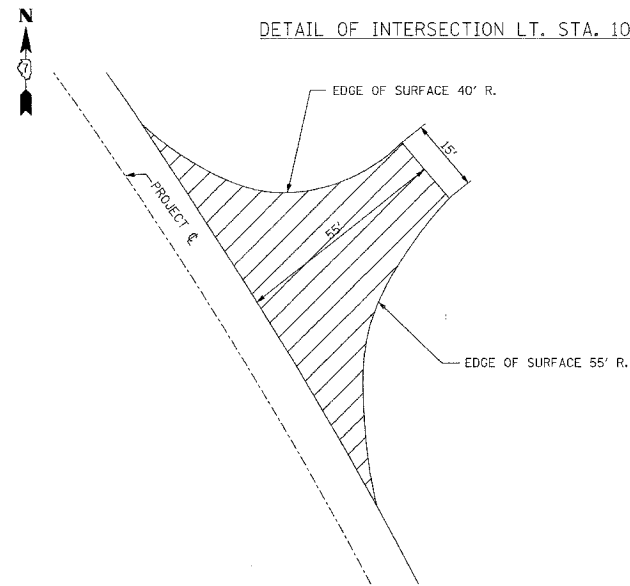
DETAIL OF INTERSECTION LT. STA. 85+40



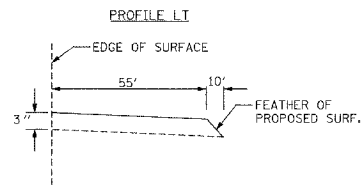
NOTE: THE QUANTITY SHOWN FOR BITUMINOUS CONCRETE SURFACE COURSE, SUPERPAVE, MIX "C", NSO INCLUDES 13.3 TONS OF MATERIAL FOR THE SIDEROAD APPROACH AND RADII.



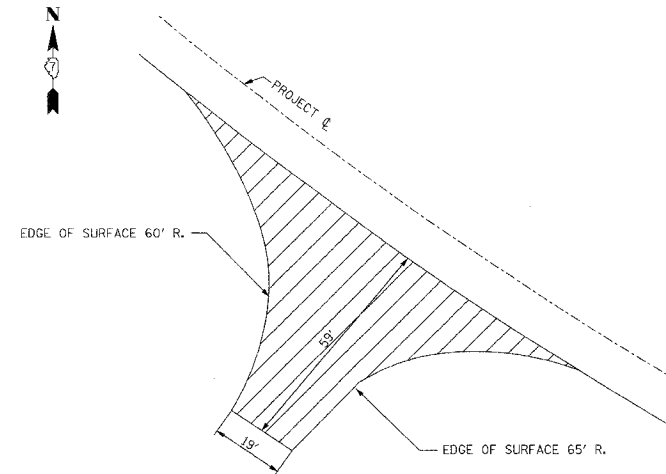
DETAIL OF INTERSECTION LT. STA. 103+91



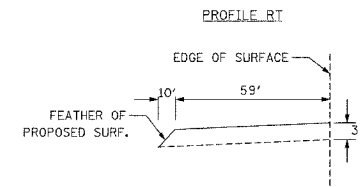
NOTE: THE QUANTITY SHOWN FOR BITUMINOUS CONCRETE SURFACE COURSE, SUPERPAVE, MIX "C", NSO INCLUDES 38.3 TONS OF MATERIAL FOR THE SIDEROAD APPROACH AND RADII.



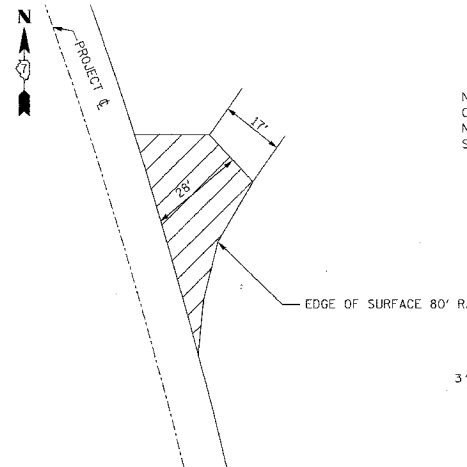
DETAIL OF INTERSECTION RT. STA. 151+52



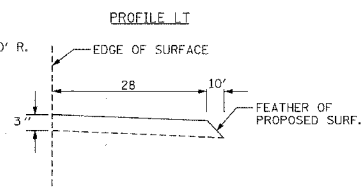
NOTE: THE QUANTITY SHOWN FOR BITUMINOUS CONCRETE SURFACE COURSE, SUPERPAVE, MIX "C", NSO INCLUDES 42.5 TONS OF MATERIAL FOR THE SIDEROAD APPROACH AND RADII.



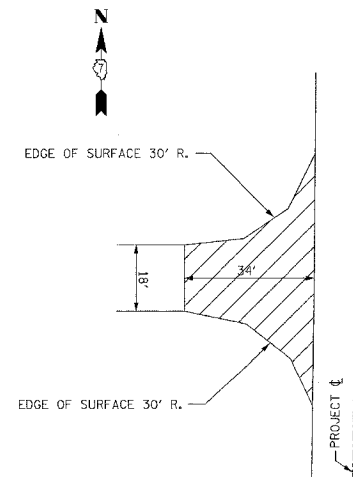
DETAIL OF INTERSECTION LT. STA. 189+80



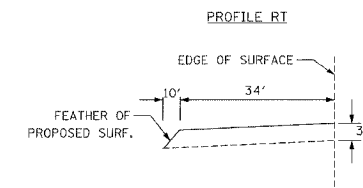
NOTE: THE QUANTITY SHOWN FOR BITUMINOUS CONCRETE SURFACE COURSE, SUPERPAVE, MIX "C", NSO INCLUDES 12.4 TONS OF MATERIAL FOR THE SIDEROAD APPROACH AND RADII.



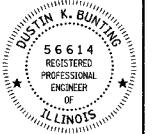
DETAIL OF INTERSECTION RT. STA. 208+22



NOTE: THE QUANTITY SHOWN FOR BITUMINOUS CONCRETE SURFACE COURSE, SUPERPAVE, MIX "C", NSO INCLUDES 15.9 TONS OF MATERIAL FOR THE SIDEROAD APPROACH AND RADII.



PROFESSIONAL DESIGN FIRM
LAND SURVEY & PROFESSIONAL ENGINEERING CORPORATION
184-00087
(62-032438)(35-002769)



DUSTIN K. BUNTING
NAME
Dustin K. Bunting
SIGNATURE
DATE
11-30-05
EXPIRES