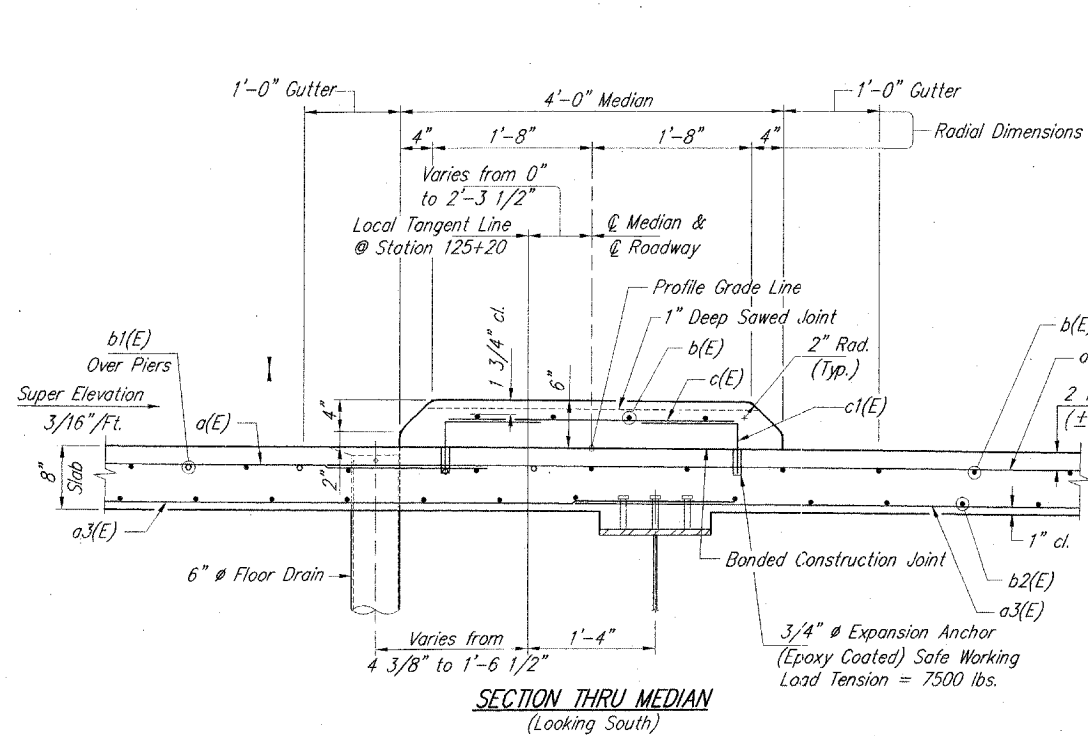
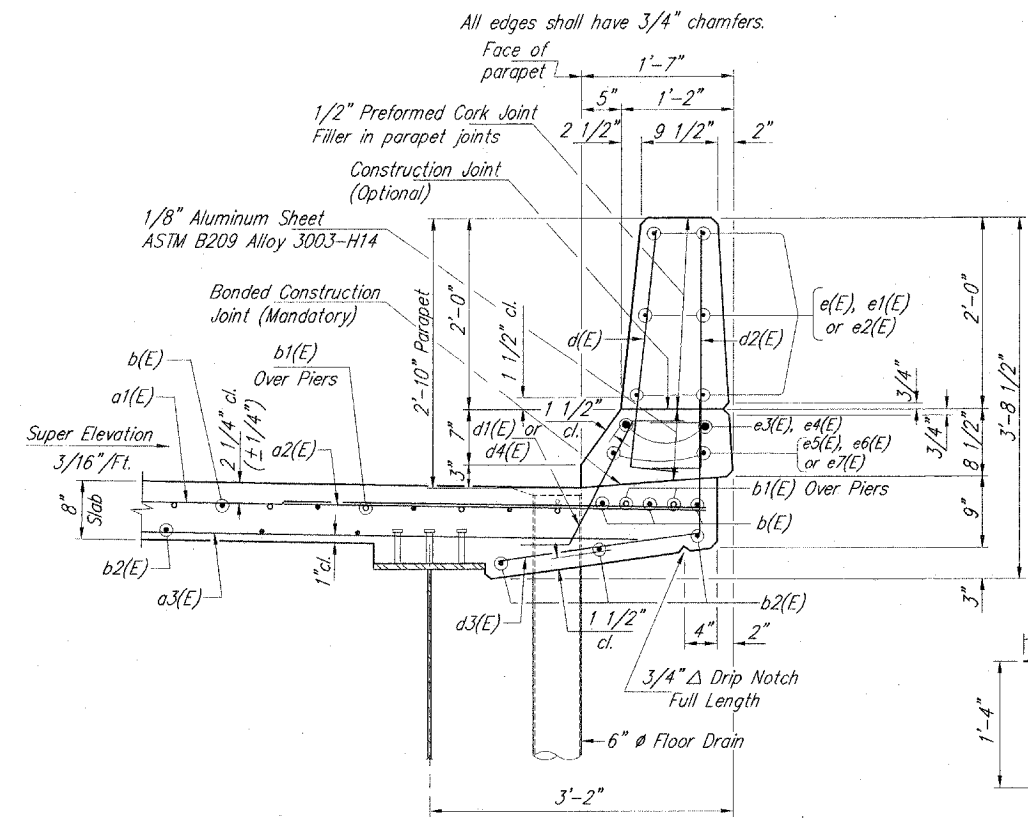


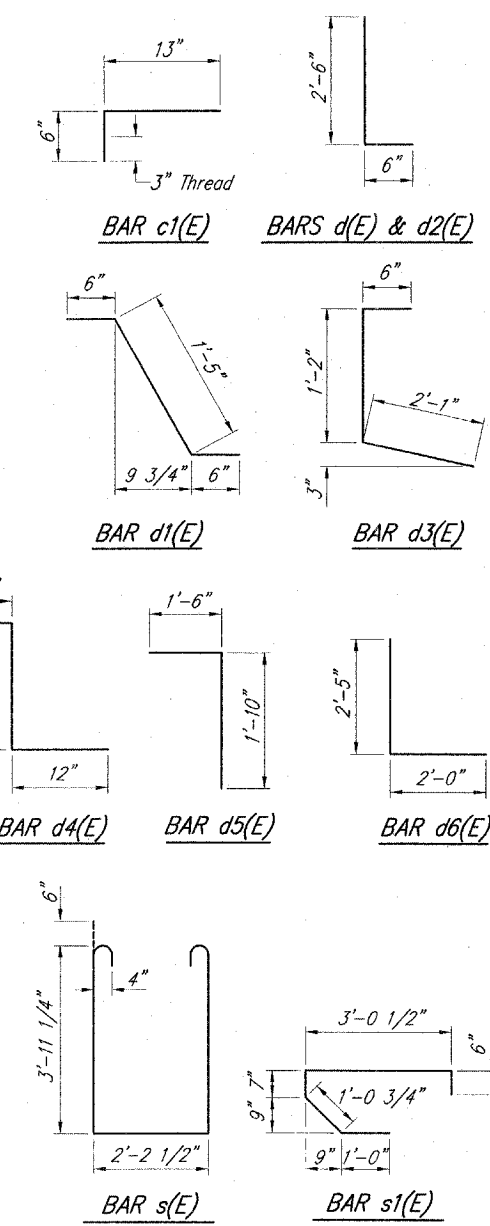
ROUTE NO.	SECTION	COUNTY	TOTAL SHEETS	SHEET NO.
F.A.U. 8966	SEC. 97-00208-01-GS	MADISON	34	18
FED. ROAD DIST. NO. 7	ILLINOIS	PROJECT		



SECTION THRU MEDIAN
(Looking South)

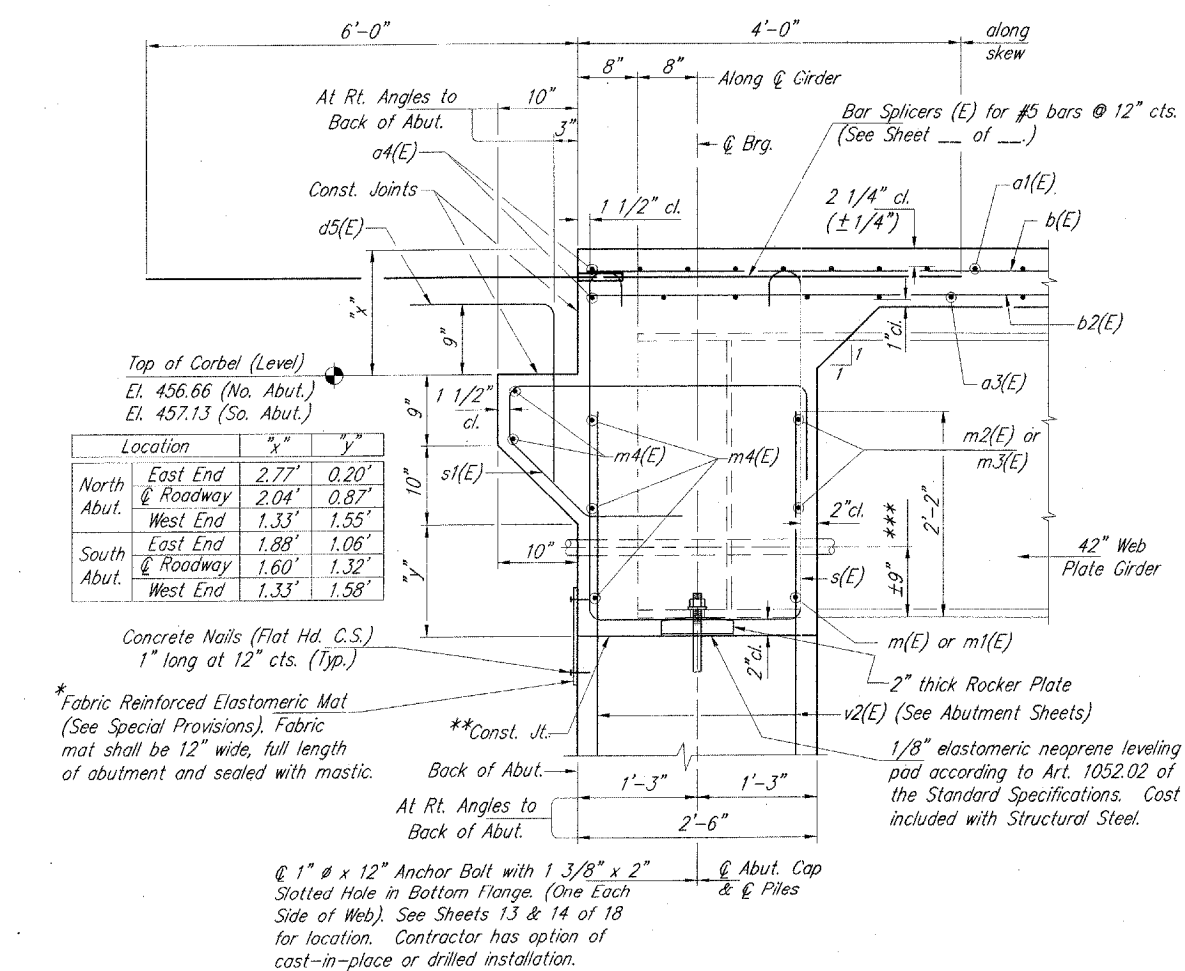


SECTION THRU PARAPET
(Looking South)

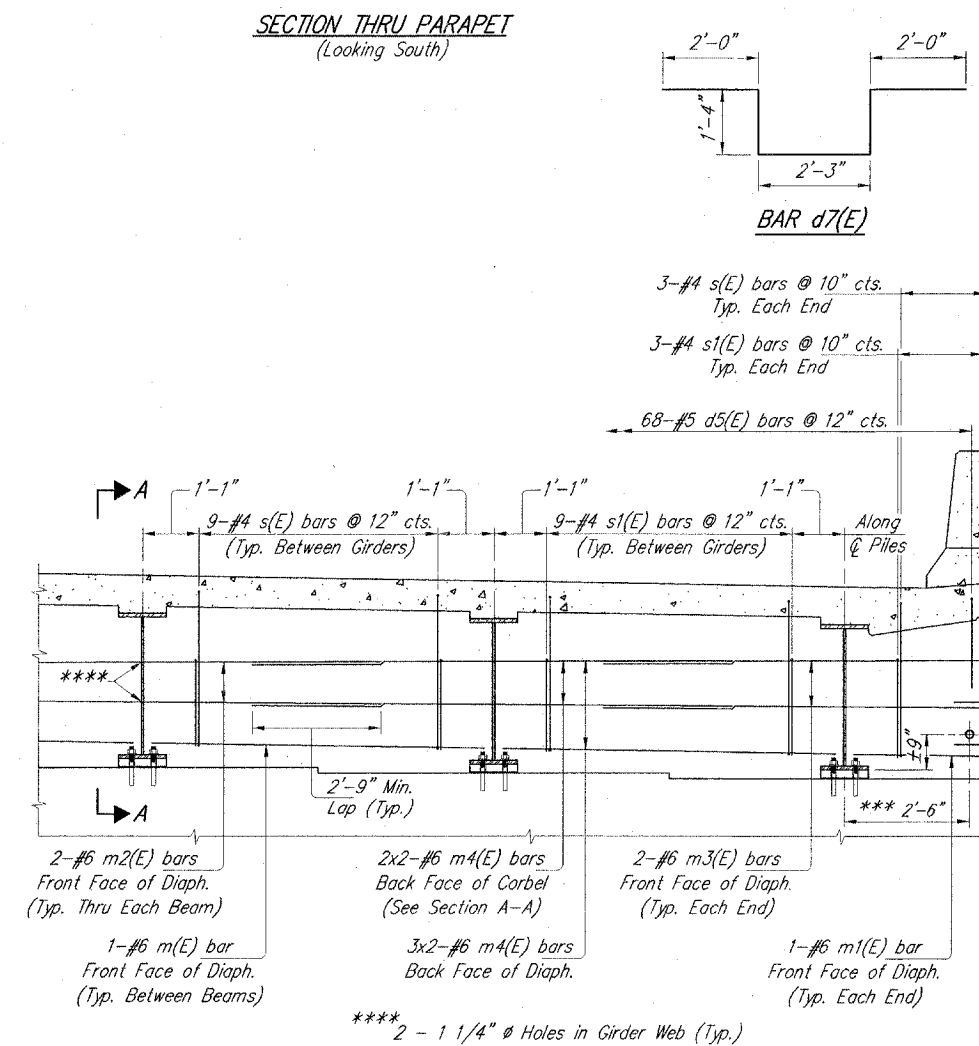


BILL OF MATERIAL SUPERSTRUCTURE

BAR NO.	NO.	SIZE	LENGTH	SHAPE
a(E)	631	#5	30'-2"	
a1(E)	631	#5	35'-2"	
a2(E)	632	#6	4'-0"	
a3(E)	902	#5	31'-9"	
a4(E)	12	#5	23'-6"	
b(E)	710	#5	27'-10"	
b1(E)	256	#6	29'-8"	
b2(E)	792	#5	25'-5"	
c(E)	263	#5	3'-0"	
c1(E)	528	#5	1'-7"	
d(E)	576	#5	3'-0"	
d1(E)	564	#5	2'-5"	
d2(E)	528	#4	3'-0"	
d3(E)	528	#4	3'-9"	
d4(E)	12	#5	2'-10"	
d5(E)	136	#5	3'-4"	
d6(E)	3	#6	4'-5"	
d7(E)	5	#6	8'-11"	
e(E)	48	#4	15'-0"	
e1(E)	60	#4	16'-8"	
e2(E)	72	#4	19'-0"	
e3(E)	16	#8	15'-0"	
e4(E)	28	#8	31'-3"	
e5(E)	16	#5	15'-0"	
e6(E)	12	#5	29'-8"	
e7(E)	16	#5	30'-1"	
m(E)	12	#6	9'-10"	
m1(E)	4	#6	2'-10"	
m2(E)	20	#6	12'-11"	
m3(E)	8	#6	9'-6"	
m4(E)	20	#6	35'-1"	
s(E)	120	#4	11'-1"	
s1(E)	120	#4	5'-9"	



SECTION A-A AT ABUTMENT
(At Rt. Angles to Abutment)



PARTIAL ELEVATION OF DIAPHRAGM AT ABUTMENT

* Included in the cost of Concrete Superstructure.
 ** Bonded Construction Joints in accordance with Article 503.09 (a)(2) of the Std. Specifications.
 *** Locate 3" P.V.C. Sleeves in Abutments for conduit. Seal 2" Conduit in 3" Sleeve with Silicone Joint Sealer. Cost included with Concrete Superstructure.

Concrete in diaphragm is included with Concrete Superstructure.

Concrete Superstructure	Cu. Yd.	546.2
Reinforcement Bars, Epoxy Coated	Lbs.	147130
Bar Splicer	Each	122

Reinforcement bars designated (E) shall be epoxy coated.

Corporate License Number 184-001-084
SUPERSTRUCTURE DETAILS - SHEET 2
 INDIANA AVENUE over NORFOLK SOUTHERN RAILWA
 SEC. 97-00208-01-GS
 STATION 125+20.00
 ALTON, ILLINOIS
 STR. NO. 060-6110