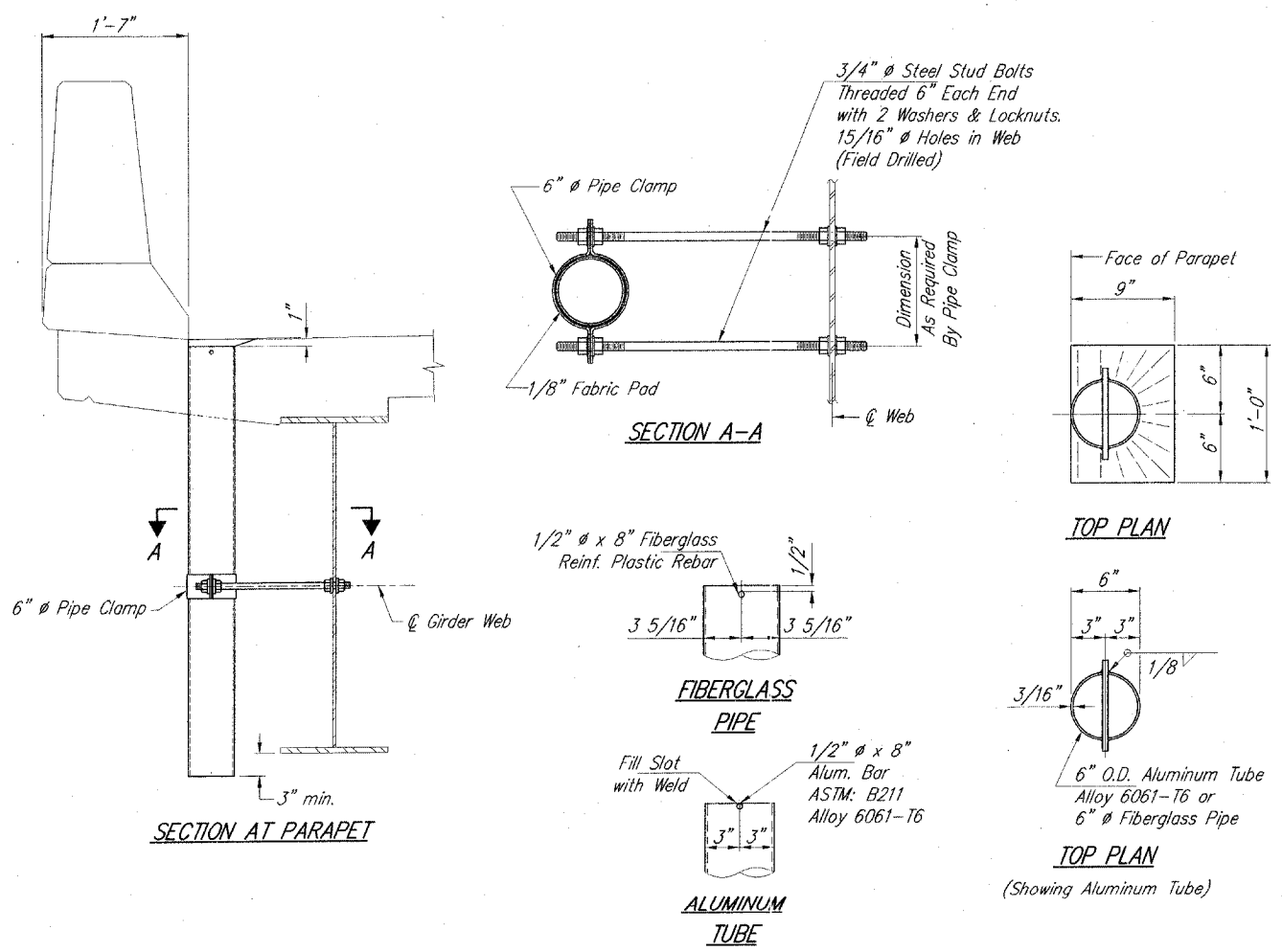
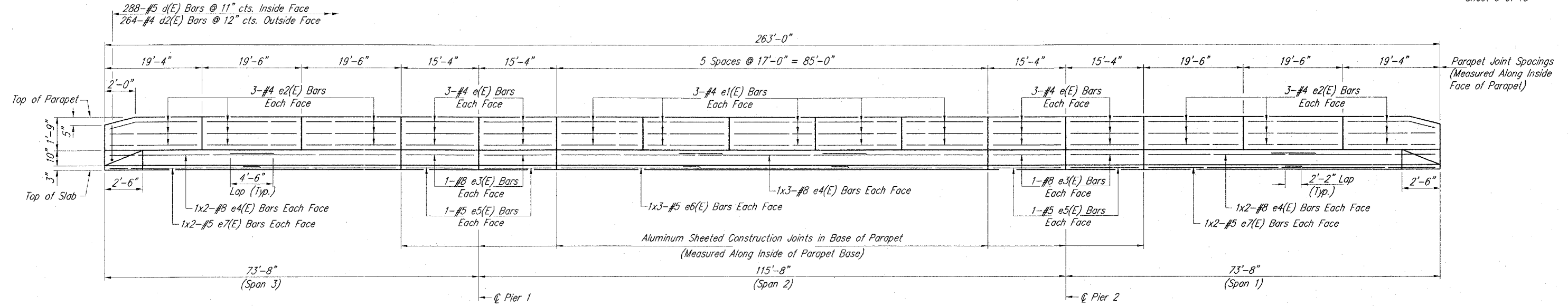


ROUTE NO.	SECTION	COUNTY	TOTAL SHEETS	SHEET NO.
F.A.U.8966	SEC. 97-00208-01-GS	MADISON	34	19
FED. ROAD DIST. NO. 7	ILLINOIS	PROJECT		



Notes:

The exterior surfaces of the floor drains shall be painted with the finish coat as specified in the special provisions for Cleaning and Painting New Metal Structures. The exterior surface of the drains shall be cleaned according to Steel Structures Painting Council's Spec. SSPC-SPI prior to painting.

Fiberglass Pipe shall conform to ASTM: D2996, with short-time rupture strength hoop tensile stress of 30,000 p.s.i. minimum.

Corporate License Number 184-001-084

SUPERSTRUCTURE DETAILS - SHEET 1

INDIANA AVENUE over NORFOLK SOUTHERN RAILWA

SEC. 97-00208-01-GS

STATION 125+20.00

ALTON, ILLINOIS

STR. NO. 060-6110

Copyright Hanson Professional Services Inc. 2005

HANSON

Hanson Professional Services Inc.

JOB NO. 95S1008

DATE 05/12/05

LAYOUT D.F. 11/5/97
 DRAWN D.A.N. 11/24/97
 REVIEWED D.F. 3/31/05
 SUPERSTRUCTURE DETAILS - SHEET 1
 INDIANA AVENUE OVER NORFOLK SOUTHERN RAILWAY
 SEC. 97-00208-01-GS
 STATION 125+20.00
 ALTON, ILLINOIS
 STR. NO. 060-6110