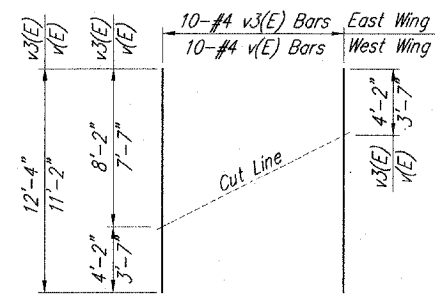
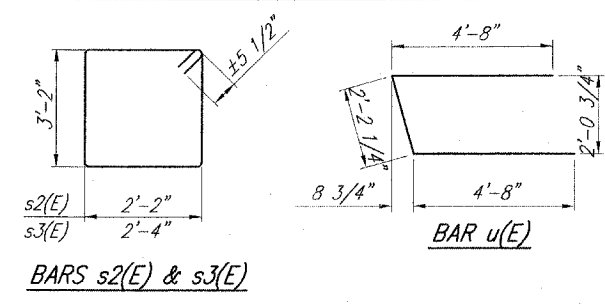
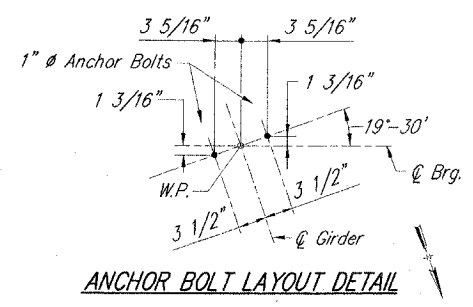
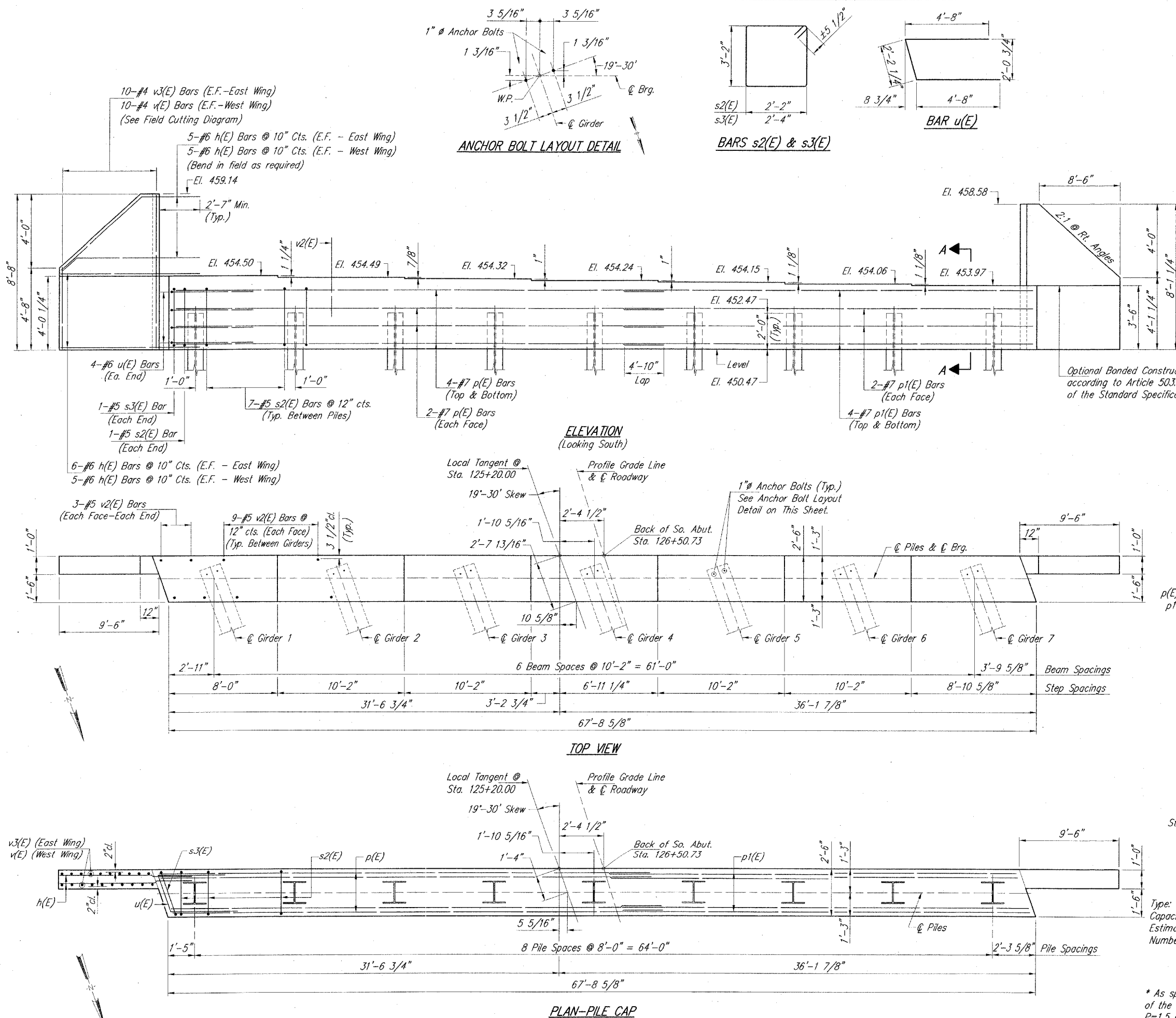
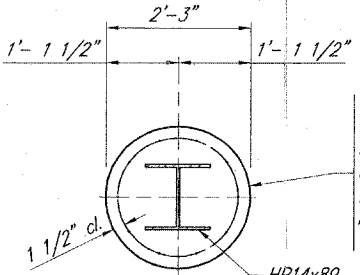


ROUTE NO.	SECTION	COUNTY	TOTAL SHEETS	SHEET NO.
F.A.U. 8966	SEC. 97-00208-01-GS	MADISON	34	2
FED. ROAD DIST. NO. 7		ILLINOIS	PROJECT	



**FIELD CUTTING DIAGRAM**

Order v(E) & v3(E) bars full length. Cut as shown and use remainder of bars in opposite face.



**SECTION B-B**

**NOTES:**

All edges shall have standard 3/4" chamfers except as noted.

Pour steps monolithically with cap.

Bars indicated thus: 1x3 indicates 1 line with 3 lengths per line.

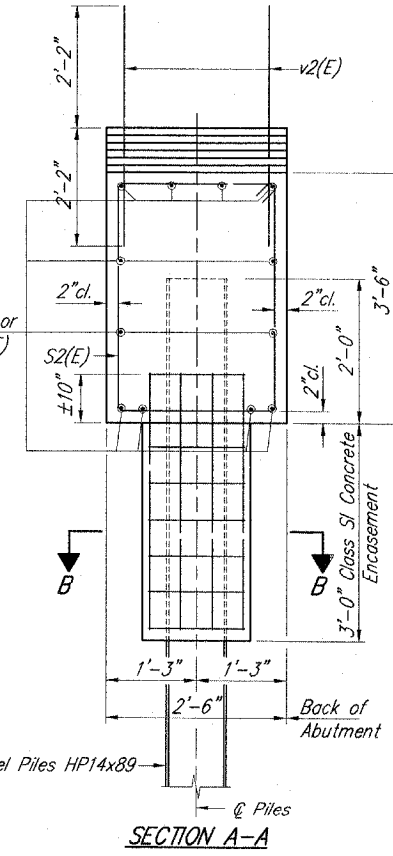
Welded wire fabric 6x6-W4.0xW4.0 weighing 58#/100 sq. ft. The cost of excavation, concrete encasement and reinforcement is included with furnishing piles. Forms for encasement may be omitted when soil conditions will permit.

**BILL OF MATERIAL SOUTH ABUTMENT**

Bar	No.	Size	Length	Shape
h(E)	42	#6	12'-0"	
p(E)	12	#7	39'-6"	
p1(E)	12	#7	32'-9"	
s2(E)	60	#5	11'-7"	□
s3(E)	2	#5	11'-11"	□
u(E)	8	#6	11'-7"	
v(E)	10	#4	11'-2"	
v2(E)	120	#5	4'-4"	
v3(E)	10	#4	12'-4"	

Concrete Structures	Cu. Yd.	28.1
Reinf. Bars (Epoxy Coated)	Pound	4250
Furn. Steel Piles HP14x102	Foot	1152
Driving Steel Piles	Foot	1152
Metal Shoes	Each	9
Structure Excavation	Cu. Yd.	49

Reinforcement bars designated (E) shall be epoxy coated.



**SECTION A-A**

**PILE DATA**

Type: HP14x102 w/ Metal Shoes  
Capacity: Drive to Refusal\*  
Estimated Length: 144 Ft.  
Number Required: 9

\* As specified in article 512.10(g)(3) of the Standard Specifications except P=1.5 (12000 x sq. in. pile cross section)

Corporate License Number 184-001-084

**SOUTH ABUTMENT**  
INDIANA AVENUE over NORFOLK SOUTHERN RAILWAY  
SEC. 97-00208-01-GS  
STATION 125+20.00  
ALTON, ILLINOIS  
STR. NO. 060-6110



LAYOUT: E.H. 1/22/98  
 DRAWN: D.A.N. 2/19/98  
 PREPARED: E.H. 3/31/05  
 BRIDGE 05-12-05 14-SABUT.DWG MAY 13, 2005 7:38AM DAG