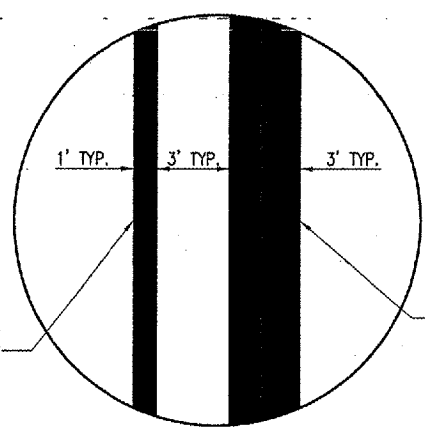
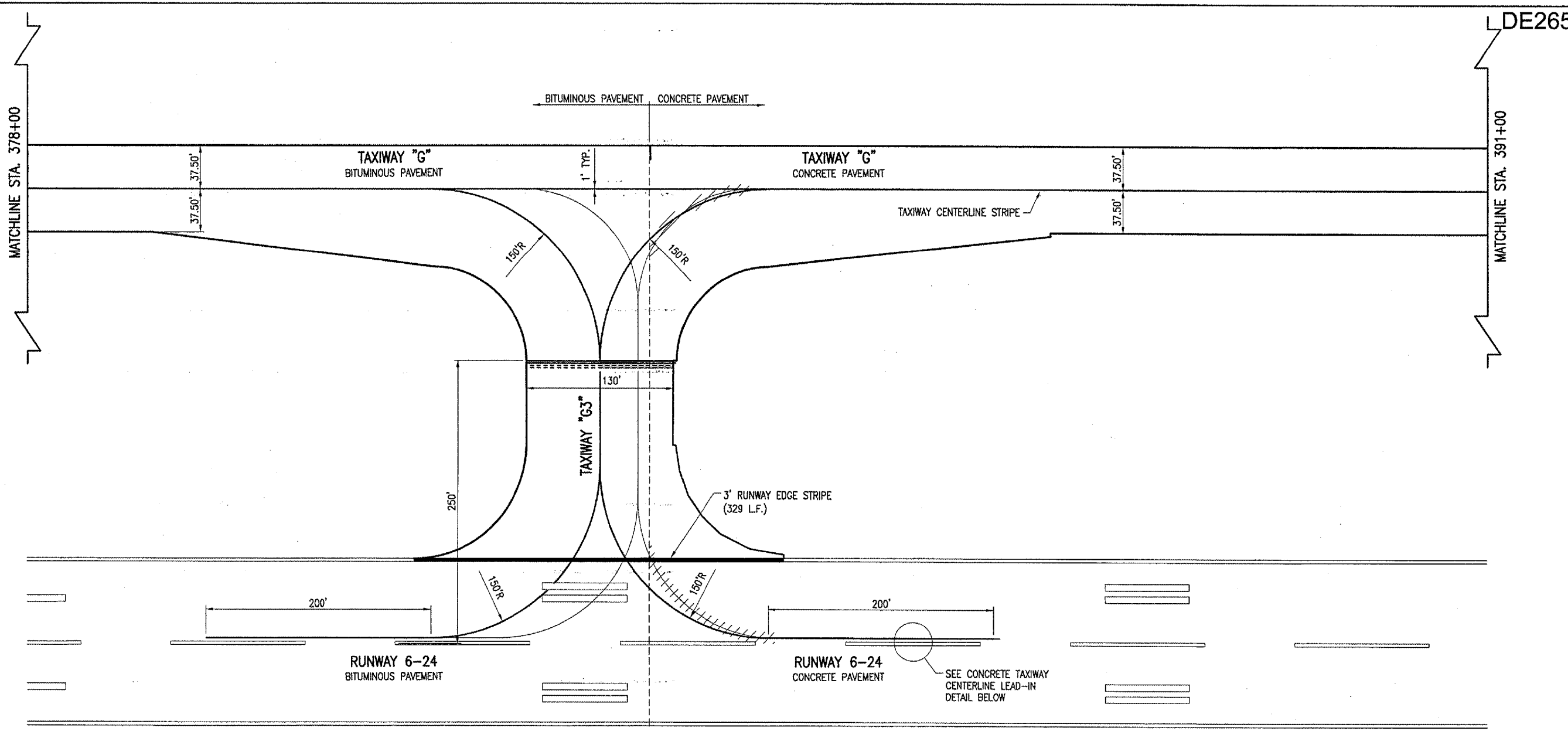
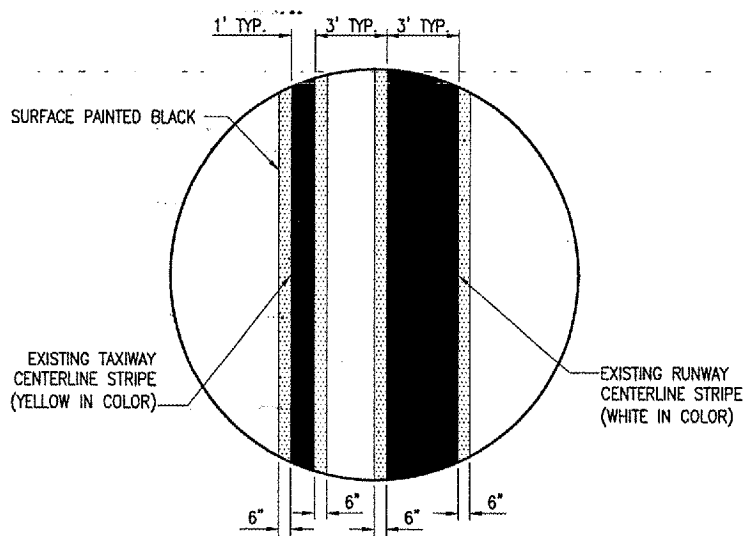


JUN 10, 2005 2:37 PM CCC
 I:\AIRPORTS\DECATUR\902-04TXD\AIRPORT SHEETS\CONTRACT-2\R-151MRK.DWG - STA. 378+00 TO 391+00

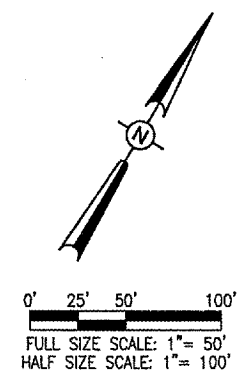


BITUMINOUS TAXIWAY CENTERLINE LEAD-IN DETAIL
 "NOT TO SCALE"



CONCRETE TAXIWAY CENTERLINE LEAD-IN DETAIL
 "NOT TO SCALE"

- LEGEND**
- EXISTING PAVEMENT
 - PROPOSED PAVEMENT
 - EXISTING MARKING
 - PROPOSED MARKING
 - MARKING TO BE REMOVED



DATE	REVISION	BY	
DECATUR, ILLINOIS I.L. PROJ.: DEC-3414 A.I.P. PROJ.: 3-17-0033-28			
I&E Project No. 802-04TXD Drawings R-151MRK.DWG Scale 1"=50' Date 03/18/05	LAYOUT CCC 03/18/05 DRAWN CCC 03/18/05 REVIEWED WJM 06/07/05	HANSON Engineers, Architects, Scientists 1525 South Sixth Street Springfield, Illinois 62703-2888 Offices Nationwide	
TAXIWAY G WIDENING PHASE II		PROPOSED MARKING PLAN STA. 378+00 TO STA. 391+00	
49			
49 of 110 sheets			