

REVISION	DATE

BY  
DATE  
PROJECT: 3-17-0417-B6  
A.I.P. PROJ.: 163-3431  
IL PROJ.: 163-3431

FILE PROJECT: 818-05TX	DATE: 07/14/2005, 11:25 AM
FILE NAME: R-110-ELEC.dgn	SCALE: AS SHOWN
LAYOUT: JEO	03/14/05
DRAWN: JEO	03/21/05
REVIEWED: CAH	05/17/05



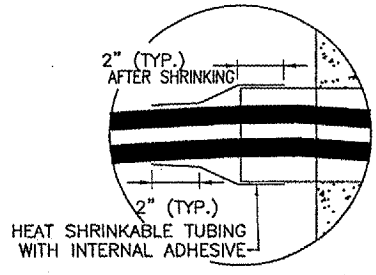
PROPOSED ELECTRICAL DETAILS  
PARALLEL TAXIWAY "B"  
TAXIWAY "B"

THE LOCATION OF UNDERGROUND UTILITIES AS INDICATED ON THE PLANS HAS BEEN OBTAINED FROM EXISTING RECORDS. NEITHER THE OWNER NOR THE ENGINEER ASSUMES ANY RESPONSIBILITY WHATSOEVER, IN RESPECT TO THE ACCURACY OR SUFFICIENCY OF THE INFORMATION AND THERE IS NO GUARANTEE, EITHER EXPRESSED OR IMPLIED, THAT THE CONDITIONS ARE REPRESENTATIVE OF THOSE TO BE ENCOUNTERED IN THE CONSTRUCTION.

**L-858 SIGN**

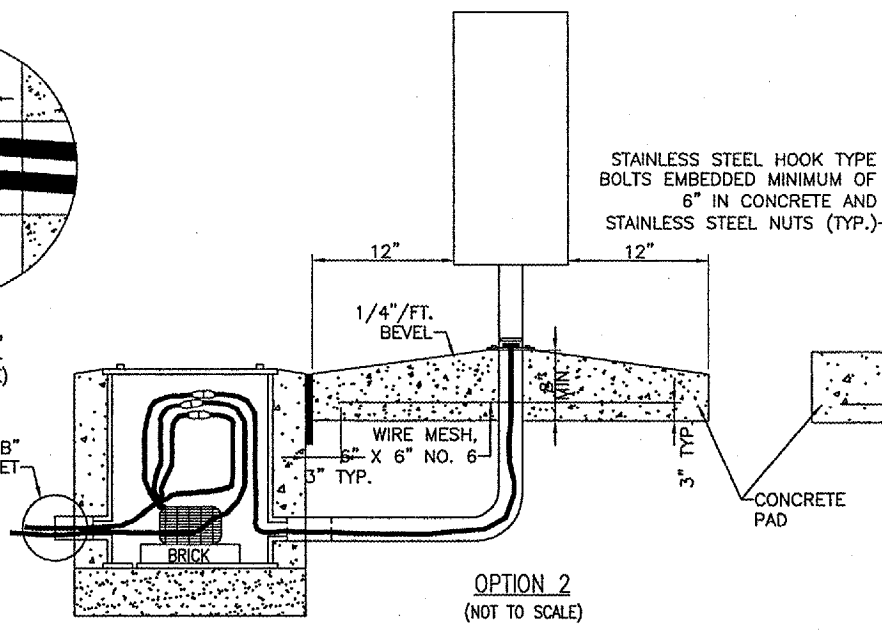
NOTES:  
SEE LIGHTING LAYOUT SHEET(S) FOR SIGN LEGEND, LOCATION, TYPE, SIZE, STYLE, AND CLASS.

NUMBER AND SPACING OF LEGS AS PER MANUFACTURER'S REQUIREMENTS.

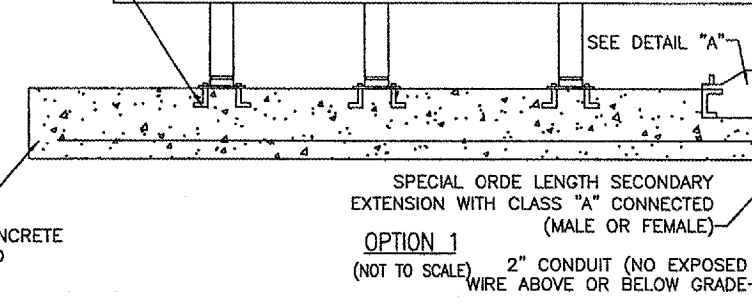


**DETAIL "B"**  
(NOT TO SCALE)

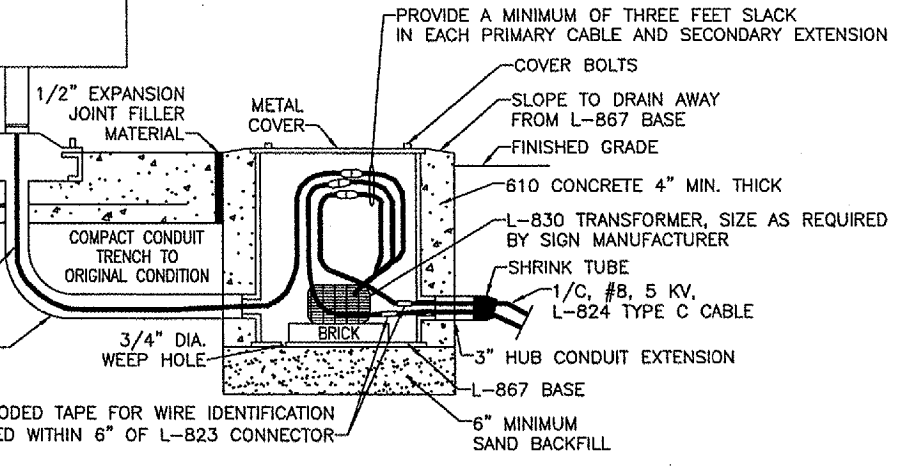
SEE DETAIL "B" ON THIS SHEET



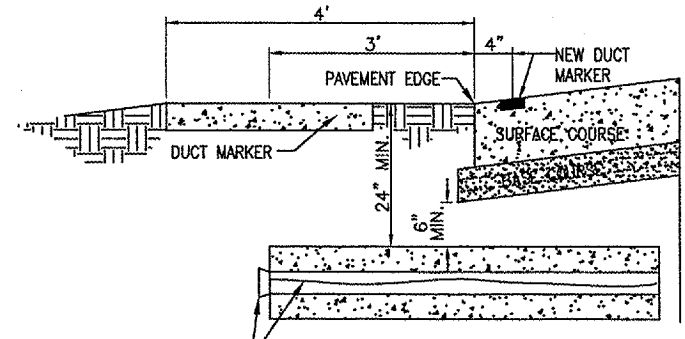
**OPTION 2**  
(NOT TO SCALE)



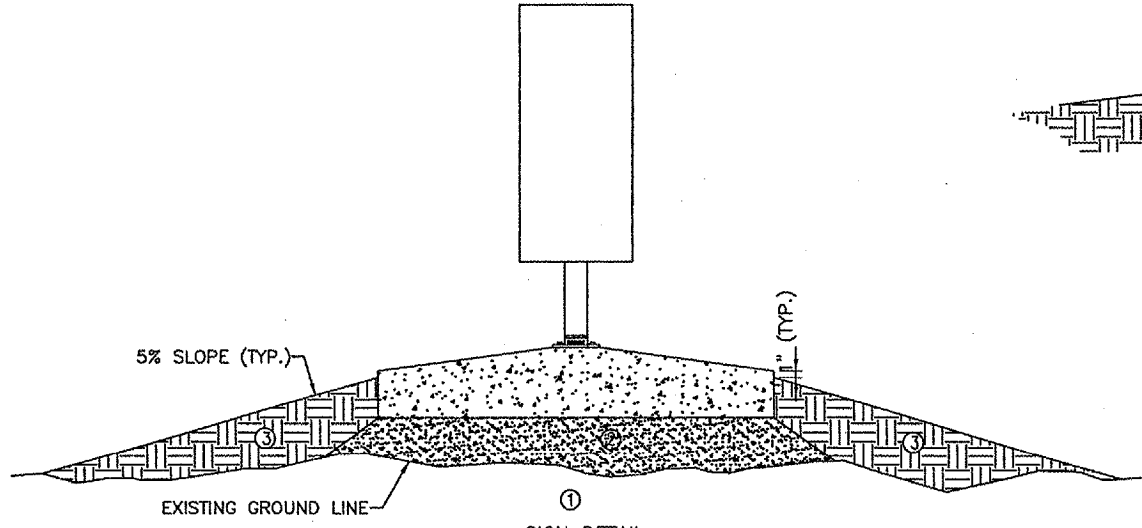
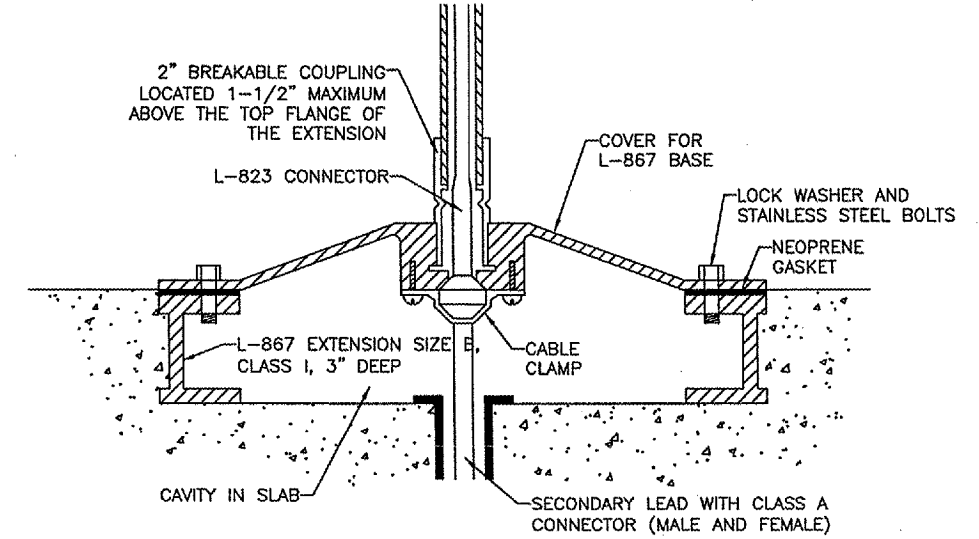
**OPTION 1**  
(NOT TO SCALE)



**DETAIL "A"**  
(NOT TO SCALE)



**UNDERGROUND ELECTRICAL DUCT**  
(NOT TO SCALE)

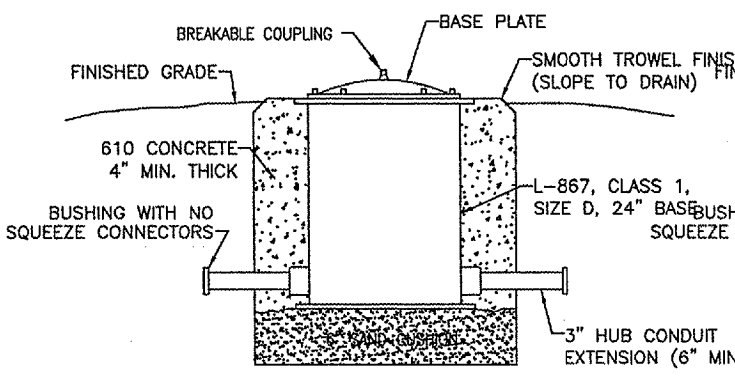


**SIGN DETAIL**  
(NOT TO SCALE)

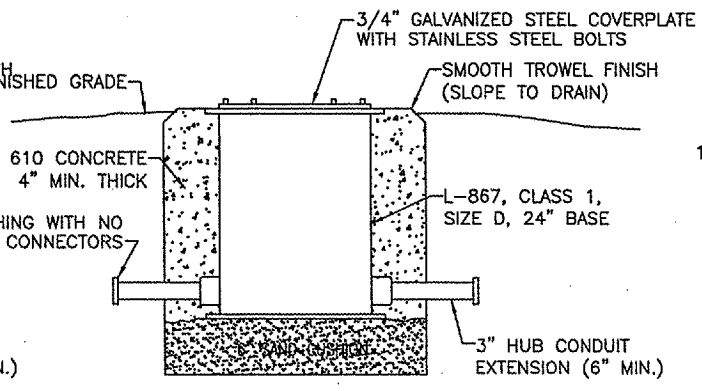
- ① EXISTING SOD TO BE STRIPPED AND REMOVED
- ② SAND BACKFILL, VARIABLE DEPTH
- ③ PROPOSED TOPSOIL BACKFILL MATERIAL

**GENERAL NOTES**

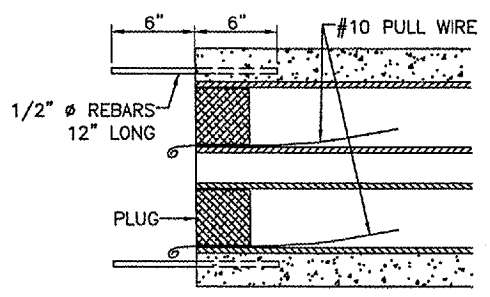
SEE LIGHTING LAYOUT SHEET FOR SIGN LEGEND, LOCATION, TYPE, SIZE, STYLE, AND CLASS.



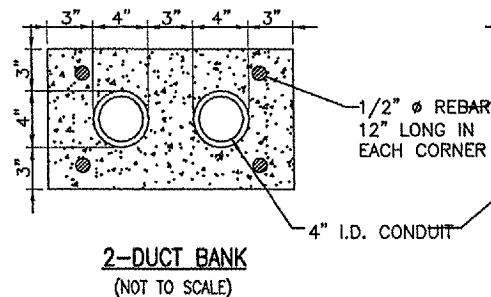
**REIL BASE DETAIL**  
(NOT TO SCALE)



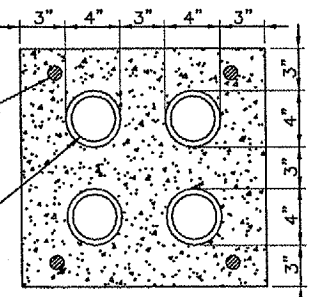
**SPLICE CAN DETAIL**  
(NOT TO SCALE)



**TYPICAL SECTION**  
(NOT TO SCALE)



**2-DUCT BANK**  
(NOT TO SCALE)



**4-DUCT BANK**  
(NOT TO SCALE)

I:\airports\MTSterling\818-05TX\Airport\Sheets\R-110-ELEC.dgn 07/14/2005, 11:25 AM Bsk