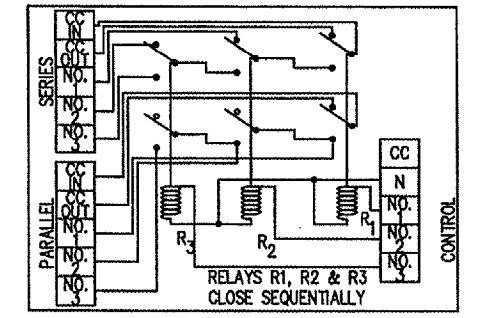
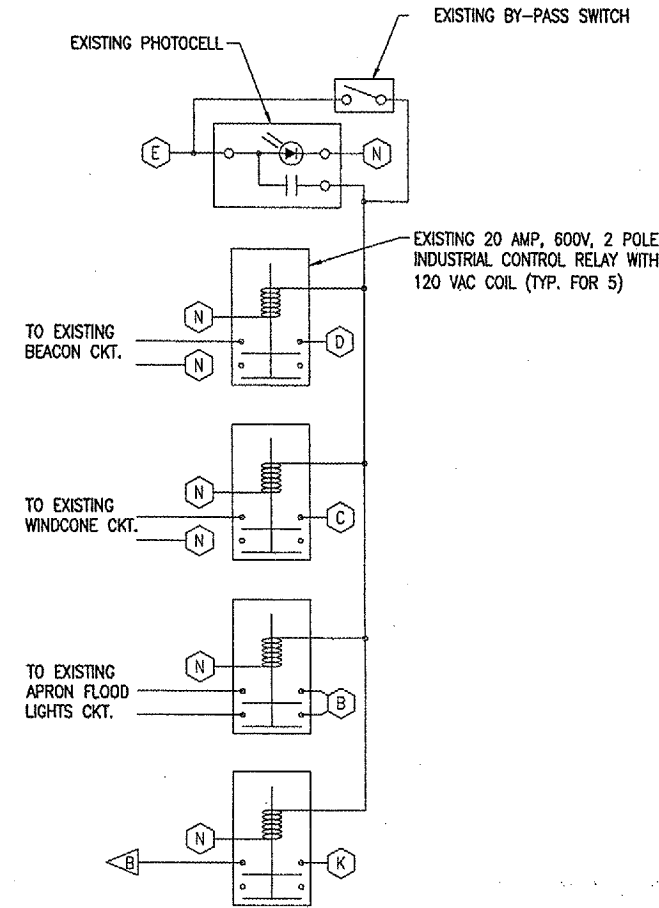
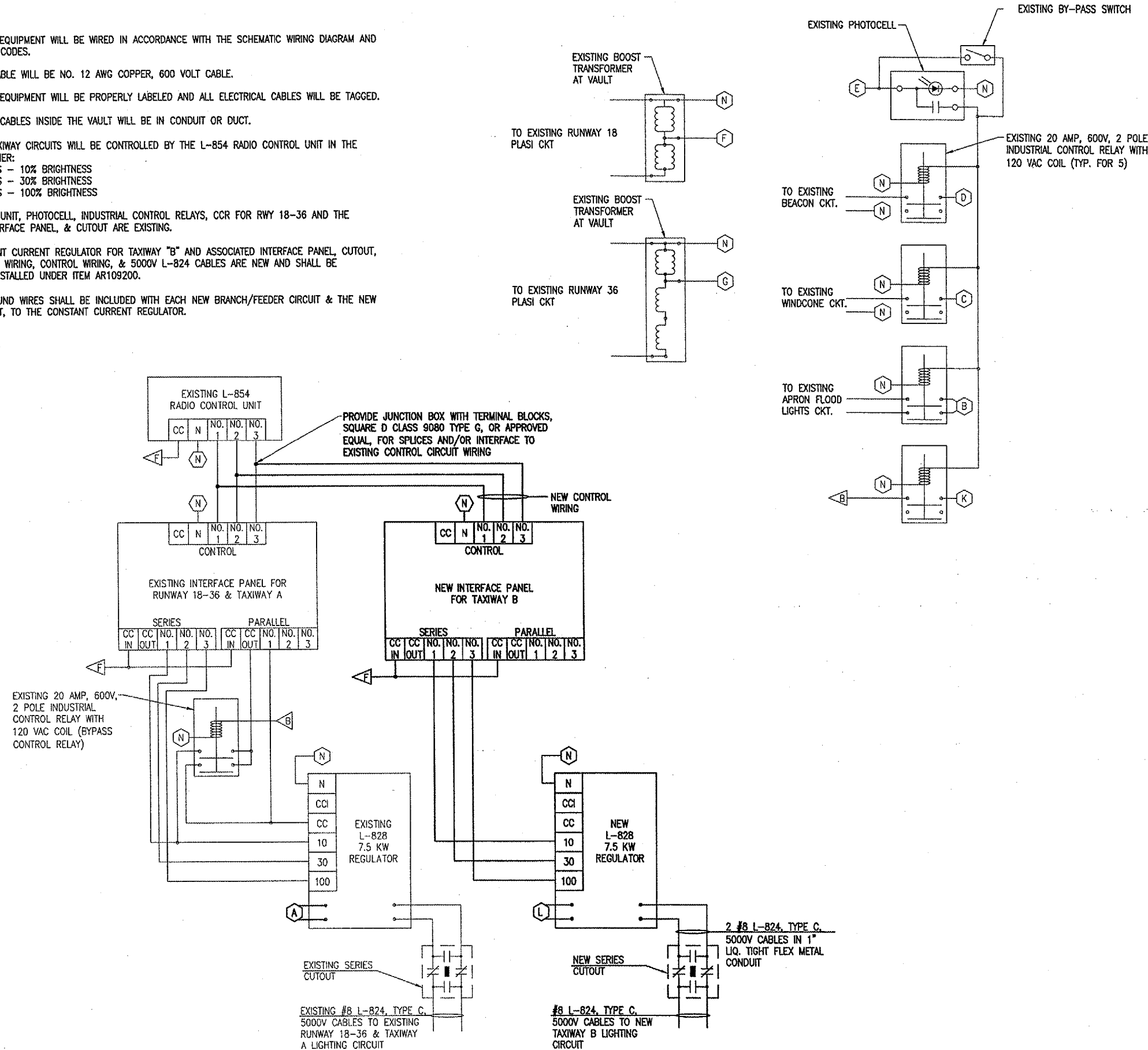


NOTES

1. ALL ELECTRICAL EQUIPMENT WILL BE WIRED IN ACCORDANCE WITH THE SCHEMATIC WIRING DIAGRAM AND ALL APPLICABLE CODES.
2. ALL CONTROL CABLE WILL BE NO. 12 AWG COPPER, 600 VOLT CABLE.
3. ALL ELECTRICAL EQUIPMENT WILL BE PROPERLY LABELED AND ALL ELECTRICAL CABLES WILL BE TAGGED.
4. ALL ELECTRICAL CABLES INSIDE THE VAULT WILL BE IN CONDUIT OR DUCT.
5. THE RUNWAY/TAXIWAY CIRCUITS WILL BE CONTROLLED BY THE L-854 RADIO CONTROL UNIT IN THE FOLLOWING MANNER:
 3 CLICKS - 10% BRIGHTNESS
 5 CLICKS - 30% BRIGHTNESS
 7 CLICKS - 100% BRIGHTNESS
6. RADIO CONTROL UNIT, PHOTOCELL, INDUSTRIAL CONTROL RELAYS, CCR FOR RWY 18-36 AND THE RESPECTIVE INTERFACE PANEL, & CUTOFF ARE EXISTING.
7. 7.5 KW CONSTANT CURRENT REGULATOR FOR TAXIWAY "B" AND ASSOCIATED INTERFACE PANEL, CUTOFF, 240 VAC POWER WIRING, CONTROL WIRING, & 5000V L-824 CABLES ARE NEW AND SHALL BE FURNISHED & INSTALLED UNDER ITEM AR109200.
8. EQUIPMENT GROUND WIRES SHALL BE INCLUDED WITH EACH NEW BRANCH/FEEDER CIRCUIT & THE NEW CONTROL CIRCUIT, TO THE CONSTANT CURRENT REGULATOR.

SHEET LEGEND

- (A) PANEL B CKT 1, 3 (RWY 18-36 CCR)
- (B) VAULT PANEL A CKT 2, 4 (APRON FLOOD LIGHTS)
- (C) VAULT PANEL A CKT 9 (WIND CONE)
- (D) VAULT PANEL A CKT 11 (BEACON)
- (E) VAULT PANEL A CKT 12 (PHOTOCELL)
- (F) VAULT PANEL A CKT 13 (RADIO CONTROL)
- (G) VAULT PANEL A CKT 8 (RWY 18 PLASI)
- (H) RESERVED
- (I) RESERVED
- (J) RESERVED
- (K) VAULT PANEL A CKT 15 (REGULATOR BYPASS RELAY)
- (L) PANEL B CKT 5, 7 (TXY B CCR)
- (M) RESERVED
- (N) N DESIGNATES NEUTRAL FROM THE RESPECTIVE PANEL THAT POWERS THE DEVICE. FOR CONTROL CIRCUIT INPUTS TO CCR'S N SHALL BE FROM THE RESPECTIVE INTERFACE PANEL CIRCUIT NEUTRAL CONNECTION.



TYP. INTERFACE PANEL DETAIL

AIRFIELD LIGHTING SCHEMATIC WIRING DIAGRAM

JUL 14, 2005 11:56 AM BAK C:\AIRPORTS\MTSTERLING\818-05TX\AIRPORT\SHETS\E-603.DWG - Layout1

	BY				
	REVISION				
	DATE				
MT. STERLING MUNICIPAL AIRPORT MT. STERLING, ILLINOIS					
A.I.P. PROJ.: 3-17-0147-85 I.L. PROJ.: 63-3323					
I.E.L. Project No. 818-04RWYD Drawing E-603.DWG Scale N/A Date 03/21/05					
LAYOUT	KNL	03/14/05			
DRAWN	MV	03/21/05			
REVIEWED	CAF	05/17/05			
HANSON Professional Services Inc. 1525 South Sixth Street Springfield, Illinois 62705-2886 Office Nationwide					
PARALLEL TAXIWAY TAXIWAY "B" AIRFIELD LIGHTING WIRING SCHEMATIC					
34					
34 of 57 sheets					