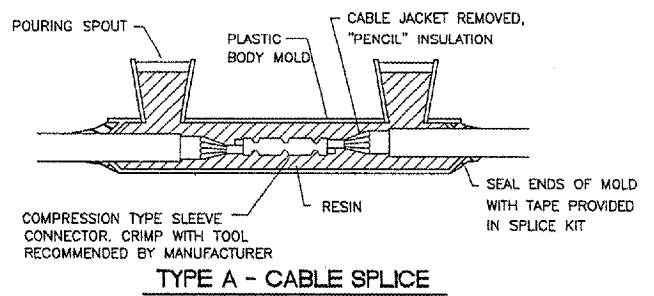
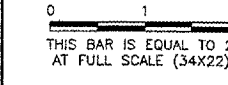
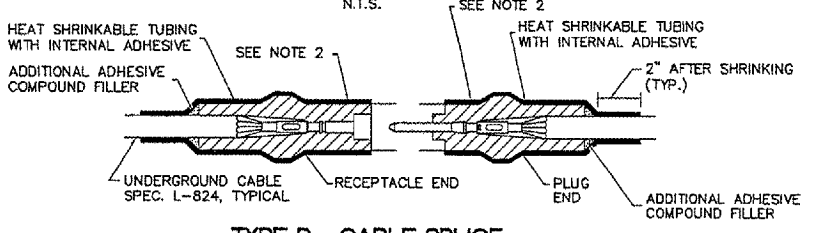


REVISIONS		
NUMBER	BY	DATE



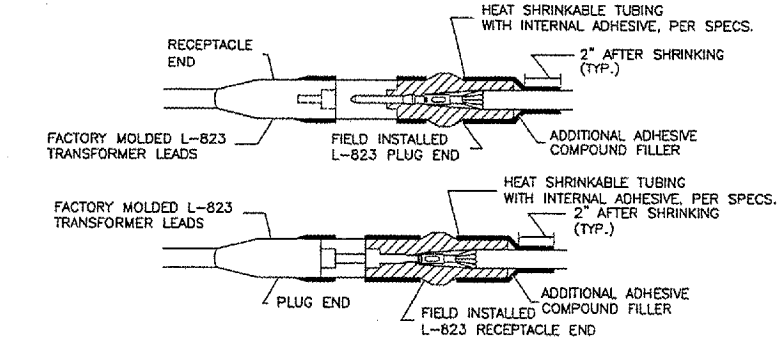
TYPE A - CABLE SPLICE

FOR SPLICES IN HOMERUNS AND FOR EXTENSIONS TO EXISTING CABLES ONLY
 N.T.S.



TYPE B - CABLE SPLICE

FOR SPLICES FOR USE AT JUNCTION OF HOMERUN WITH LOOP CIRCUIT
 N.T.S.

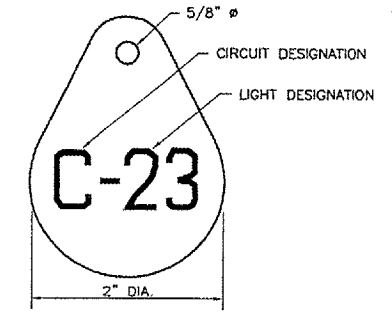


TYPE C AND D - CABLE SPLICE

FOR SPLICES AT RUNWAY/TAXIWAY LIGHTS AND SIGNS
 N.T.S.

NOTES

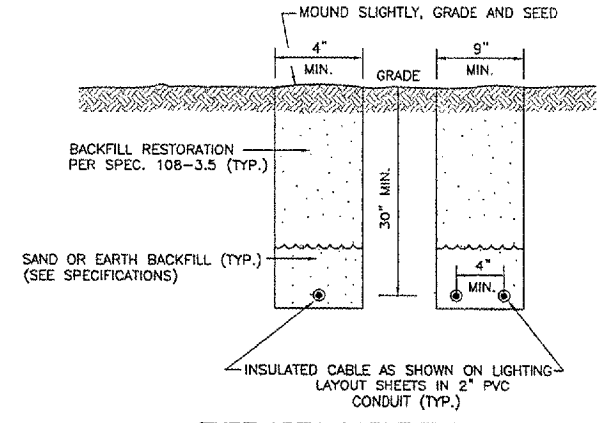
- INSIDE DIAMETER OF CONNECTOR SHALL PROPERLY MATCH THE OUTSIDE DIAMETER OF CABLE.
- WRAP WITH AT LEAST ONE LAYER OF RUBBER OR SYNTHETIC RUBBER TAPE AND ONE LAYER OF PLASTIC TAPE, ONE-HALF LAPPED, EXTENDING AT LEAST 1-1/2 INCHES ON EACH SIDE OF JOINT.
- THE COST OF FURNISHING AND INSTALLING ALL SPLICE MATERIALS SHALL BE INCIDENTAL TO THE ASSOCIATED CABLE ITEMS.
- THE CONTRACTOR SHALL HAVE A MINIMUM OF TWO (2) TYPE A SPLICE KITS ON THE JOB SITE AT ALL TIMES FOR EMERGENCY REPAIRS.



LIGHT IDENTIFICATION DETAIL
 NOT TO SCALE

NOTES:

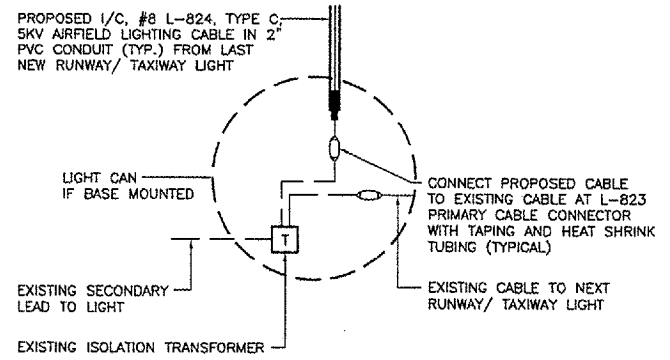
- INSTALL A NONCORROSIVE DISC OF 2" MINIMUM DIAMETER WITH THE NUMBER PERMANENTLY STAMPED, CUT OUT, OR ENGRAVED UNDER THE HEAD OF THE BASE PLATE BOLT OR ATTACHED TO LIGHT FLANGE WITH A SET SCREW.
- NUMERALS SHOWN ARE FOR ILLUSTRATIVE PURPOSES ONLY. ALL EXISTING AND PROPOSED TAXIWAY AND RUNWAY LIGHTS SHALL BE TAGGED AS DIRECTED BY THE RESIDENT ENGINEER. ALL LIGHTS ON EXISTING CIRCUITS THAT HAVE LIGHTING IMPROVEMENTS (PROPOSED OR RELOCATED LIGHTS) SHALL BE RETAGGED.
- COST OF TAGGING LIGHTS SHALL NOT BE PAID FOR SEPARATELY BUT SHALL BE CONSIDERED INCIDENTAL TO THE CONTRACT.



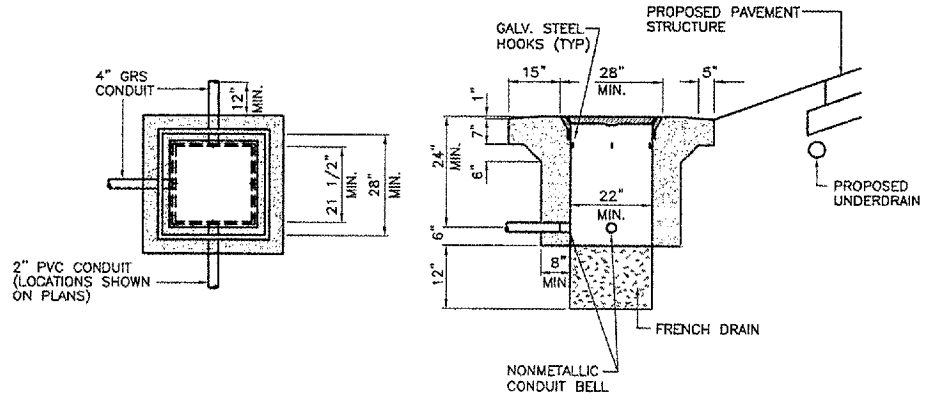
TURF AREA CABLE TRENCH DETAIL
 NOT TO SCALE

NOTES

- TRENCHES WITH MORE THAN 2 CABLES SHALL BE INCREASED 3" IN WIDTH FOR EACH ADDITIONAL CABLE. IF SPECIFIED ON PLANS, TWO PARALLEL TRENCHES MAY BE CONSTRUCTED.
- DEPTH OF TRENCHES SHALL BE AS SHOWN UNLESS OTHERWISE SPECIFIED ON THE PLANS.
- SAND BACKFILL SHALL BE USED IF THE EXISTING SOIL DOES NOT MEET THE BACKFILL REQUIREMENTS.
- ALL DISTURBED SURFACES SHALL BE RESTORED TO THEIR ORIGINAL CONDITION. COST IS INCIDENTAL.



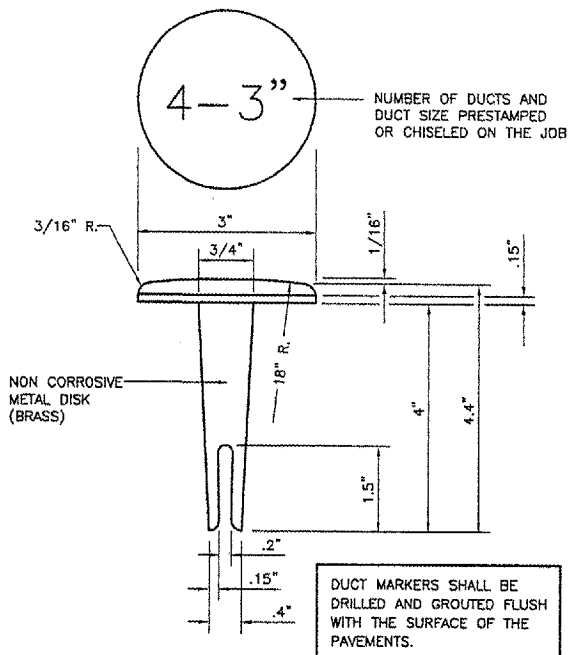
RUNWAY/TAXIWAY LIGHTING CIRCUIT CONNECTION DETAIL
 NOT TO SCALE



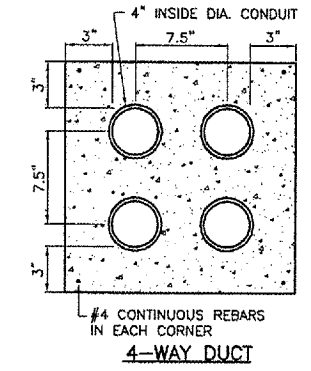
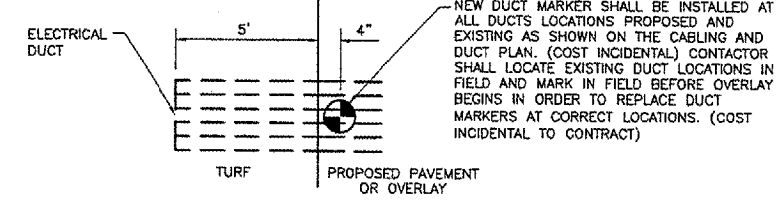
CONCRETE HEAVY DUTY ELECTRICAL HANDHOLE DETAIL
 IDOT STANDARD NO. 841001
 NOT TO SCALE

NOTE

- CONDUIT ENTRANCES AND NUMBER OF CONDUITS SHALL BE AS SHOWN ON SITE PLAN VIEW.
- FRAME AND COVER SHALL BE NEENAH R6662-HH OR EQUAL.
- COVER SHALL BE STAMPED "ELECTRICAL".



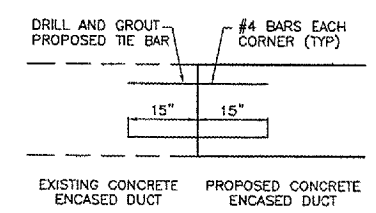
DUCT MARKER DETAIL
 NOT TO SCALE



CONCRETE ENCASED DUCT BANK
 NOT TO SCALE

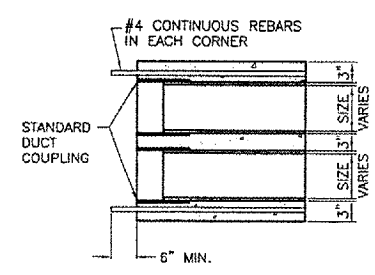
NOTES:

- DIMENSIONS ARE MINIMUM.
- CONCRETE SHALL CONFORM TO ITEM 610.
- ALL CONDUIT SHALL BE SCHEDULE 40 PVC.
- TOP OF CONCRETE ENCASEMENT IN TURF AREAS SHALL NOT BE LESS THAN 24" BELOW FINISHED GRADE.
- 4" SPLIT DUCT SHALL BE CONCRETE ENCASED WITH 3" MIN. CONCRETE SURROUNDING 4" CONDUIT. COST INCIDENTAL TO SPLIT DUCT.



EXTENSION OF EXISTING DUCT
 NO SCALE

NOTE: COST OF CONNECTION SHALL BE CONSIDERED INCIDENTAL TO PROPOSED DUCT.



CONCRETE ENCASED DUCT END DETAIL
 NO SCALE

**PALWAUKEE MUNICIPAL AIRPORT
 WHEELING/PROSPECT HEIGHTS, ILLINOIS
 CONSTRUCT TAXIWAY CHARLIE AND EAST QUADRANT APRON
 ELECTRICAL DETAILS 1**

© Copyright CMT, Inc.
CMT
 CRAWFORD, MURPHY & TILLY, INC.
 CONSULTING ENGINEERS
 License No. 04-000618

DESIGN BY:	ARM
DRAWN BY:	JRO
CHECKED BY:	
APPROVED BY:	
DATE:	06/24/05
JOB No:	04290-03
ILLINOIS PROJECT:	PWK-3481
A.I.P. PROJECT:	3-17-0018-BXX
SHEET	25 OF 38 SHEETS