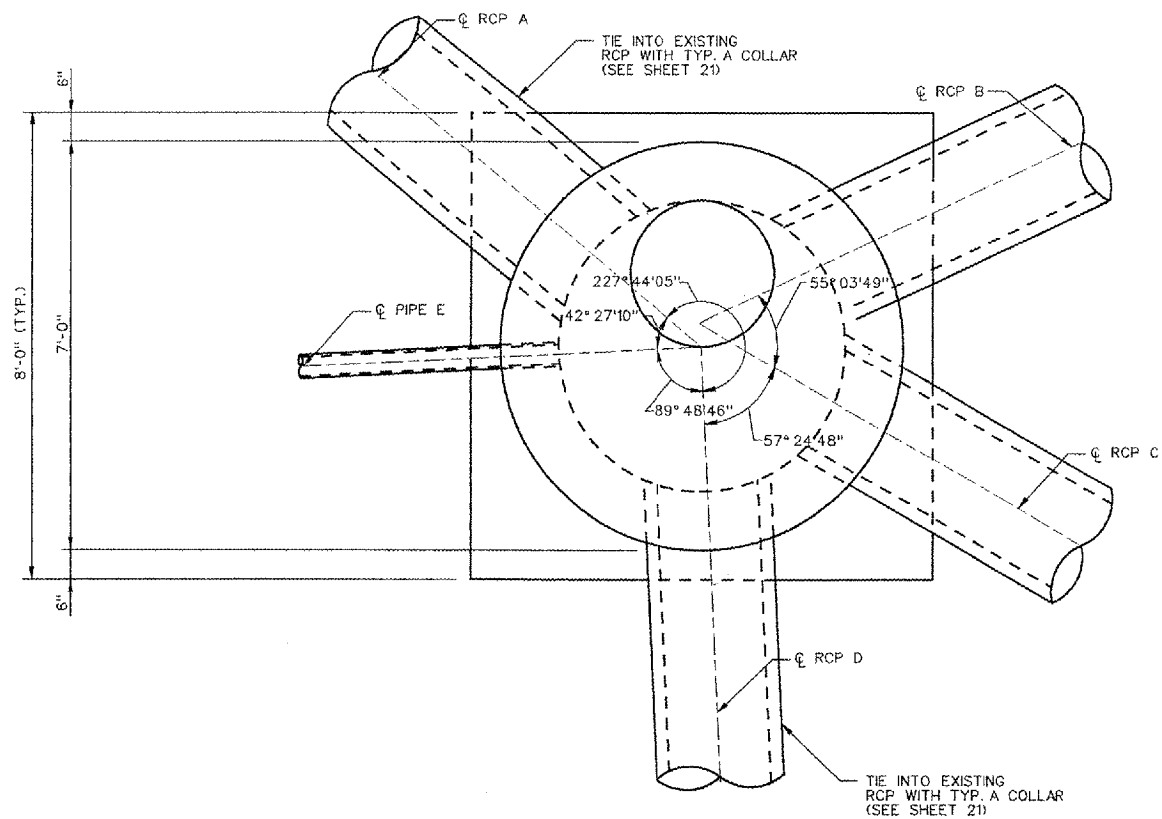
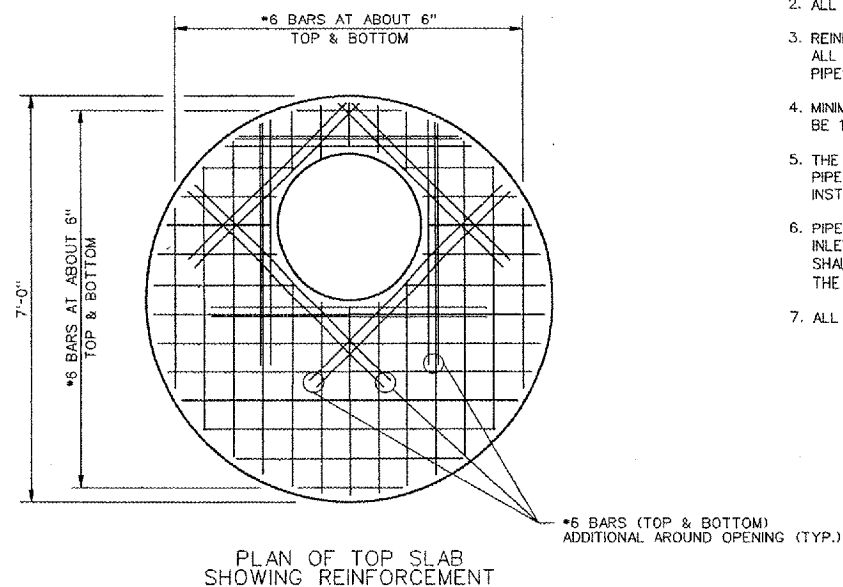
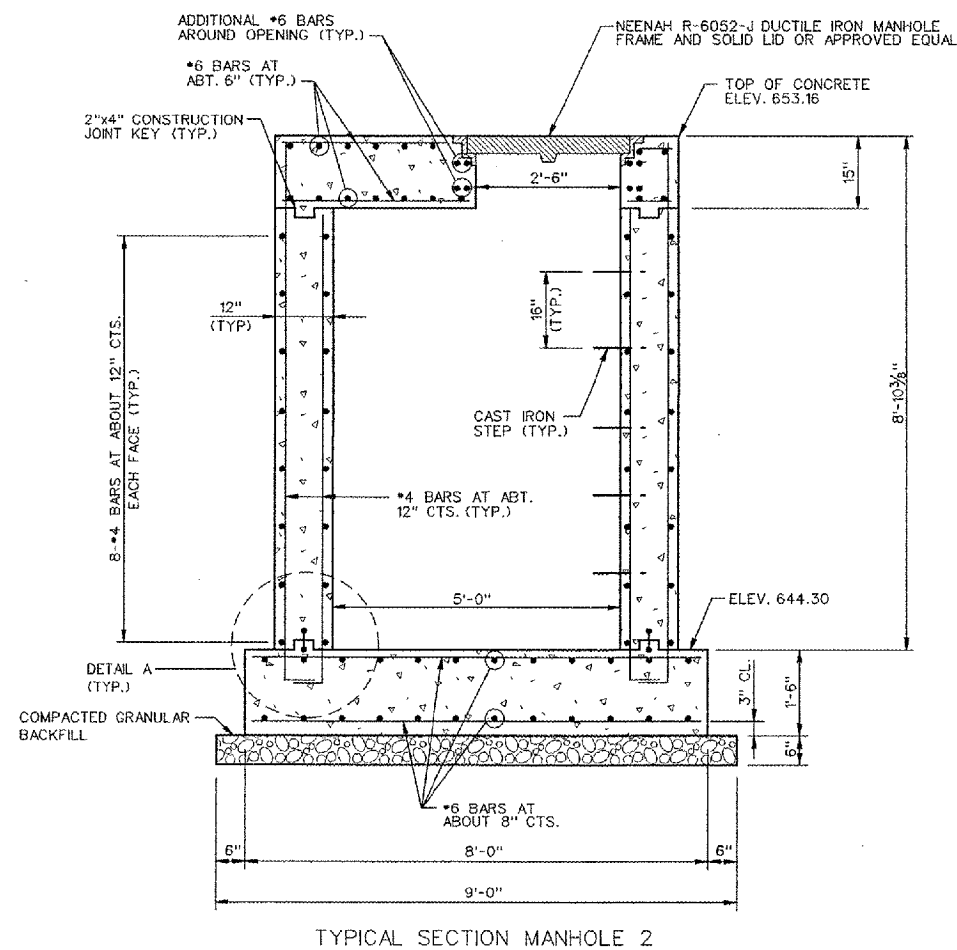
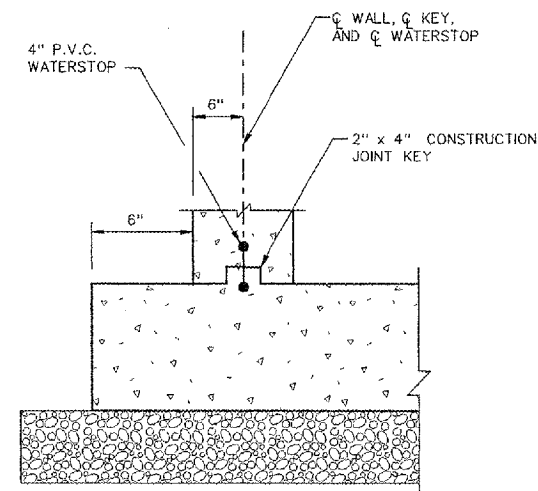


NUMBER	BY	DATE



PIPE	SIZE	INVERT ELEV.
A	24"	644.55
B	18"	644.60
C	18"	644.60
D	21"	644.60
E	4"	646.65

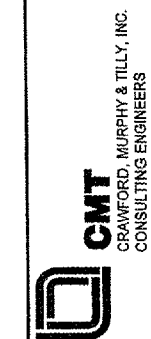


NOTES:

1. CAST IN PLACE CONCRETE SHALL HAVE A MINIMUM 28 DAY COMPRESSIVE STRENGTH OF 4000 PSI.
2. ALL REINFORCEMENT SHALL BE ASTM A615 GRADE 60.
3. REINFORCING BARS SHALL BE CUT AND/OR BENT AT ALL OPENINGS TO MAINTAIN 1" CLEARANCE FROM PIPES.
4. MINIMUM CLEARANCE TO REINFORCING STEEL SHALL BE 1/2" UNLESS OTHERWISE SHOWN.
5. THE CONTRACTOR SHALL FIELD VERIFY ALL EXISTING PIPE SIZES AND ELEVATIONS PRIOR TO CONSTRUCTION/INSTALLATION OF DRAINAGE STRUCTURES.
6. PIPE SECTIONS TO TIE EXISTING RCP TO PROPOSED INLET SHALL NOT BE MEASURED FOR PAYMENT AND SHALL BE CONSIDERED INCIDENTAL TO THE COST OF THE INLET.
7. ALL CONCRETE WORK SHALL CONFORM TO ACI-318-02.



RELOCATE TAXIWAY A FROM MID-FIELD INTERSECTION



IL PROJECT: PIA-3343  
AIP PROJ: 3-17-0080-XX

FILE: k:\peoria\0408103\draw\sheets\025\_drainage\_

DESIGN BY: JDJ

DRAWN BY: JSP

CHECKED BY: JDJ

APPROVED BY: CET

DATE: JUNE 24, 2005

JOB No: 04061-03

DRAINAGE DETAILS  
SHEET 5 OF 5

SHEET 25 OF 43 SHEETS