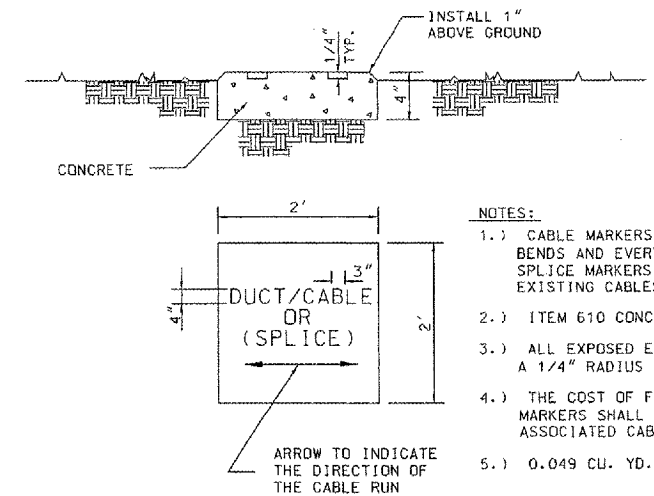
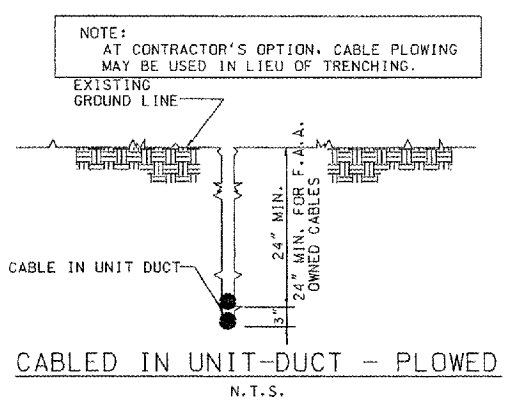
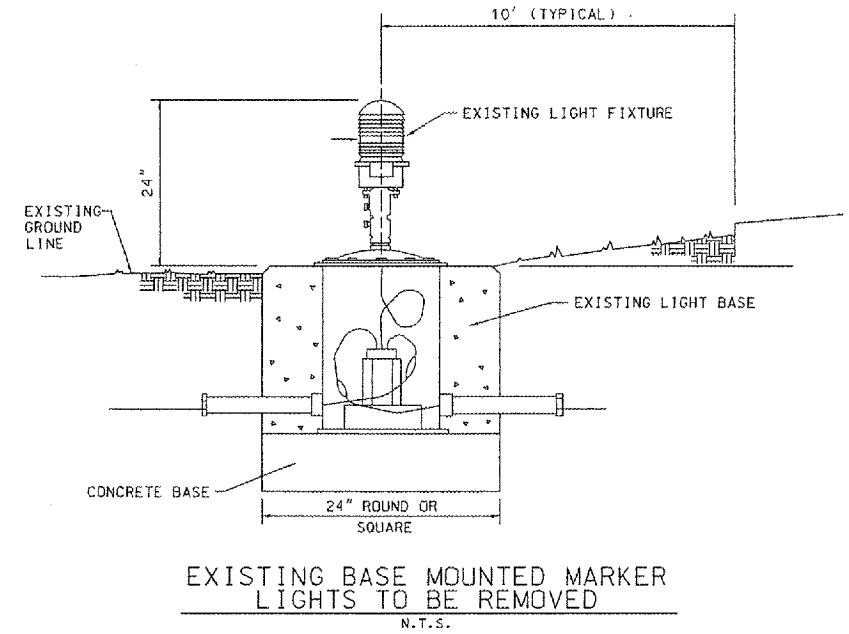
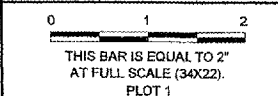
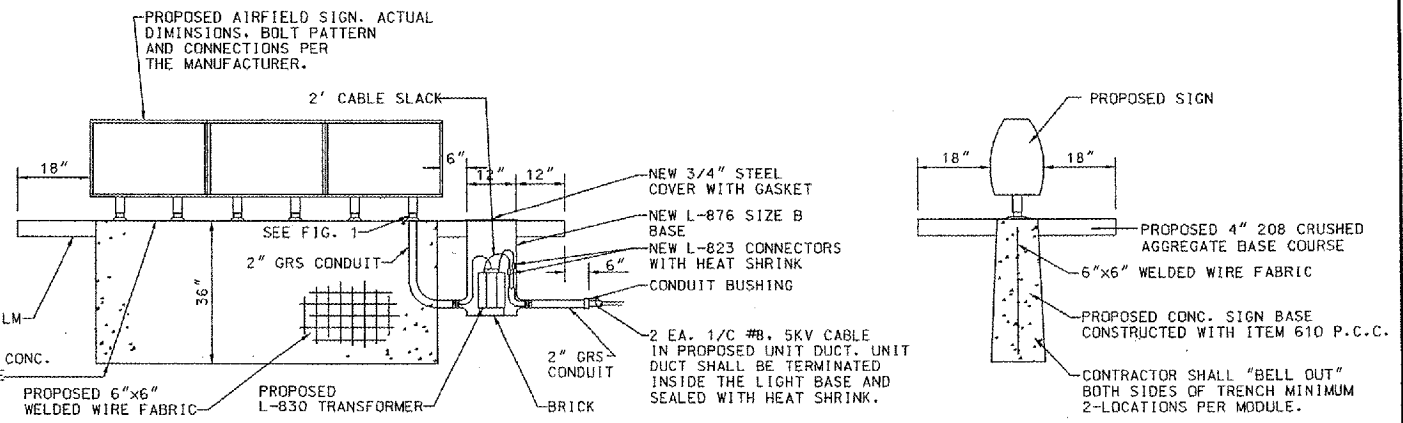
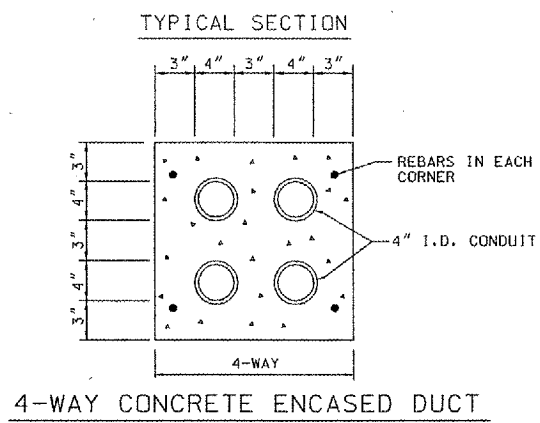
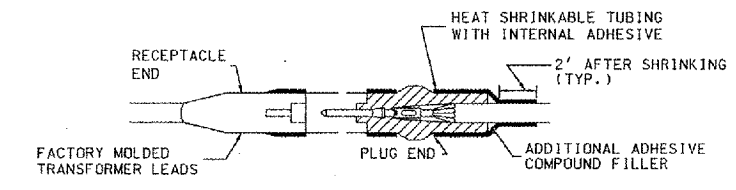
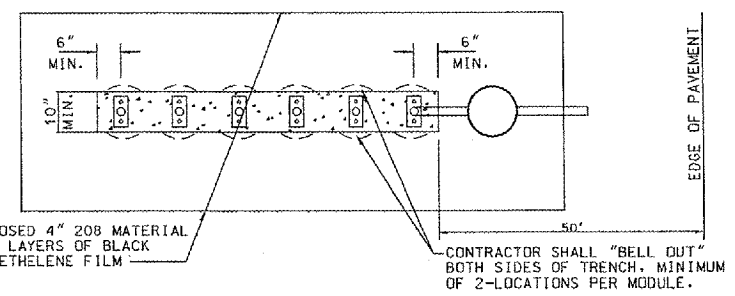
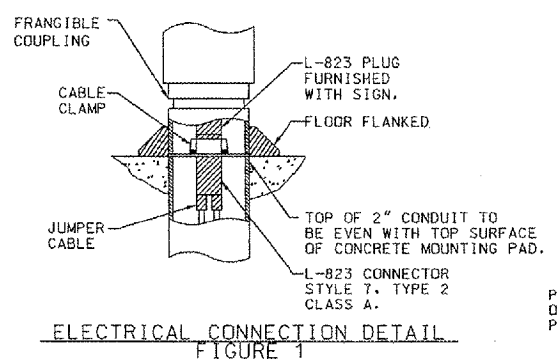
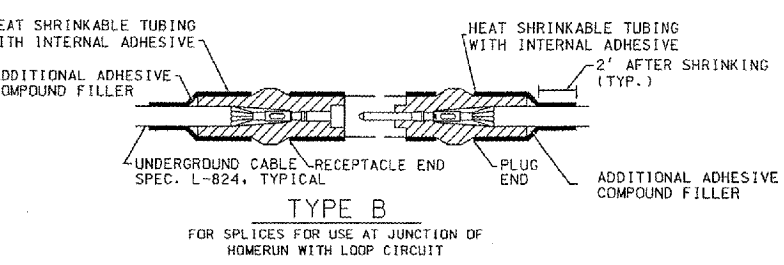
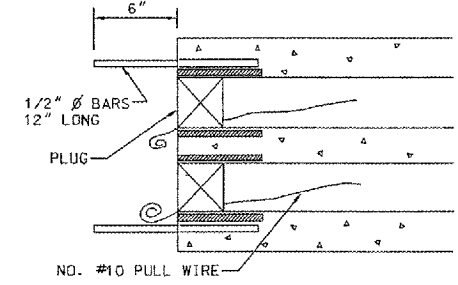
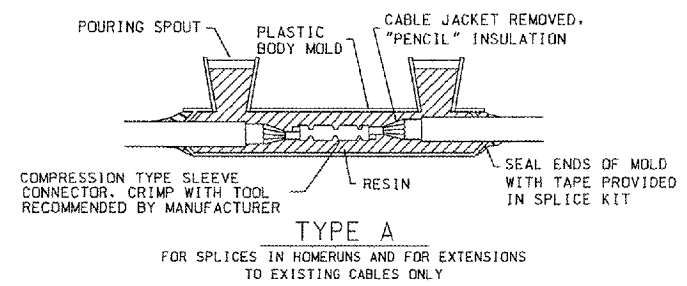
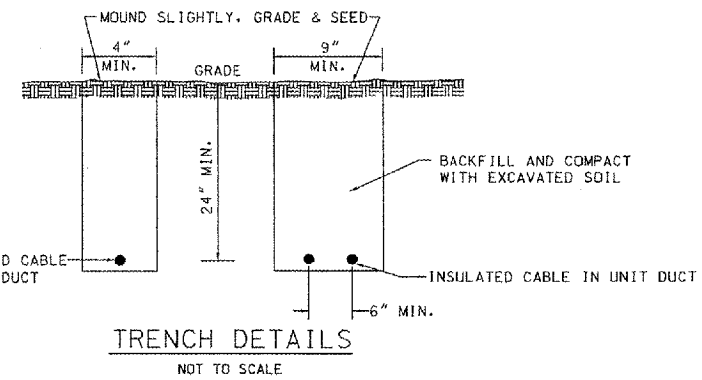


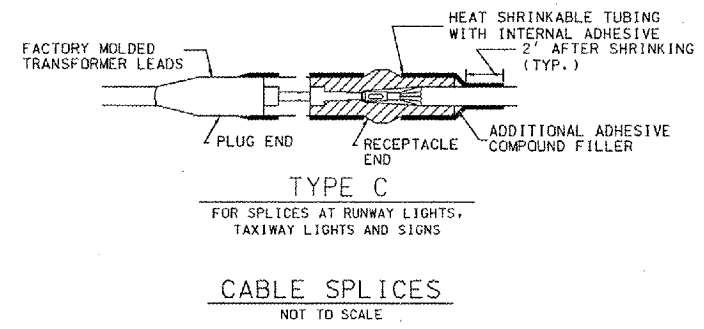
REVISIONS		
NUMBER	BY	DATE



- NOTES:
- 1.) CABLE MARKERS SHALL BE INSTALLED AT ALL BENDS AND EVERY 200' ALONG THE CABLE RUN. SPLICE MARKERS SHALL BE INSTALLED WHEREVER EXISTING CABLES ARE SPLICED.
 - 2.) ITEM 610 CONCRETE SHALL BE USED.
 - 3.) ALL EXPOSED EDGES SHALL BE EDGED WITH A 1/4" RADIUS TOOL.
 - 4.) THE COST OF FURNISHING AND INSTALLING NEW MARKERS SHALL BE INCIDENTAL TO THE ASSOCIATED CABLE ITEMS.
 - 5.) 0.049 CU. YD. CONCRETE PER MARKER.



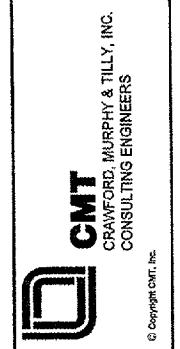
- NOTES
- A. DIMENSIONS SHOWN ARE MINIMUM
 - B. TOP OF CONCRETE ENCASEMENT TO BE NOT LESS THAN 24" BELOW FINISHED SUBGRADE
 - C. DUCT CONCRETE SHALL BE 610 STRUCTURAL P.C. CONCRETE



- NOTES
1. INSIDE DIAMETER OF CONNECTOR SHALL PROPERLY MATCH THE OUTSIDE DIAMETER OF CABLE
 2. WRAP WITH AT LEAST ONE LAYER OF RUBBER OR SYNTHETIC RUBBER TAPE AND ONE LAYER OF PLASTIC TAPE, ONE-HALF LAPPED, EXTENDING AT LEAST 1-1/2 INCHES ON EACH SIDE OF JOINT.



RELOCATE TAXIWAY A FROM MID-FIELD INTERSECTION



IL PROJECT: PIA-3343
AIP PROJ: 3-17-0080-XX

FILE: k:\peoria\0406103\draw\sheet\032_elect.dwg
DESIGN BY: TCS
DRAWN BY: CAG
CHECKED BY: TCS
APPROVED BY: CET
DATE: JUNE 24, 2005
JOB No: 04061-03

ELECTRICAL
DETAILS
SHEET 1 OF 2
SHEET 32 OF 43 SHEETS

06/23/2005 k:\peoria\0406103\draw\sheet\032_elect_details.dwg