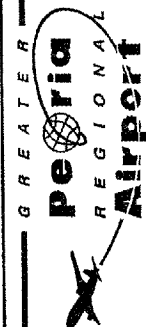
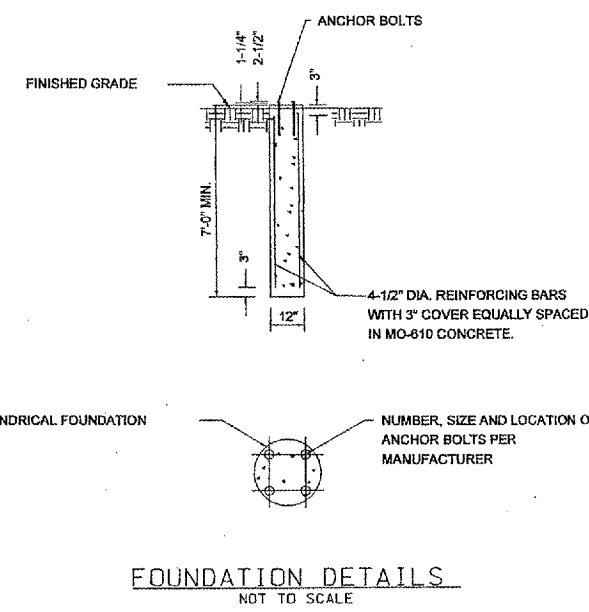
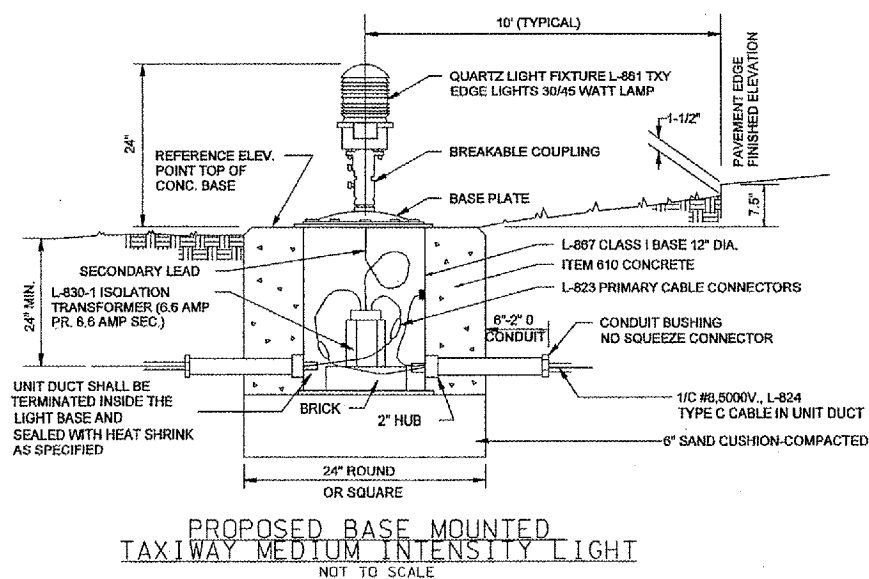
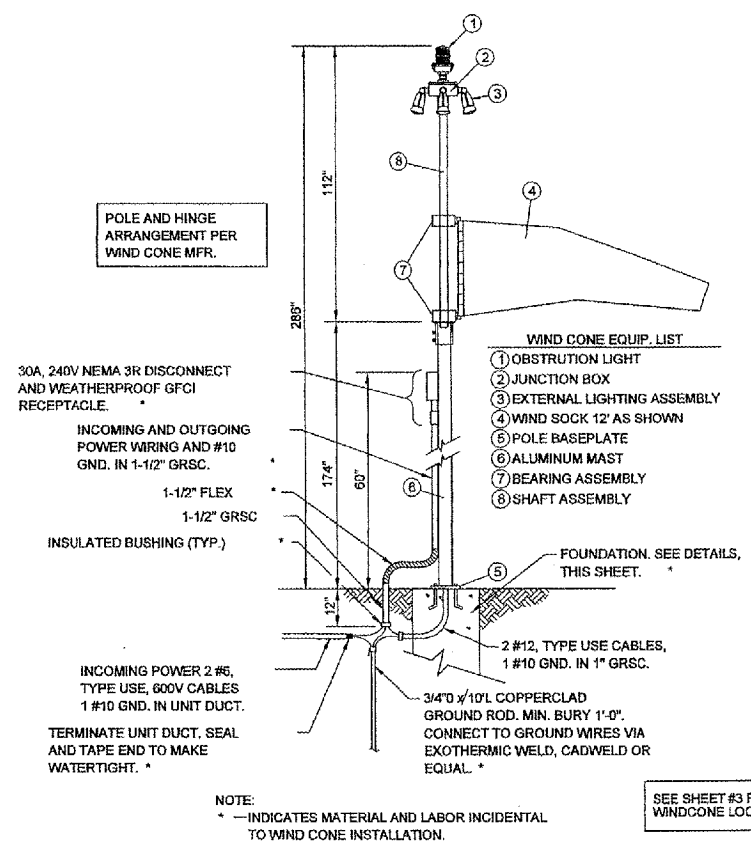
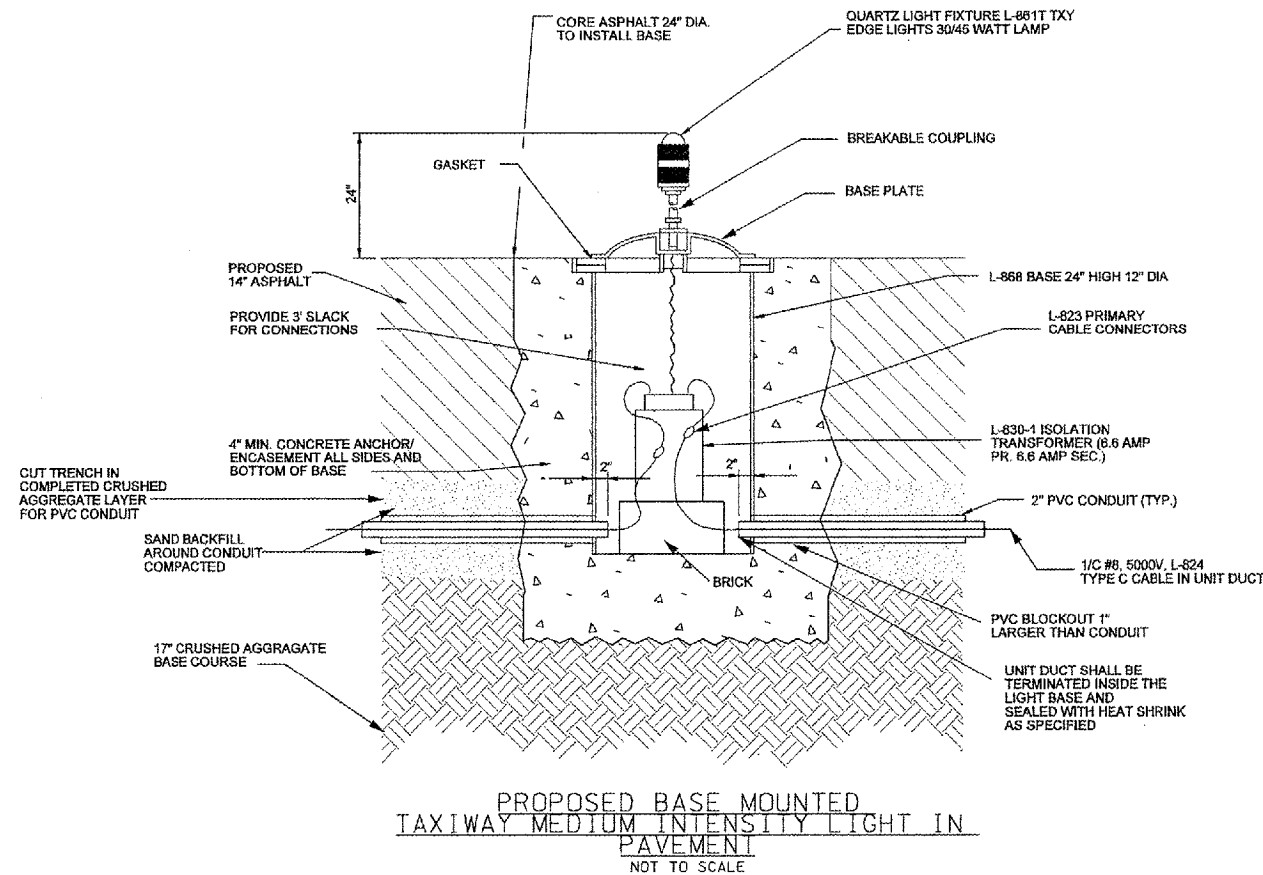
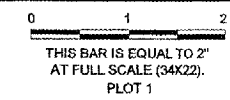


REVISIONS		
NUMBER	BY	DATE



**RELOCATE TAXIWAY A FROM MID-FIELD INTERSECTION**

**CMT**  
CRAWFORD, MURPHY & TILLY, INC.  
CONSULTING ENGINEERS

IL PROJECT: PIA-3343 AIP PROJ: 3-17-0080-XX
FILE: k:\peoria\0406103\draw\sheet\033_elect.dwg
DESIGN BY: TCS
DRAWN BY: CAG
CHECKED BY: TCS
APPROVED BY: CET
DATE: JUNE 24, 2005
JOB No: 04061-03
<b>ELECTRICAL DETAILS</b> SHEET 2 OF 2
SHEET 33 OF 43 SHEETS