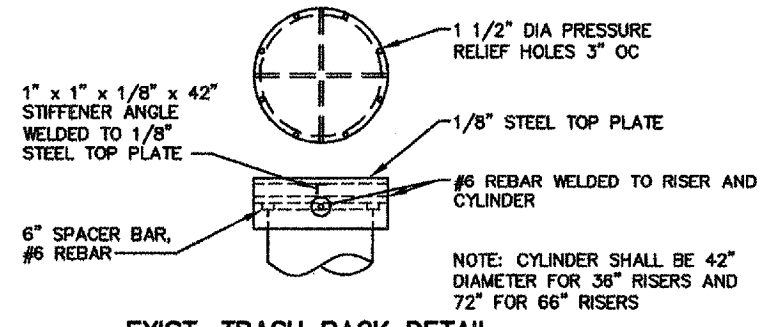
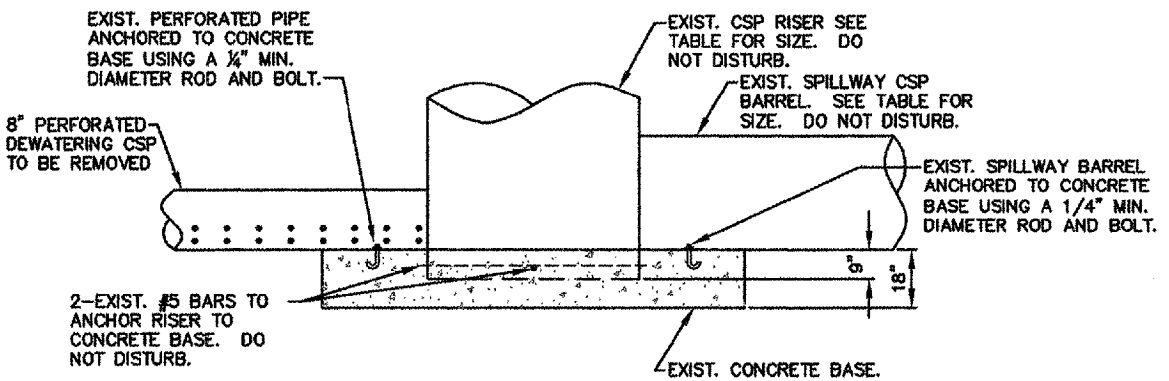


TYPICAL DETAIL
EXIST. SEDIMENTATION BASIN CROSS SECTION
(FOR BASINS SB145, SB178, AND SB169)
NTS

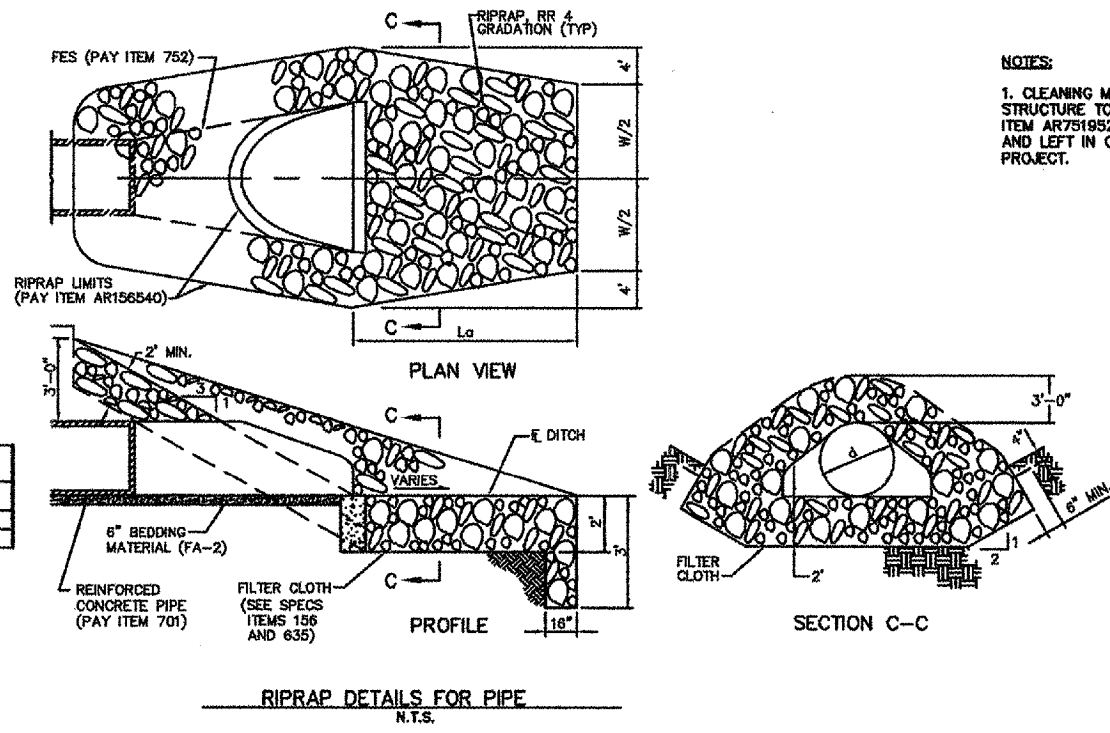


EXIST. TRASH RACK DETAIL
NTS

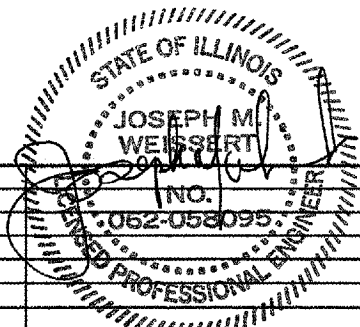
SEDIMENTATION BASIN ID	SEDIMENT BASIN NO.	PRINCIPAL SPILLWAY	SPILLWAY		ELEVATIONS					CONCRETE BASE DIMENSIONS	SEDIMENT CLEANOUT ELEVATION E6
			FLARED END SECTION	RISER SIZE	BARREL SIZE/LENGTH	TOP OF CONCRETE BASE E1	TOP OF RISER E2	TOP OF BERM E3	EMERGENCY SPILLWAY E4		
SB145	PS 28	FES 27	66"	36"/99.0'	422.00	426.00	430.50	427.00	421.50	11'X11'X18"	424.00
SB178	PS 32	FES 31	36"	24"/70.0'	422.00	426.00	429.50	427.00	421.50	6'X6'X18"	424.30
SB169	PS 30	FES 29	36"	24"/61.5'	422.00	425.00	430.00	427.00	421.50	6'X6'X18"	423.70



EXIST. CONCRETE BASE DETAIL
NTS



NOTES:
1. CLEANING MUD OR DEBRIS FROM ENTIRE DRAINAGE STRUCTURE TO REMAIN IS TO BE CONSIDERED INCIDENTAL TO ITEM AR751852. DRAINAGE STRUCTURE TO BE PROTECTED AND LEFT IN CONDITION TO DRAIN FREELY THROUGHOUT PROJECT.



DESIGNED BY: TAC
DRAWN BY: DEM
CHECKED BY: DJT
DATE: 6/10/05



SEDIMENTATION BASIN CONVERSION
1075 Eastgate Drive
O'Fallon, Illinois 62269
PH 618-624-2628
FAX 618-624-2730



OUTFALL STRUCTURE
TYPICAL SECTION
AND DETAILS

DWG. FILE NAME
84725c13
SHEET NO.
1-6

REV.	DATE	BY	APPR.	DESCRIPTION	PLOT FILE