

* Center of horizontal to center of splice dimension may vary. Verify before drilling holes in mounting tube.

PLAN DETAIL "A"
Span between Panel Points

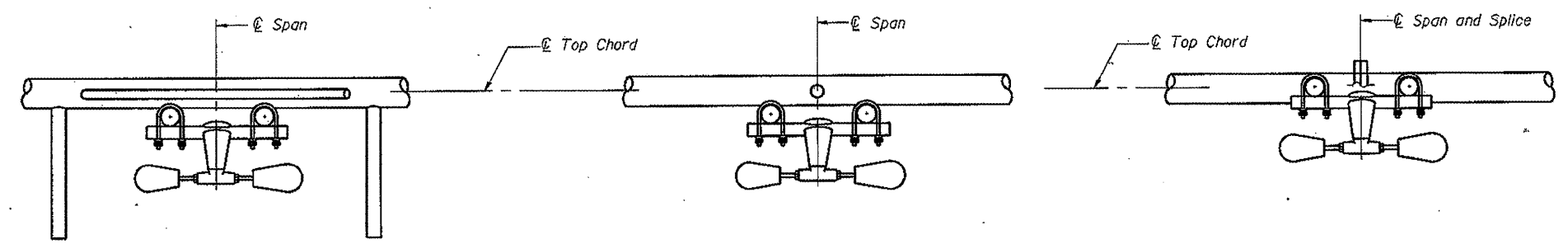
PLAN DETAIL "B"
Span at Panel Point

PLAN DETAIL "C"
Span at Chord Splice

NOTES

Damper: One damper per truss. (31 lbs. minimum Stockbridge-Type Aluminum - 29" minimum between ends of weights) Cost included in Overhead Sign Structure...

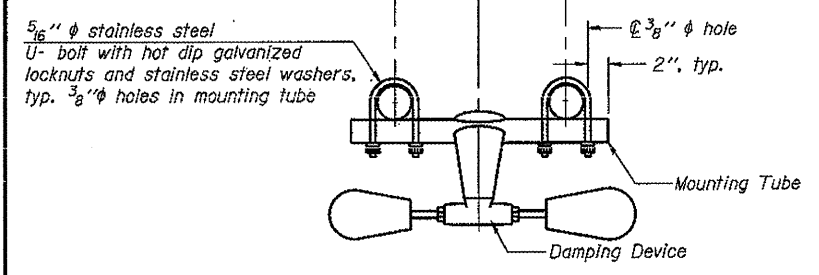
Materials: Materials: Aluminum tubes shall be ASTM B221 alloy 6061 temper T6. Cost included in Overhead Sign Structure...



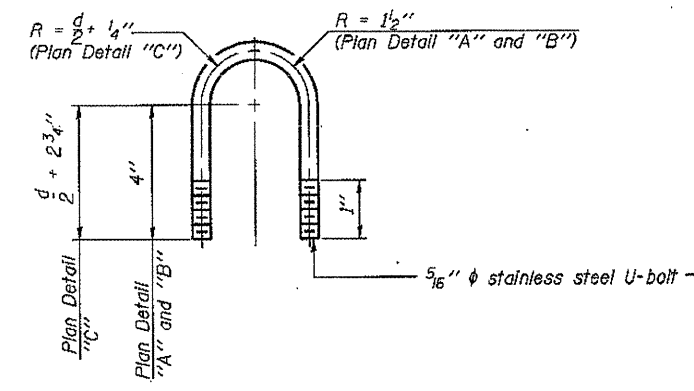
SECTION A-A

SECTION B-B

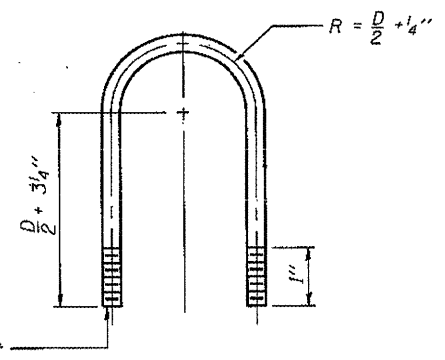
SECTION C-C



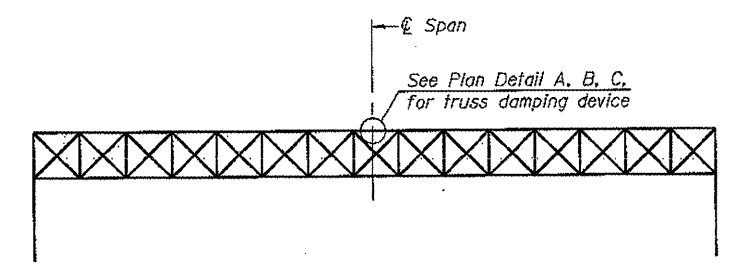
TRUSS DAMPING DEVICE CONNECTION DETAIL
(Typical)



DAMPING DEVICE MOUNTING TUBE U-BOLT DETAIL
(Typical)



TOP CHORD TO CROSS TUBE U-BOLT DETAIL
(Typical - Detail "A" and "B")



ELEVATION
Aluminum Overhead Sign Truss

OS-A-D

1-20-11

USER NAME =	DESIGNED -	REVISÉ -
PLOT SCALE =	CHECKED -	REVISÉ -
PLOT DATE =	DRAWN -	REVISÉ -
	CHECKED -	REVISÉ -

STATE OF ILLINOIS
DEPARTMENT OF TRANSPORTATION

OVERHEAD SIGN STRUCTURE
DAMPING DEVICE

F.A. RTE.	SECTION	COUNTY	TOTAL SHEETS	SHEET NO.
Various	D-1 OVD SIN STR REPL 12-02	VARIOUS	39	9
CONTRACT NO. 46175			ILLINOIS FED. AID PROJECT	