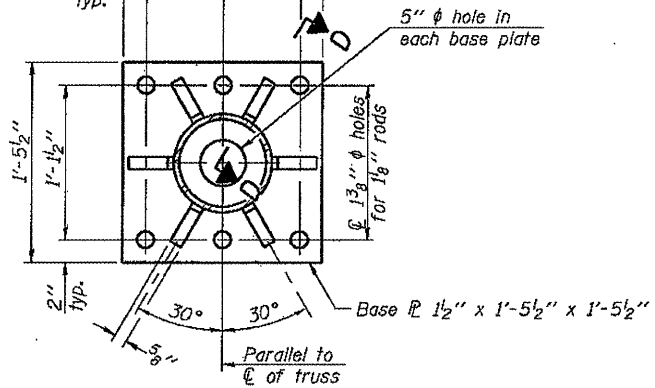
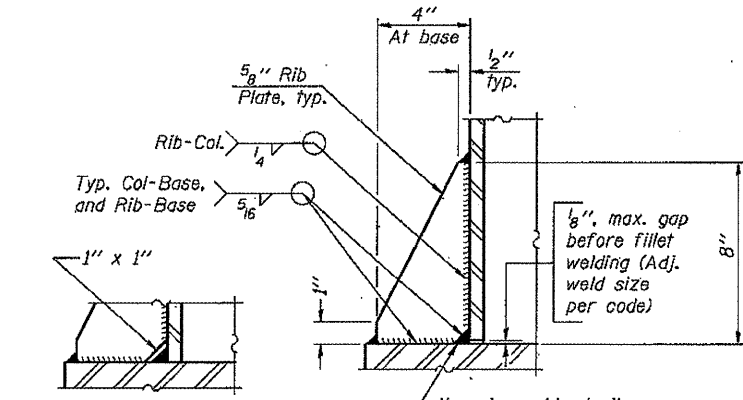


DETAIL B
Ribs shall be cut to fit slope of pipe.

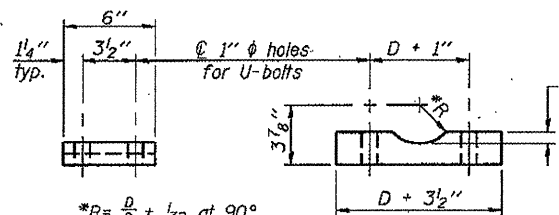


SECTION B-B



** Alternate detail if welding col. to base plate first, then snip inside corner of ribs. Terminate weld on rib 1/4" from snip.

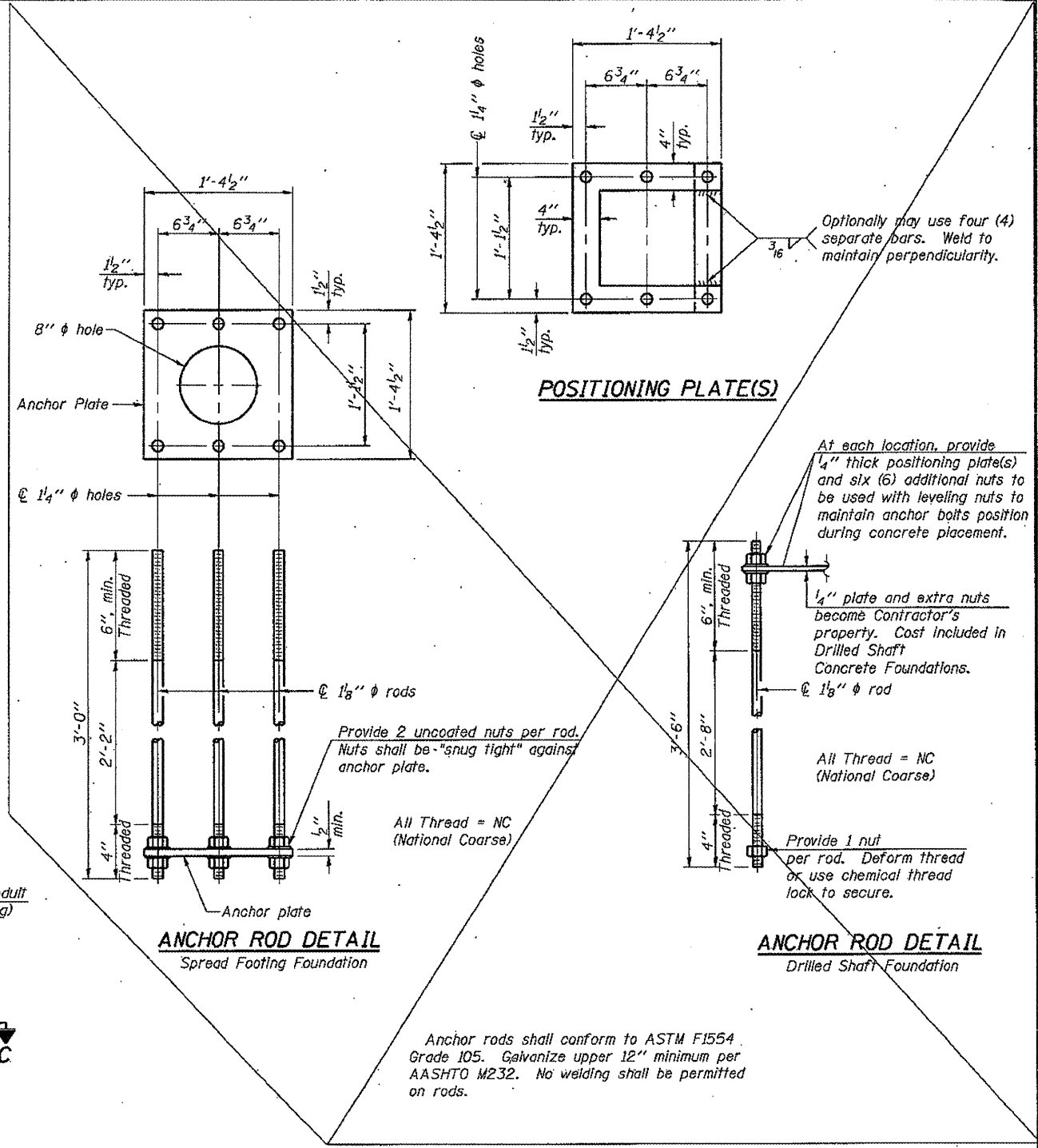
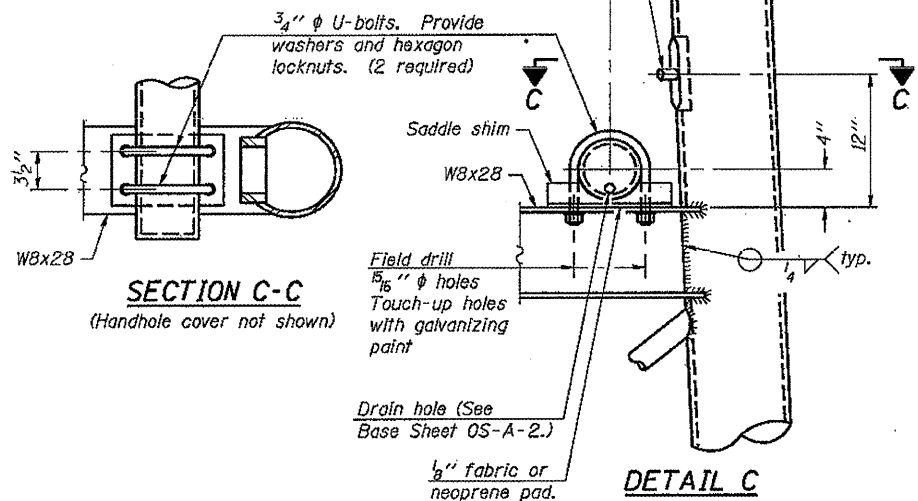
SECTION D-D



SADDLE SHIM DETAIL

ASTM B26 Alloy 356-F
or
ASTM B209 Alloy 6061-T651
(4 required per sign truss)

Truss Chord Nominal Dia.	a
5"	3/4"
5 1/2"	13/16"
6"	7/8"
6 1/2"	15/16"



TYPE II-A TRUSS
8" ϕ PIPE SUPPORT FRAME DETAILS

OS-A-4A-Special 1-20-11

FILE NAME =	USER NAME =	DESIGNED -	REVISED -
		CHECKED -	REVISED -
		DRAWN -	REVISED -
		CHECKED -	REVISED -

STATE OF ILLINOIS
DEPARTMENT OF TRANSPORTATION

OVERHEAD SIGN STRUCTURES
SUPPORT FRAME DETAILS - ALUMINUM TRUSS

F.A. RTE.	SECTION	COUNTY	TOTAL SHEETS	SHEET NO.
Various D-1 DVD	SIN STR REPL 12-02	VARIOUS	39	13
				CONTRACT NO. 46175
ILLINOIS FED. AID PROJECT				