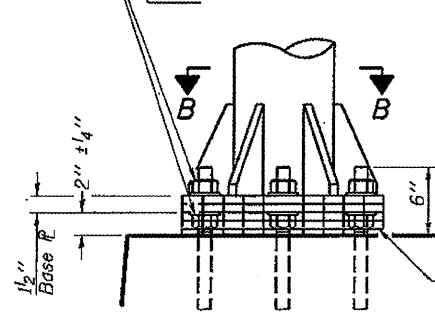
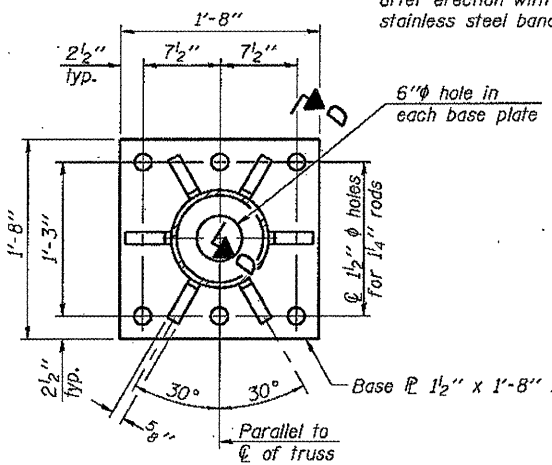


Hexagon locknut and washer (top), leveling nut and washer (bottom). Galvanize per AASHTO M232. Nuts shall each be tightened against base plate with 200 lb.-ft. minimum torque.

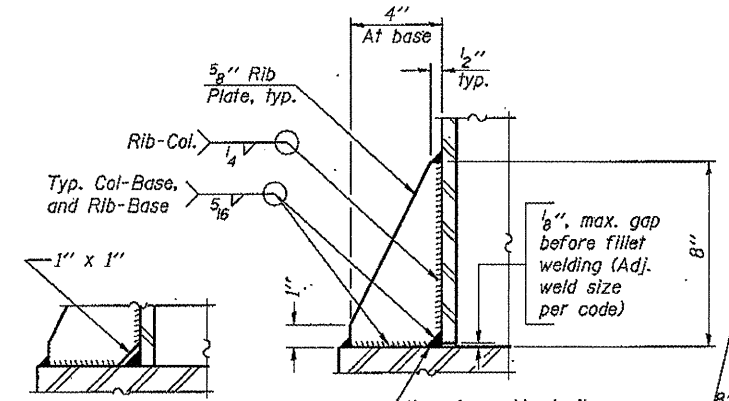


**DETAIL B**

Ribs shall be cut to fit slope of pipe.  
Stainless Steel Standard Grade Wire Cloth, 3" wide, 1/4" maximum opening with a minimum wire diameter of AWG. No. 16 with a minimum 2" lap. Secure to base plate after erection with 3/4" stainless steel banding.

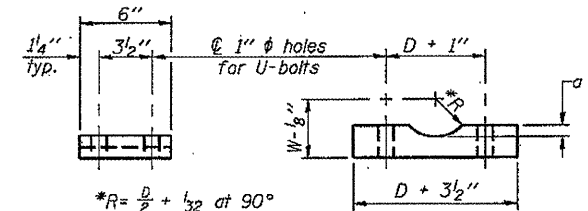


**SECTION B-B**



**SECTION D-D**

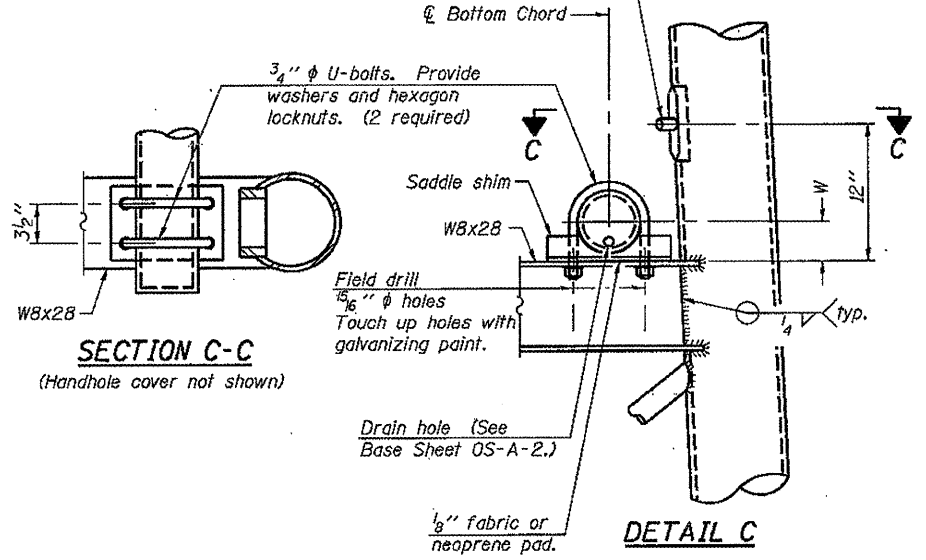
\*\* Alternate detail if welding col. to base plate first, then snip inside corner of ribs. Terminate weld on rib 1/4" from snip.  
No snip req'd. at rib inside corner if placed before col. to base plate welding.



**SADDLE SHIM DETAIL**

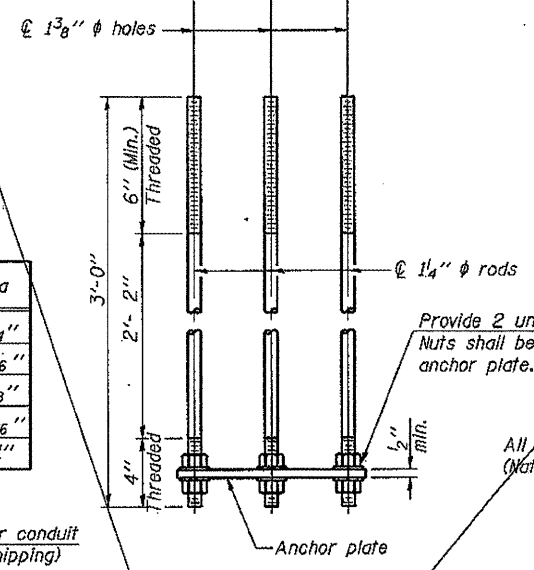
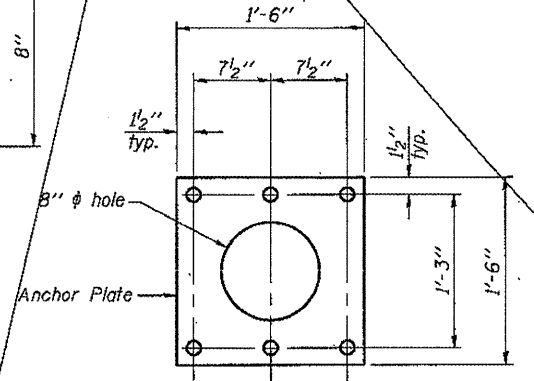
ASTM B26 Alloy 356-F or ASTM B209 Alloy 6061-T651 (4 required per sign truss)

Truss Chord Nominal Dia.	a
5"	3/4"
5 1/2"	13/16"
6"	7/8"
6 1/2"	15/16"
7"	1"

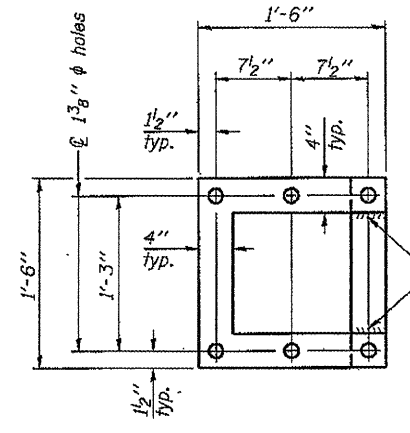


**SECTION C-C**  
(Handhole cover not shown)

**DETAIL C**



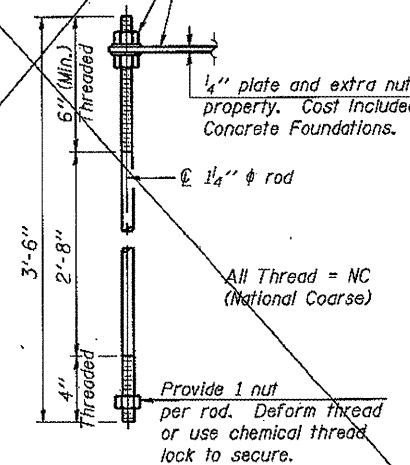
**ANCHOR ROD DETAIL**  
Spread Footing Foundation



**POSITIONING PLATE(S)**

Optionally may use four (4) separate bars. Weld to maintain perpendicularity.

At each location, provide 1/4" thick positioning plate(s) and six (6) additional nuts to be used with leveling nuts to maintain anchor bolts position during concrete placement.  
1/4" plate and extra nuts become Contractor's property. Cost included in Drilled Shaft Concrete Foundations.



**ANCHOR ROD DETAIL**  
Drilled Shaft Foundation

Anchor rods shall conform to ASTM F1554 Grade 105. Galvanize upper 12" minimum per AASHTO M232. No welding shall be permitted on rods.

**TYPE III-A TRUSS**  
**10" PIPE SUPPORT FRAME DETAILS**

OS-A-6A-Special 1-20-11

FILE NAME =	USER NAME =	DESIGNED -	REVISED -
		CHECKED -	REVISED -
		DRAWN -	REVISED -
		CHECKED -	REVISED -

STATE OF ILLINOIS  
DEPARTMENT OF TRANSPORTATION

OVERHEAD SIGN STRUCTURES  
SUPPORT FRAME DETAILS - ALUMINUM TRUSS

F.A. RTE.	SECTION	COUNTY	TOTAL SHEETS	SHEET NO.
Various D-1 OVD SIN STR REPL 12-02		VARIOUS	39	15
CONTRACT NO. 46175				
ILLINOIS FED. AID PROJECT				