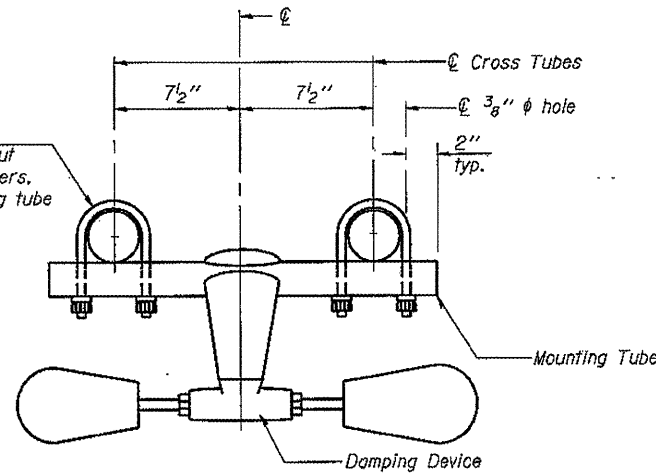
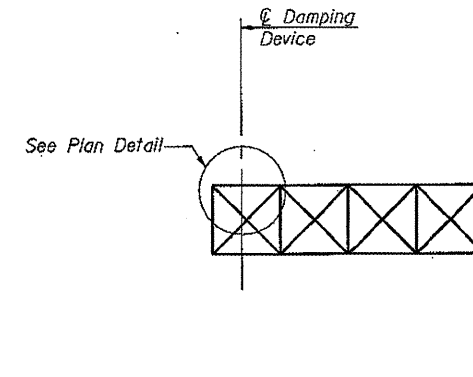


**PLAN DETAIL**



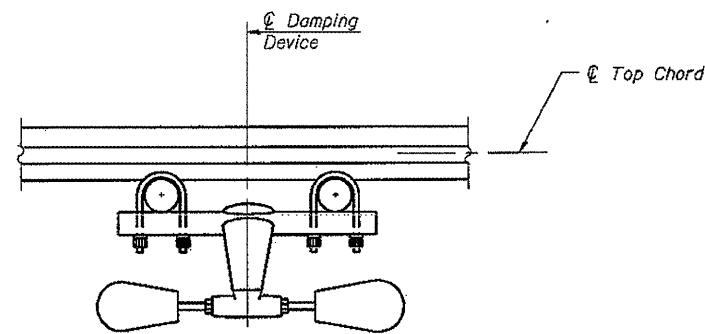
**TRUSS DAMPING DEVICE CONNECTION DETAIL**



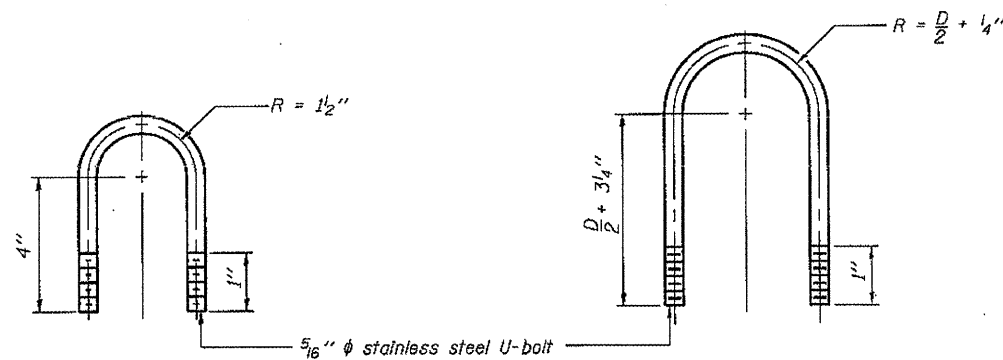
**ELEVATION**  
Aluminum Cantilever Sign Structure

**GENERAL NOTES**

- Damper:** One damper per truss. (31 lbs. Stockbridge-Type Aluminum-29" minimum between ends of weights)
- Materials:** Aluminum tubes shall be ASTM B221 alloy 6061 temper T6



**SECTION A-A**



**DAMPING DEVICE MOUNTING TUBE U-BOLT DETAIL**  
(Typical)

**TOP CHORD TO CROSS TUBE U-BOLT DETAIL**  
(Typical)

OSC-A-D

1-20-11

FILE NAME =	USER NAME =	DESIGNED -	REVISED -
		CHECKED -	REVISED -
		DRAWN -	REVISED -
		CHECKED -	REVISED -
PLOT SCALE =			
PLOT DATE =			

STATE OF ILLINOIS  
DEPARTMENT OF TRANSPORTATION

CANTILEVER SIGN STRUCTURE  
DAMPING DEVICE

F.A. RTE.	SECTION	COUNTY	TOTAL SHEETS	SHEET NO.
Various D-1 OVD	SIN STR REPL 12-02	VARIOUS	39	24
			CONTRACT NO. 46175	
ILLINOIS FED. AID PROJECT				