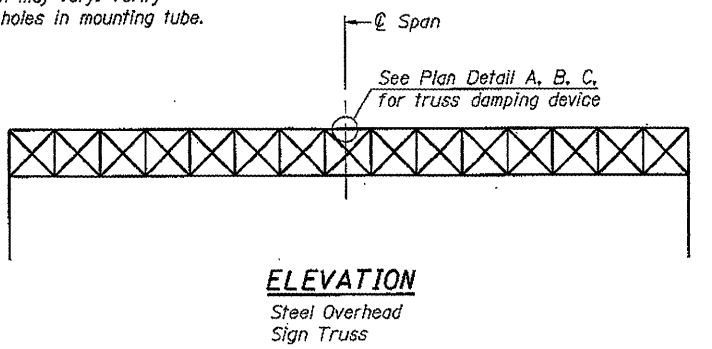


**PLAN DETAIL "A"**  
 @ Span between panel points

**PLAN DETAIL "B"**  
 @ Span at panel point

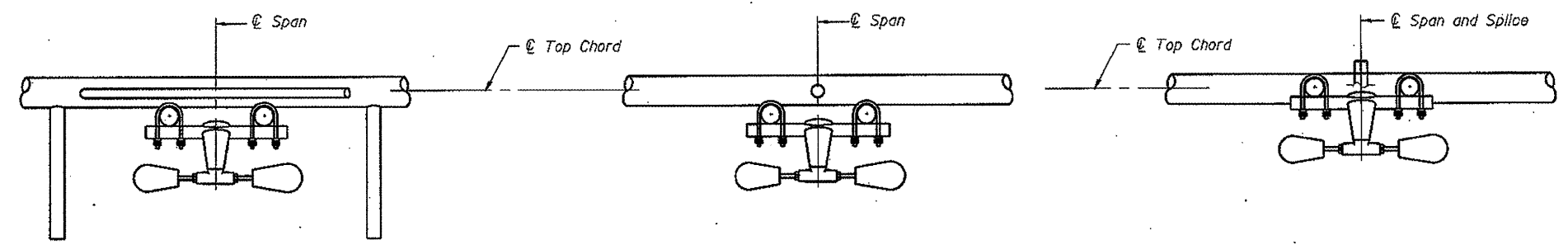
**PLAN DETAIL "C"**  
 @ Span at @ chord splice



**ELEVATION**  
 Steel Overhead Sign Truss

**NOTES**

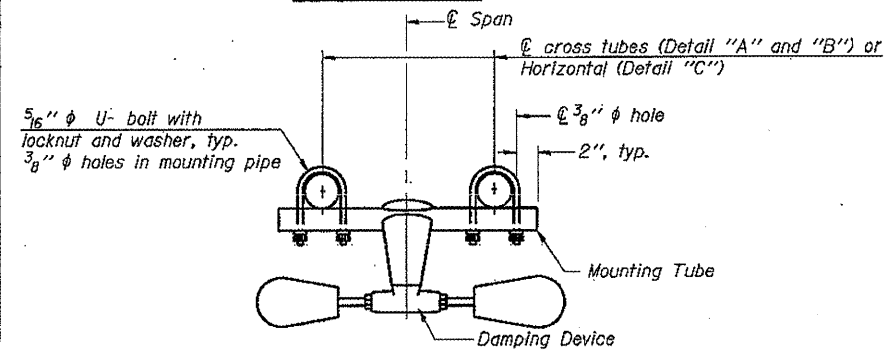
Damper: One damper per truss. (31 Lbs. Stockbridge-Type - 29" minimum between ends of weights) Cost included in Overhead Sign Structure...



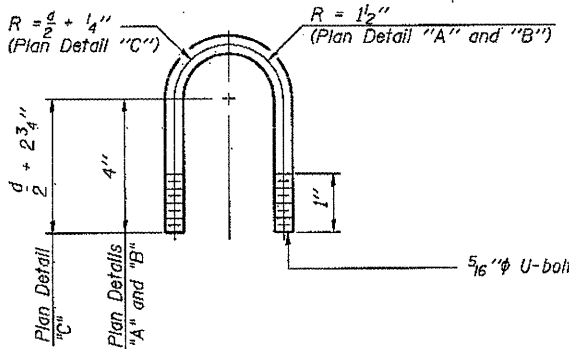
**SECTION A-A**

**SECTION B-B**

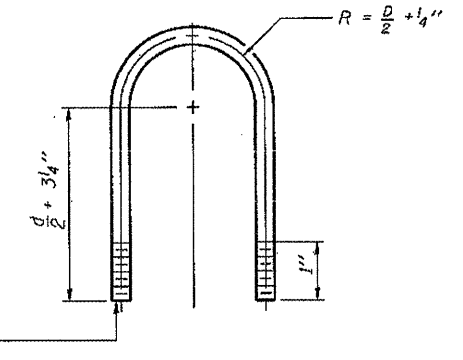
**SECTION C-C**



**TRUSS DAMPING DEVICE CONNECTION DETAIL**  
 (Typical)



**DAMPING DEVICE MOUNTING TUBE U-BOLT DETAIL**  
 (Typical)



**TOP CHORD TO CROSS TUBE U-BOLT DETAIL**  
 (Typical - Detail "A" and "B")

OS-S-D

1-20-11

FILE NAME =	USER NAME =	DESIGNED -	REVISED -
		CHECKED -	REVISED -
		DRAWN -	REVISED -
		CHECKED -	REVISED -

STATE OF ILLINOIS  
 DEPARTMENT OF TRANSPORTATION

OVERHEAD SIGN STRUCTURES  
 DAMPING DEVICE

F.A. RTE.	SECTION	COUNTY	TOTAL SHEETS	SHEET NO.
Various D-1	0VD SIN STR REPL 12-02	VARIOUS	39	29
			CONTRACT NO. 46175	
ILLINOIS FED. AID PROJECT				