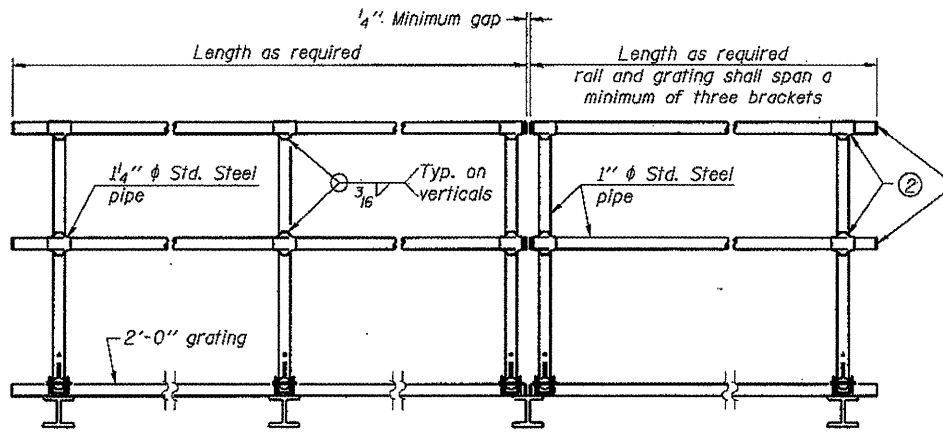


SIDE ELEVATION
(Showing safety chain w/o sign)

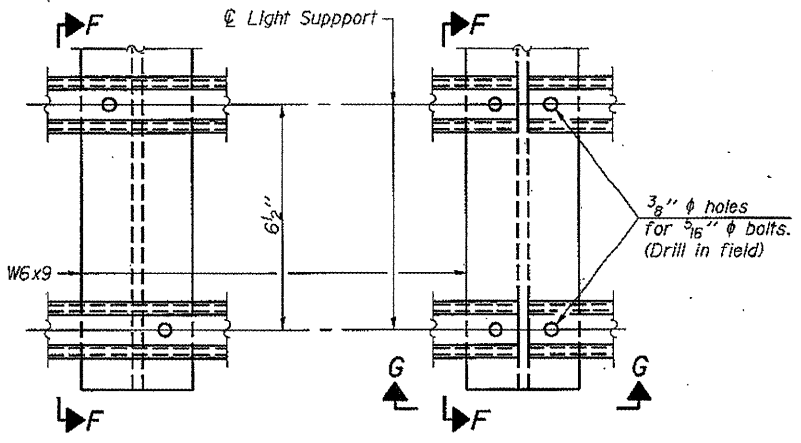


FRONT ELEVATION

HANDRAIL DETAILS

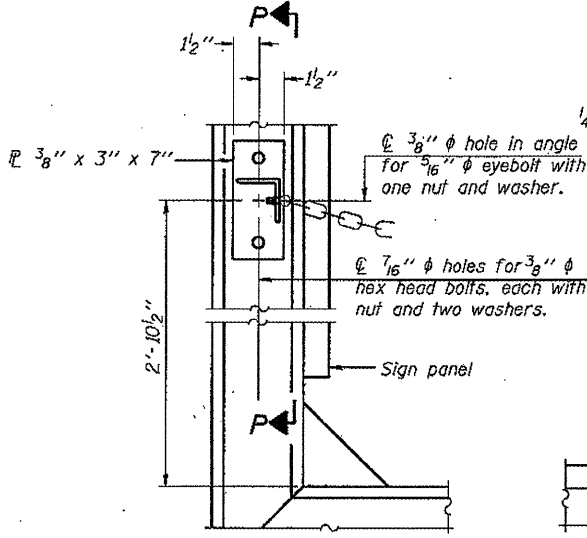
① Install standard force-fit end caps or weld $\frac{3}{8}$ " end plates with $\frac{1}{8}$ " c.f.w. and grind smooth. (All rail ends).

② Horizontal handrail member shall be continuous thru $1\frac{1}{4}$ " pipe. Provide $\frac{7}{16}$ " hole in $1\frac{1}{4}$ " pipe for $\frac{3}{8}$ " hole in horizontal rail member. Provide washer and locknut for bolt. (Use $\frac{5}{16}$ " eyebolts in $\frac{7}{16}$ " holes on top rail at ends only.)



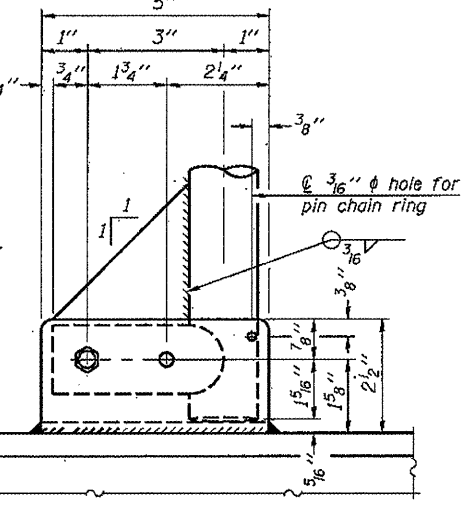
DETAIL F

DETAIL G

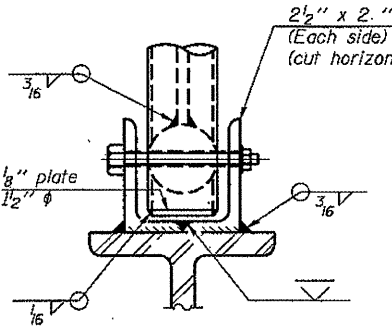


ALTERNATE SAFETY CHAIN ATTACHMENT

(With Sign Present)
Items not shown same as "Side Elevation" of "Handrail Details"

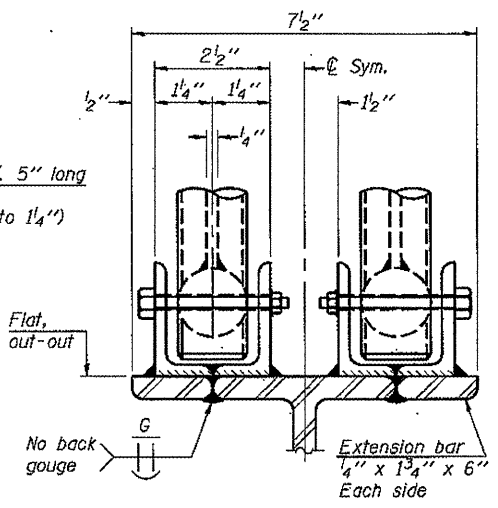


SIDE ELEVATION

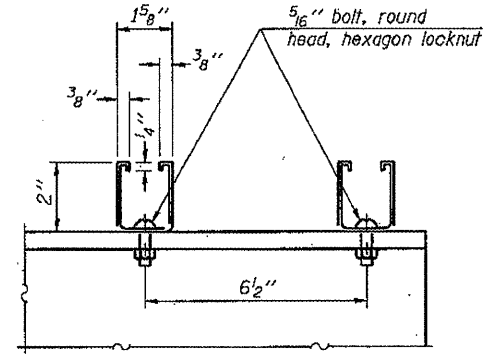


FRONT ELEVATION

See "ELEVATION" at right for dimensions.

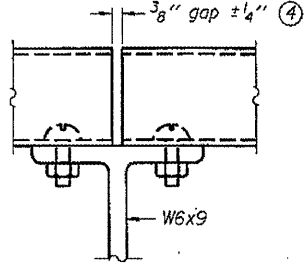


ELEVATION AT HANDRAIL JOINT



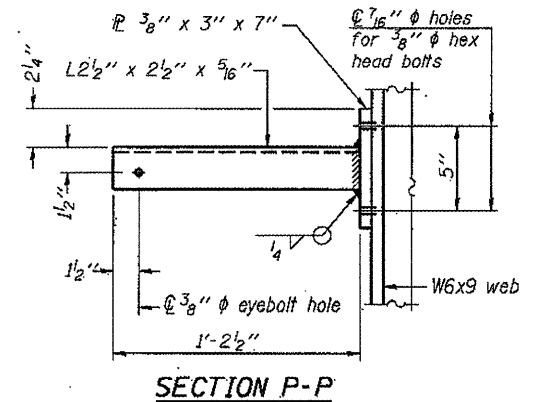
SECTION F-F

LIGHTING FIXTURE MOUNTS (IF REQUIRED)

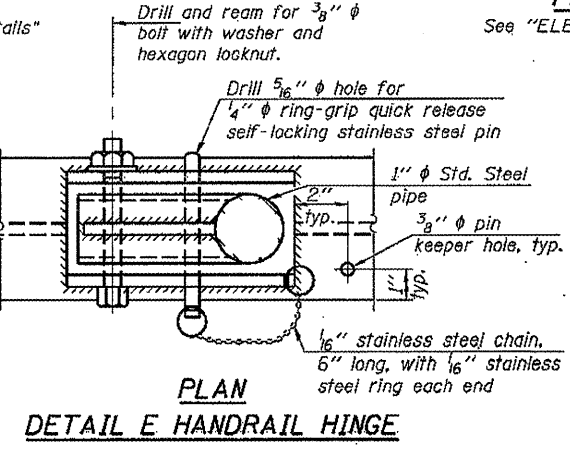


SECTION G-G

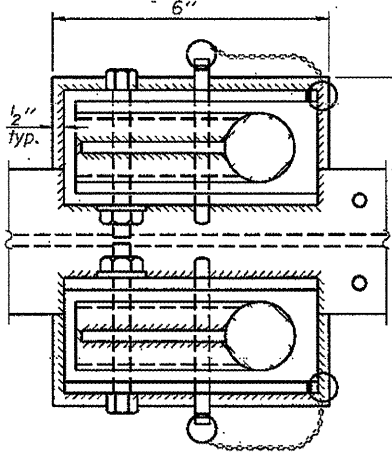
④ Field cut ends of light support channels shall be free of burrs or hazardous projections and coated with zinc-rich primer or equivalent.



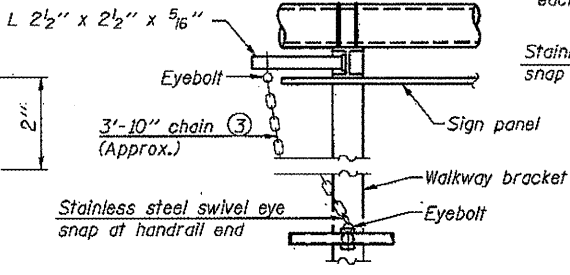
SECTION P-P



DETAIL E HANDRAIL HINGE

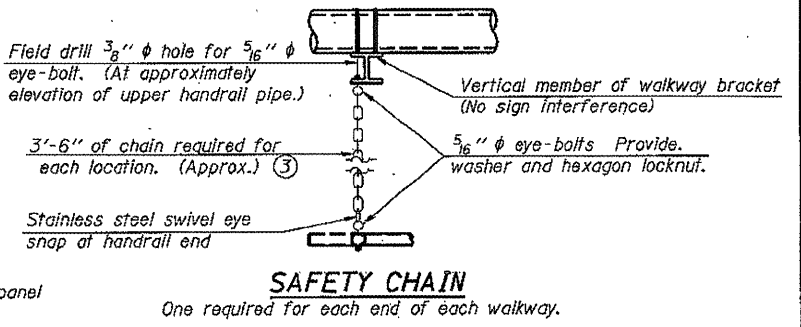


PLAN AT HANDRAIL JOINT
Details not shown same as "PLAN"



ALTERNATE SAFETY CHAIN ATTACHMENT
Details not shown similar to "Safety Chain" Details
(Walkway omitted for clarity)

③ $\frac{3}{16}$ " Type 304L stainless steel chain, approximately 12 links per foot.



SAFETY CHAIN

One required for each end of each walkway.

OS-S-11

1-20-11

FILE NAME =	USER NAME =	DESIGNED -	REVISED -
		CHECKED -	REVISED -
PLOT SCALE =		DRAWN -	REVISED -
PLOT DATE =		CHECKED -	REVISED -

STATE OF ILLINOIS
DEPARTMENT OF TRANSPORTATION

OVERHEAD SIGN STRUCTURES
STEEL HANDRAIL DETAILS

F.A. RTE.	SECTION	COUNTY	TOTAL SHEETS	SHEET NO.
Various	D-1 OVD SIN STR REPL 12-02	VARIOUS	39	31
			CONTRACT NO. 46175	
ILLINOIS FED. AID PROJECT				