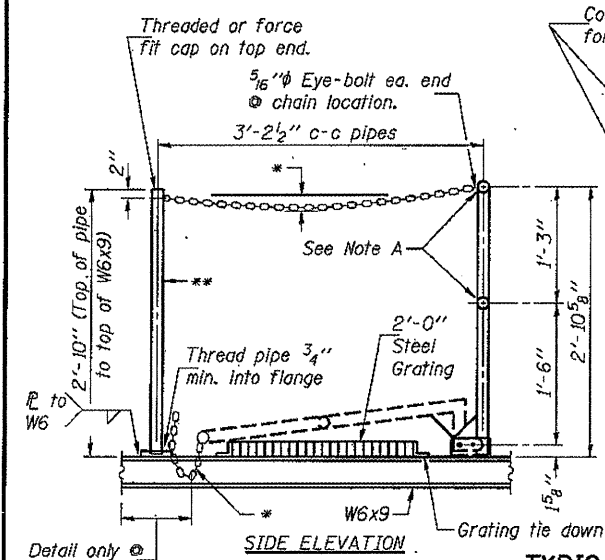


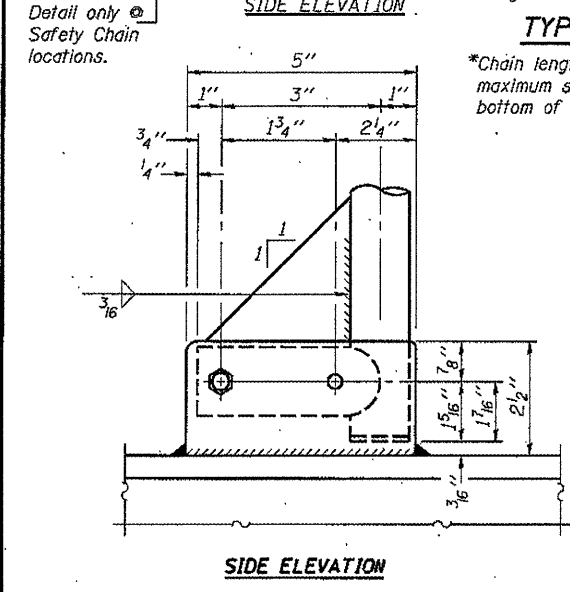
STATE OF ILLINOIS
DEPARTMENT OF TRANSPORTATION

ROUTE NO.	SECTION	COUNTY	TOTAL SHEETS	SHEET NO.
SHEETS				

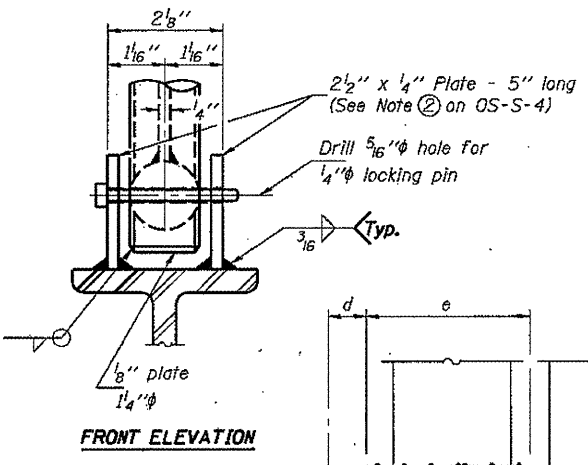


TYPICAL HANDRAIL DETAIL

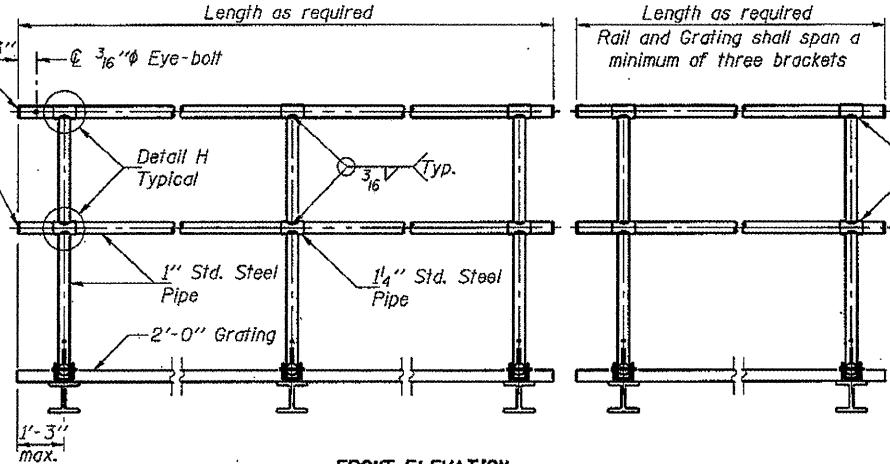
*Chain length shall allow erection of handrail with maximum sag of 3" and shall not extend below bottom of W6x9 with railing lowered.



SIDE ELEVATION



FRONT ELEVATION

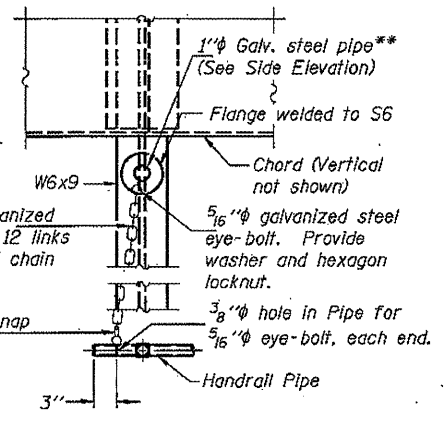


FRONT ELEVATION

**1" Std. galvanized steel pipe at brackets nearest ends of walkway to hold safety chain. Bottom end threaded 3/4" minimum into flange. Cap or weld plate on top of pipe.

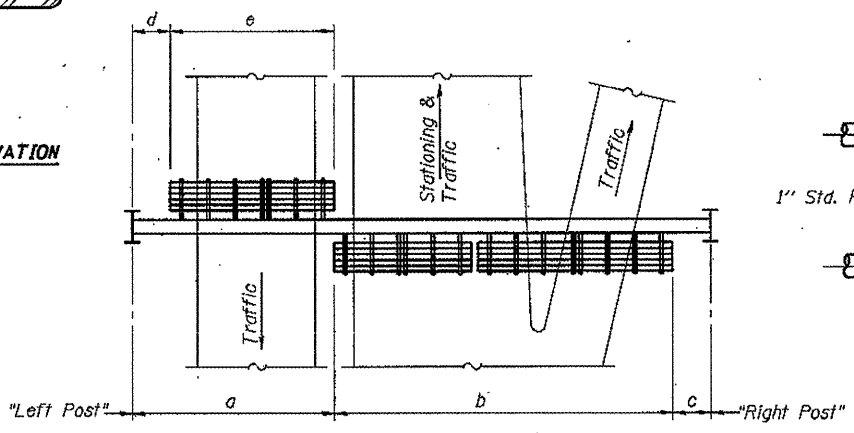
3/16" link steel chain, hot-dip galvanized after manufacture, approximately 12 links per foot. Approximately 3 ft. of chain required for each.*

Bronze swivel eye snap at handrail end



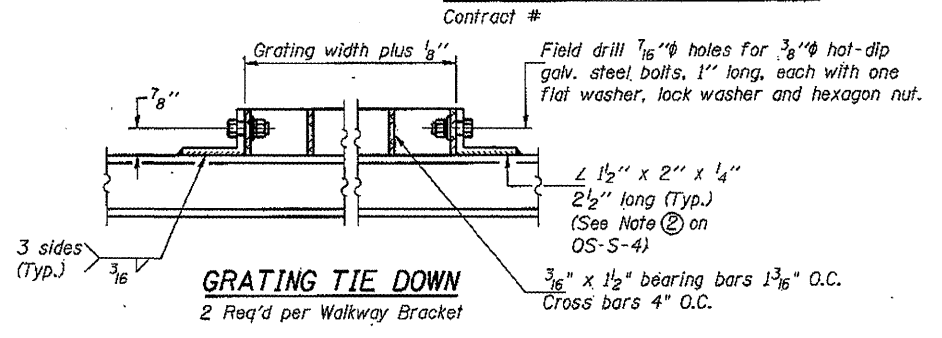
SAFETY CHAIN

One (1) required for each end of each walkway.



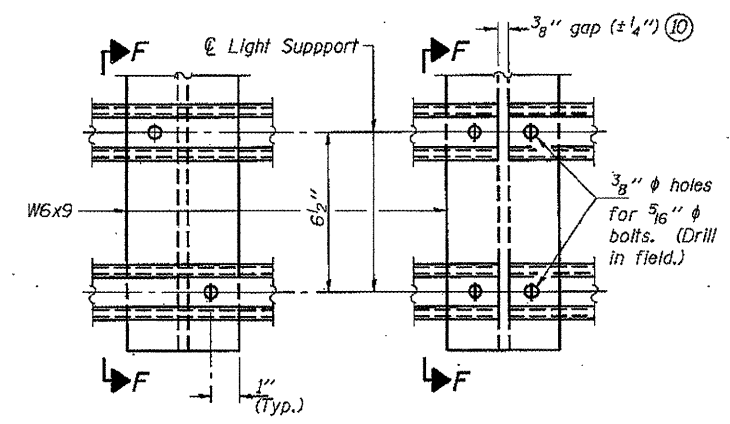
WALKWAY AND HANDRAIL SKETCH
(Road plan shown beneath truss varies.)

Sign Structure Number	Station	a	b	c	d	e	Grating and Handrail Lengths
ISO161094R039.1	116 + 08	10'-1"	43'-0"	12.82			43'-0"
ISO161090R080.3	3417 + 44	6'-6"	43'-0"	22'-6"			43'-0"
ISO161094L052.1	198 + 80	13'-10 1/2"	43'-0"	9'-0"			43'-0"
ISO161094R032.2	483 + 97	7'-0"	43'-0"	26'-6"			43'-0"



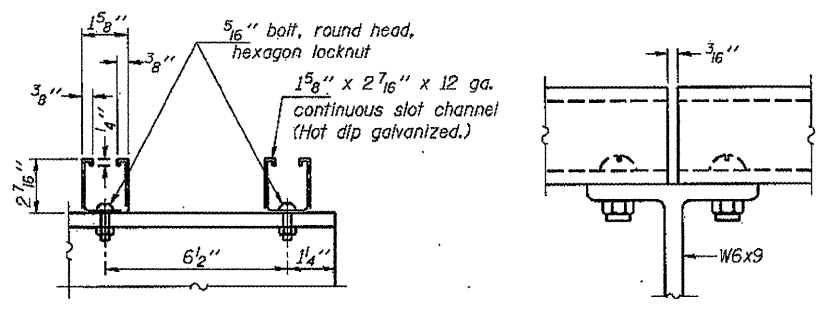
GRATING TIE DOWN

2 Req'd per Walkway Bracket



DETAIL F

DETAIL G



SECTION F-F

SECTION G-G

LIGHTING FIXTURE MOUNTS (IF REQUIRED)

Field cut ends of light support channels shall be free of burrs or hazardous projections and coated with zinc-rich primer or equivalent.

All bolts, nuts and washers shall conform to ASTM A307, hot-dip galvanized per AASHTO M232.

OVERHEAD SIGN STRUCTURES
STEEL WALKWAY DETAILS

F.A. RTE.	SECTION	COUNTY	TOTAL SHEETS	SHEET NO.
Various	D-1 DVD SIN STR REPL 12-02	VARIOUS	39	33
CONTRACT NO. 46175				
ILLINOIS FED. AID PROJECT				

DESIGNED -	200
CHECKED -	EXAMINED
DRAWN -	PASSED
CHECKED -	ENGINEER OF BRIDGE DESIGN
	ENGINEER OF BRIDGES AND STRUCTURES

OS-S-5 SPECIAL 7/01/2006