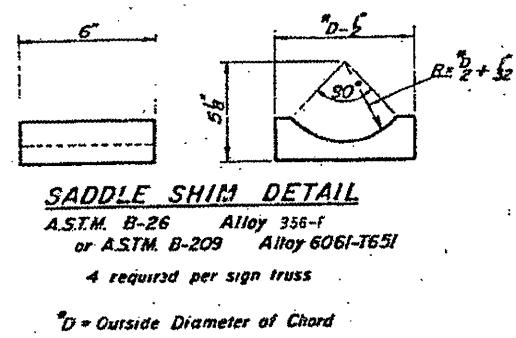
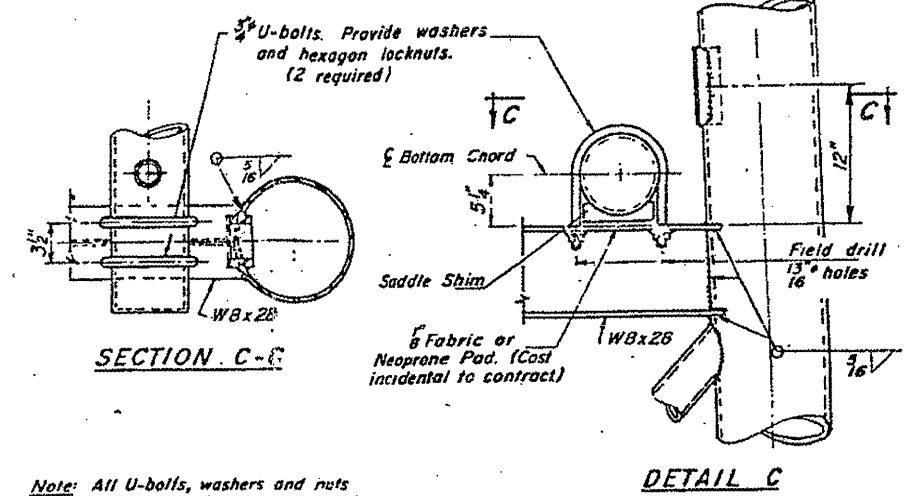
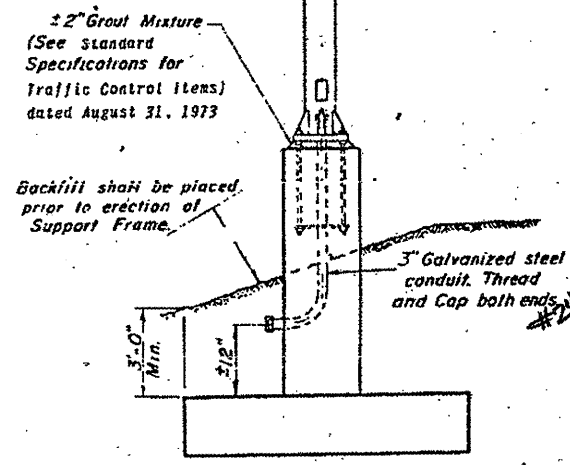
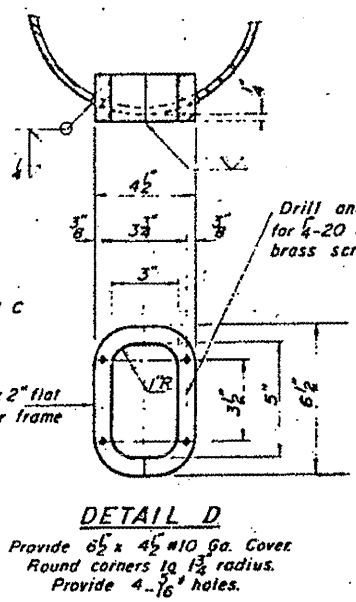
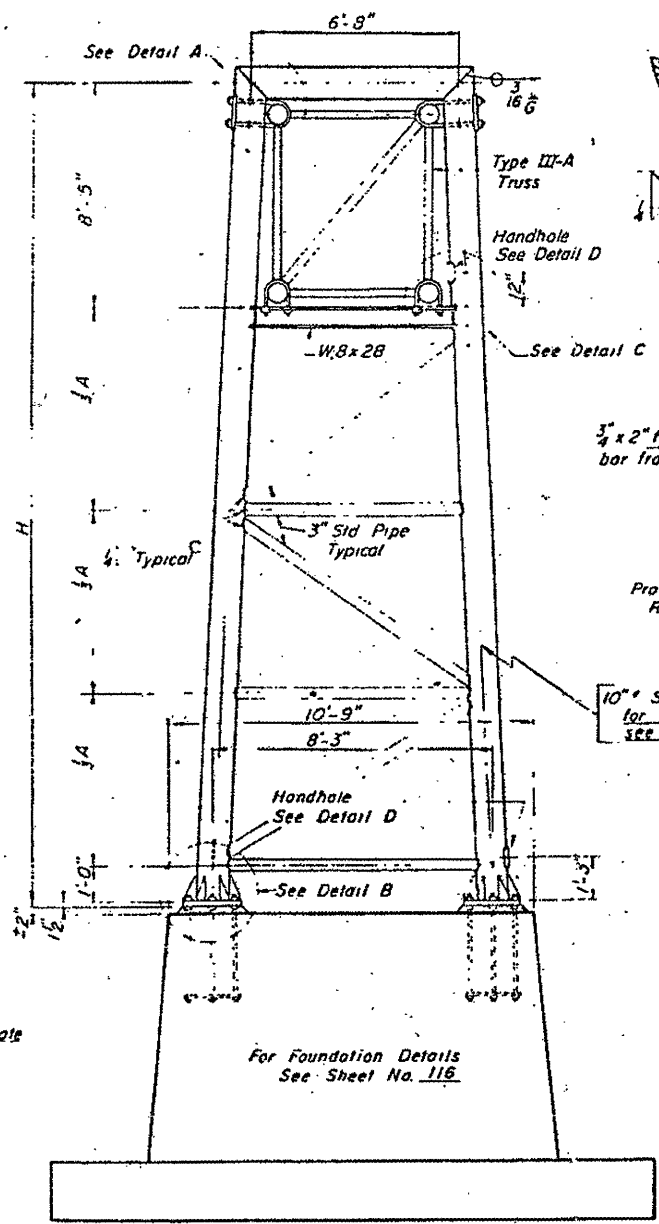
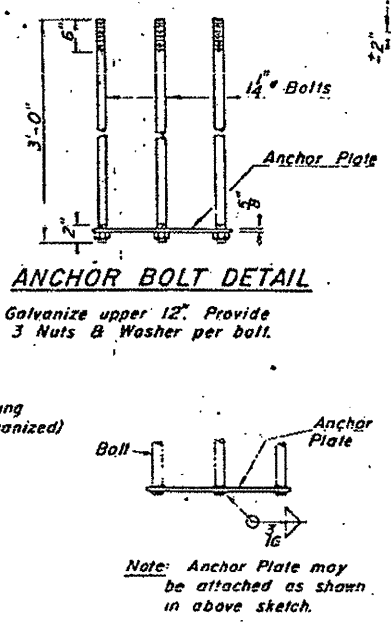
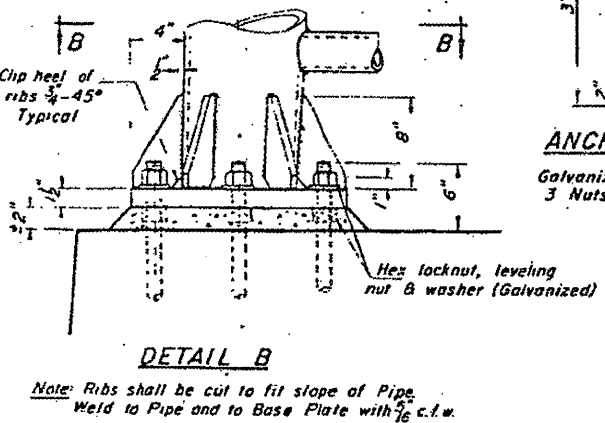
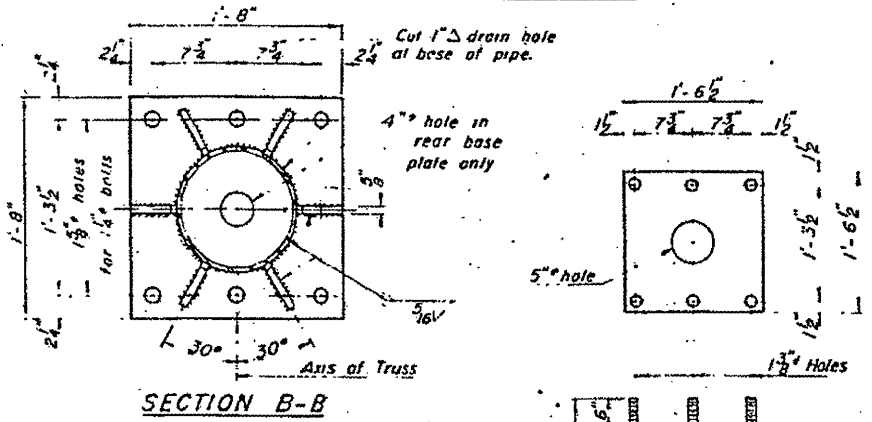
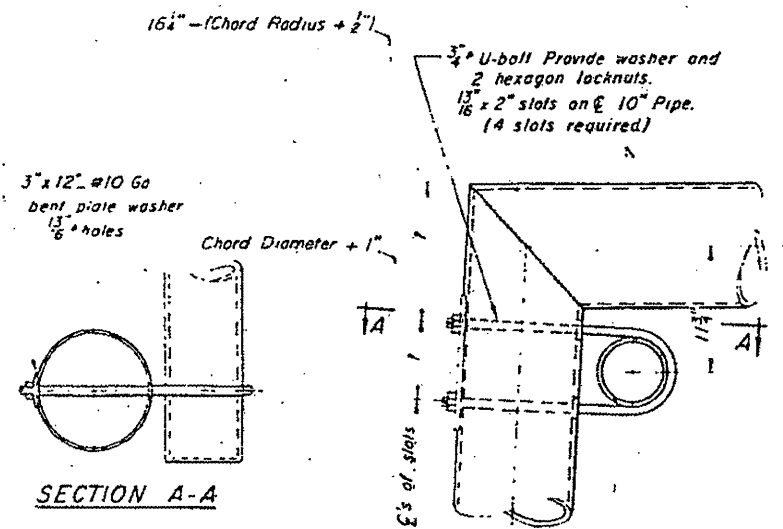


STATE OF ILLINOIS  
DEPARTMENT OF TRANSPORTATION

PROJECT NO.	SECTION	CONTRACT	SHEET NO.	SHEET NO.
55	(22,99) R-4	WILL DU PAGE	119	105
SHEETS				



Truss No.	Left Supp't	Right Supp't	Station	Wall Thickness	H	A
TRN-8	X	X	890 + 51 NB	.279"	26'-0 1/2"	16'-6"
TRS-10	X	X	916 + 41 SB	.279"	26'-0 1/2"	16'-6"
TRN-9	X	X	973 + 80 NB	.279"	26'-3 1/2"	16'-9"
TRS-12	X	X	1006 + 63 SB	.279"	25'-10 1/2"	16'-3 1/4"
RTR-16	X	X	1069 + 75 NB	.279"	26'-0 3/4"	16'-6 1/4"

DESIGNED	EXAMINED
CHECKED	PASSED
DRAWN Wm M Best	APPROVED
CHECKED	

TRUSS SUPPORT DETAILS  
(10" Std. Pipe - Type III-A Truss)  
W.O. # 24) 15022 1055L 274.9  
(FOR INFORMATION ONLY)

OVERHEAD SIGN STRUCTURES  
SUPPORT FRAME for ALUMINUM TRUSS

ILLINOIS DEPARTMENT OF TRANSPORTATION  
STEVENSON EXPRESSWAY

REVISIONS: NAME, DATE

SCALE: VERT NO SCALE, HORIZ

DATE: SEPTEMBER 1975 CHECKED BY: 35D. of 35