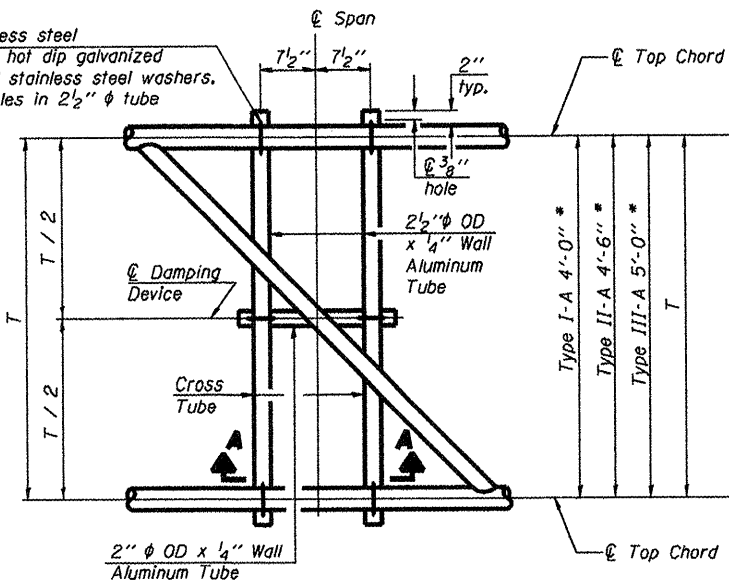
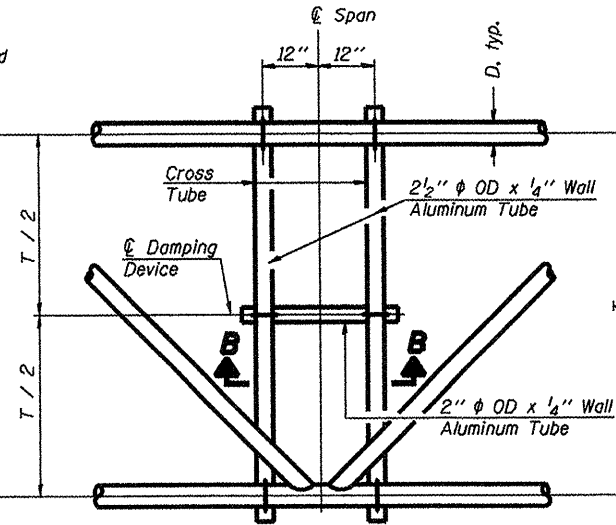


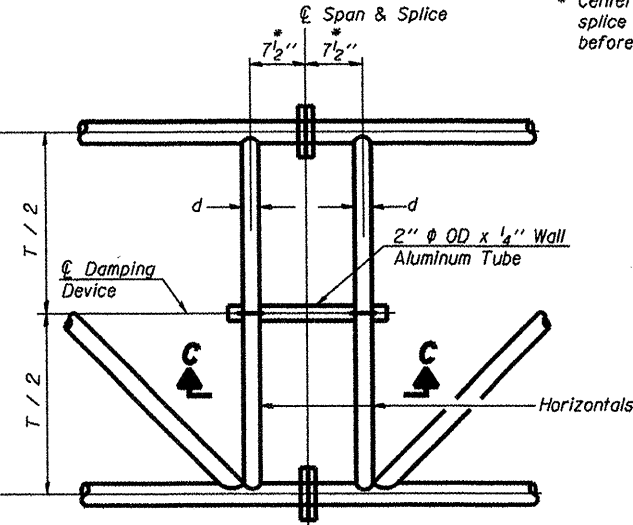
5/16" φ stainless steel
U-bolt with hot dip galvanized
locknuts and stainless steel washers,
typ. 3/8" φ holes in 2 1/2" φ tube



PLAN DETAIL "A"
Span between Panel Points



PLAN DETAIL "B"
Span at Panel Point

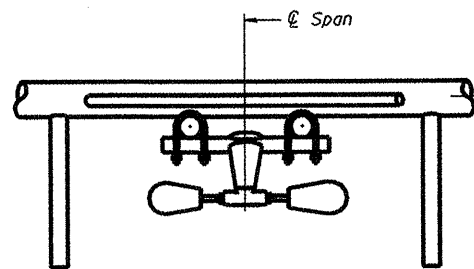


PLAN DETAIL "C"
Span at Chord Splice

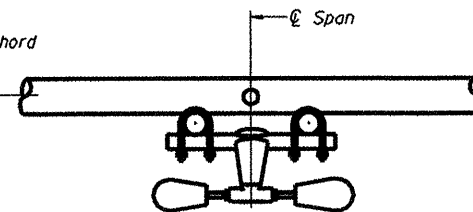
* Center of horizontal to center of
splice dimension may vary. Verify
before drilling holes in mounting tube.

NOTES

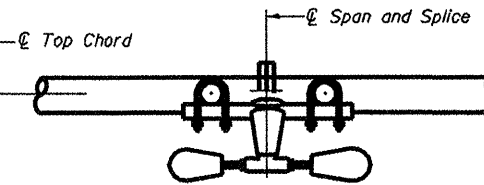
- Damper: One damper per truss. (31 lbs. minimum Stockbridge-Type Aluminum - 29" minimum between ends of weights) Cost included in Overhead Sign Structure...
- Materials: Materials: Aluminum tubes shall be ASTM B221 alloy 6061 temper T6. Cost included in Overhead Sign Structure...



SECTION A-A

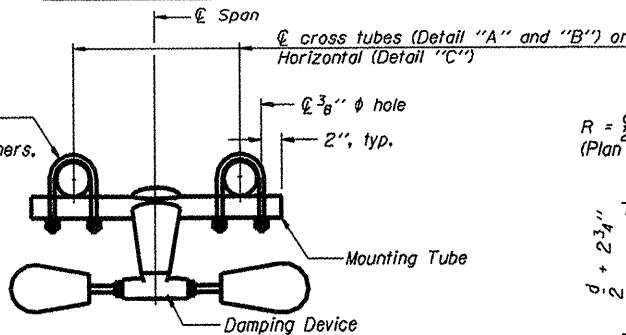


SECTION B-B

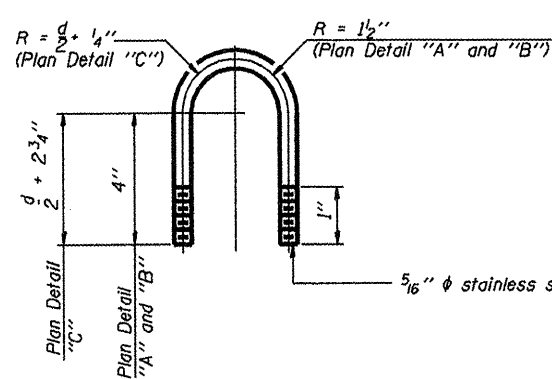


SECTION C-C

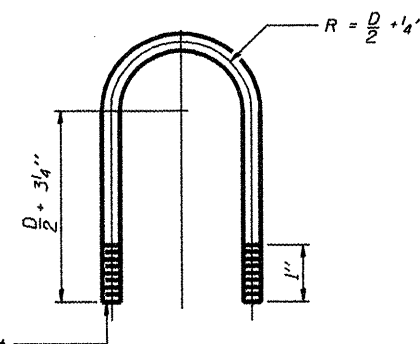
5/16" φ stainless steel
U-bolt with hot dip galvanized
locknuts and stainless steel washers,
typ. 3/8" φ holes in mounting tube



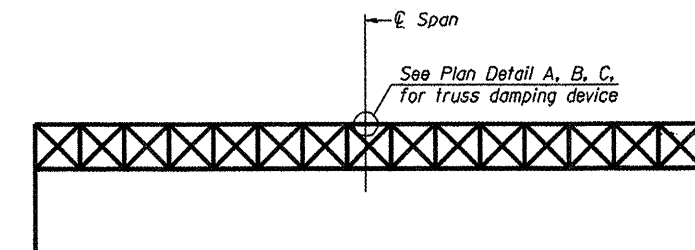
**TRUSS DAMPING
DEVICE CONNECTION DETAIL**
(Typical)



**DAMPING DEVICE MOUNTING
TUBE U-BOLT DETAIL**
(Typical)



**TOP CHORD TO CROSS TUBE
U-BOLT DETAIL**
(Typical - Detail "A" and "B")



ELEVATION
Aluminum Overhead
Sign Truss

OS-A-D

1-20-11

FILE NAME =	USER NAME = lmkd	DESIGNED -	REVISED -
Q:\BR\SIGN TRUSS\CADD Plans\2011-2 connect\PLANeng.dgn		DRAWN -	REVISED -
PLOT SCALE = 100.0000 / IN		CHECKED -	REVISED -
PLOT DATE = Wed Apr 06 15:29:06 2011		DATE -	REVISED -

STATE OF ILLINOIS
DEPARTMENT OF TRANSPORTATION

OVERHEAD SIGN STRUCTURE
DAMPING DEVICE

SCALE: SHEET NO. OF SHEETS STA. TO STA.

F.A. RTE.	SECTION	COUNTY	TOTAL SHEETS	SHEET NO.
var 0-2 OVD SIM STR REPL 12-03	VARIOUS	VARIOUS	28	8
CONTRACT NO. 46176			ILLINOIS FED. AID PROJECT	