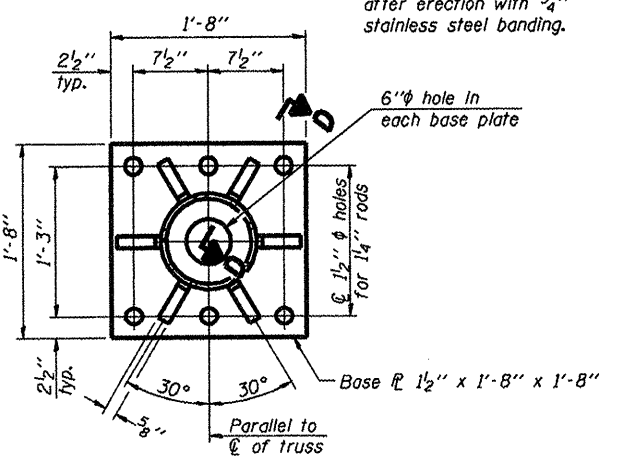
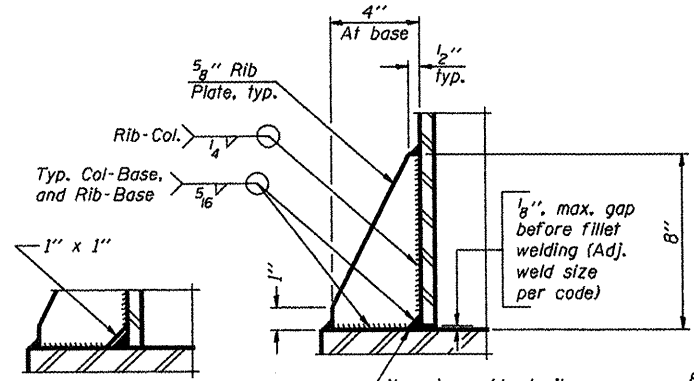


**DETAIL B**

Ribs shall be cut to fit slope of pipe.



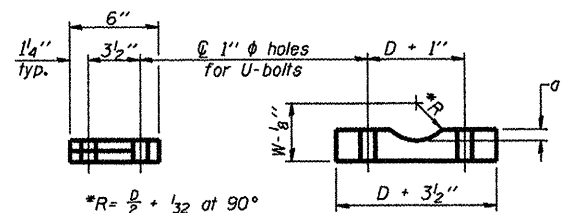
**SECTION B-B**



**SECTION D-D**

No snip req'd. at rib inside corner if placed before col. to base plate welding.

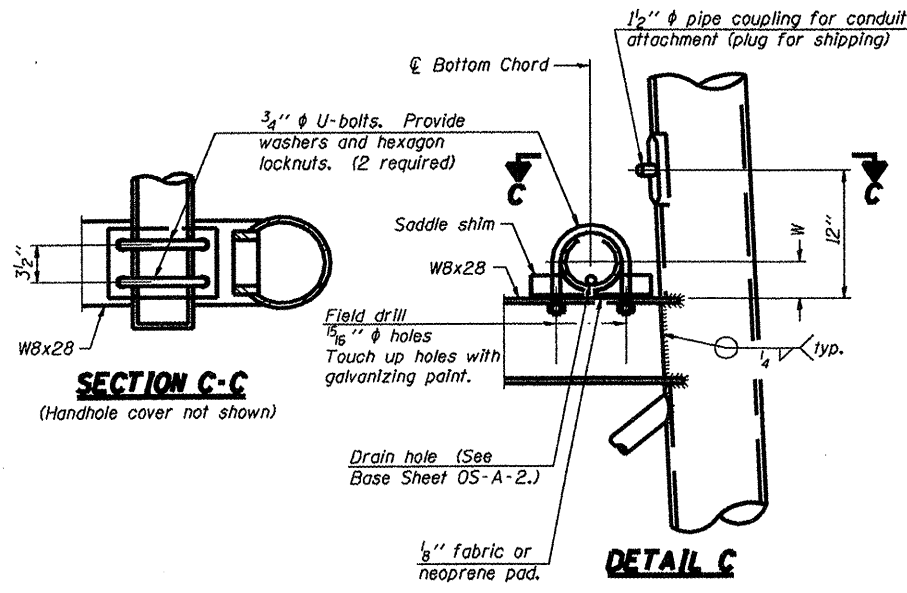
\*\* Alternate detail if welding col. to base plate first, then snip inside corner of ribs. Terminate weld on rib 1/4" from snip.



**SADDLE SHIM DETAIL**

ASTM B26 Alloy 356-F  
or  
ASTM B209 Alloy 6061-T651 (4 required per sign truss)

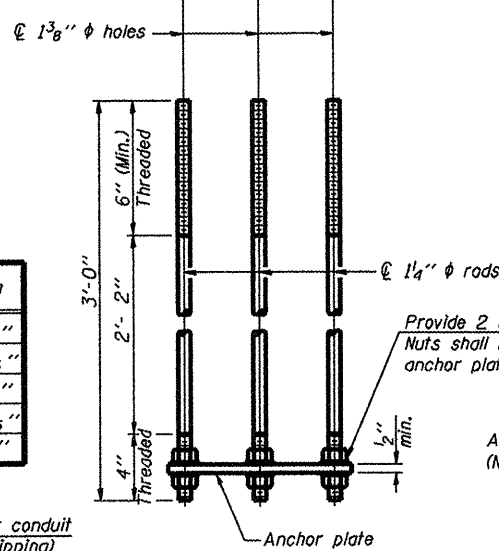
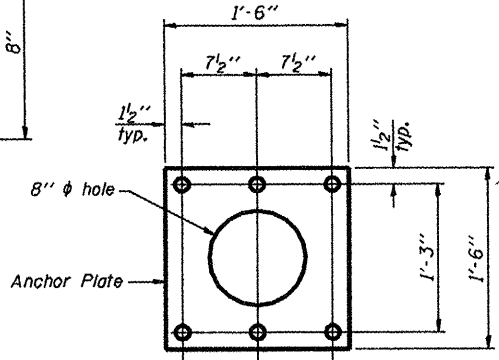
Truss Chord Nominal Dia.	a
5"	3/4"
5 1/2"	13/16"
6"	7/8"
6 1/2"	15/16"
7"	1"



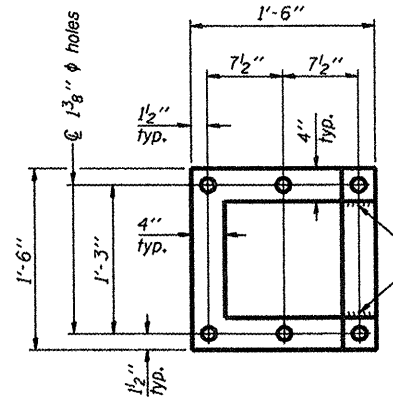
**SECTION C-C**

(Handhole cover not shown)

**DETAIL C**



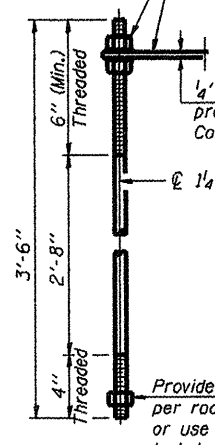
**ANCHOR ROD DETAIL**  
Spread Footing Foundation



**POSITIONING PLATE(S)**

At each location, provide 1/4" thick positioning plate(s) and six (6) additional nuts to be used with leveling nuts to maintain anchor bolts position during concrete placement.

1/4" plate and extra nuts become Contractor's property. Cost included in Drilled Shaft Concrete Foundations.



**ANCHOR ROD DETAIL**  
Drilled Shaft Foundation

All Thread = NC (National Coarse)

Provide 1 nut per rod. Deform thread or use chemical thread lock to secure.

Anchor rods shall conform to ASTM F1554 Grade 105. Galvanize upper 12" minimum per AASHTO M232. No welding shall be permitted on rods.

**10" PIPE SUPPORT FRAME DETAILS**

OS-A-6A

1-20-11

FILE NAME =	USER NAME = Inkdj	DESIGNED -	REVISD -
D:\BR\SIGN TRUSS\CADD Plans\2011-2 cont\01\PLANeng.dgn		DRAWN -	REVISD -
PLOT SCALE = 100.0000 / IN.		CHECKED -	REVISD -
PLOT DATE = Wed Apr 06 15:29:34 2011		DATE -	REVISD -

STATE OF ILLINOIS  
DEPARTMENT OF TRANSPORTATION

OVERHEAD SIGN STRUCTURES			
SUPPORT FRAME DETAILS - ALUMINUM TRUSS			
SCALE:	SHEET NO. OF SHEETS	STA. TO STA.	

F.A. R.T.E.	SECTION	COUNTY	TOTAL SHEETS	SHEET NO.
	var 1-2 OVD SIN STR REPL 12-03	VARIOUS	28	10
			CONTRACT NO.	46176
ILLINOIS FED. AID PROJECT				