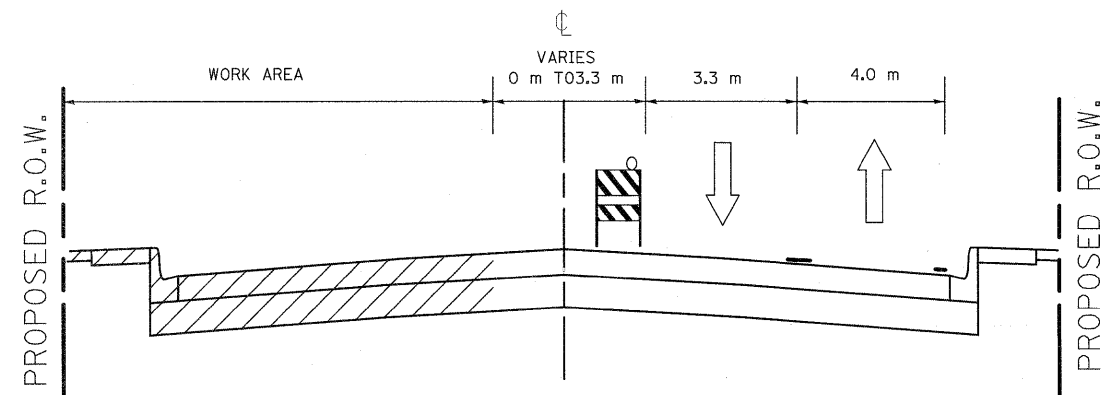


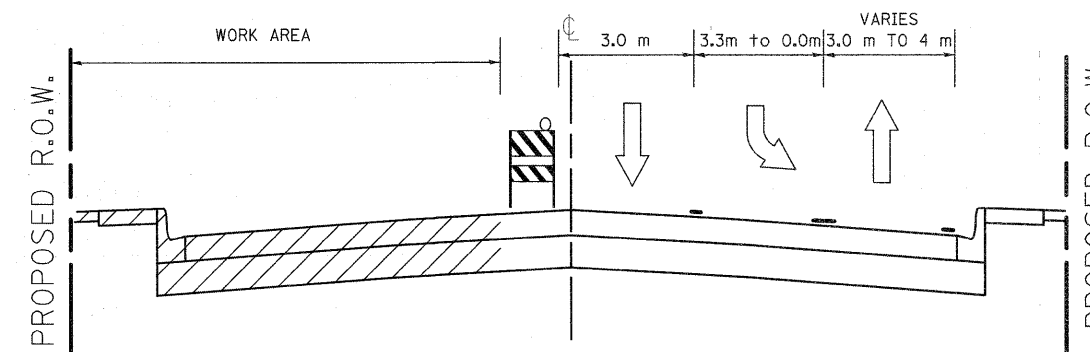
F.A.P. RTE.	SECTION	COUNTY	TOTAL SHEETS	SHEET NO.
840	143 N	WILL	121	18
STA.		TO STA.		
FED. ROAD DIST. NO. 1		ILLINOIS FED. AID PROJECT		

CONTRACT NO. - 60445



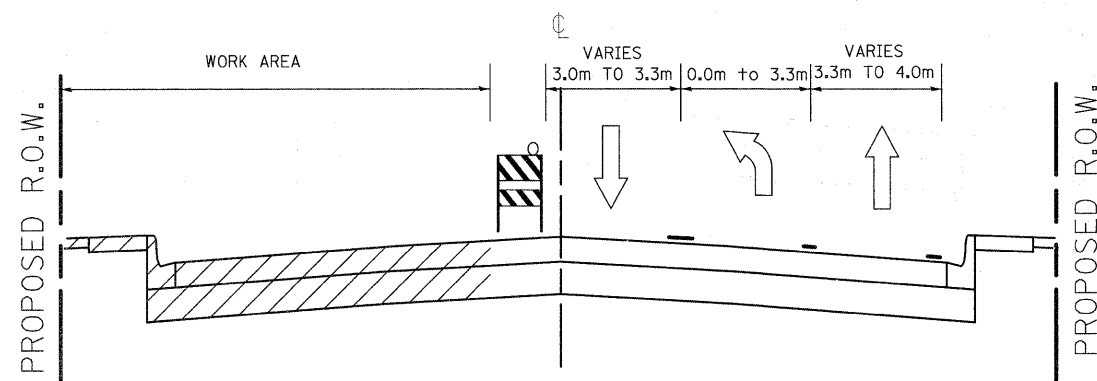
STA. 1+160 TO STA. 1+316

STAGE III



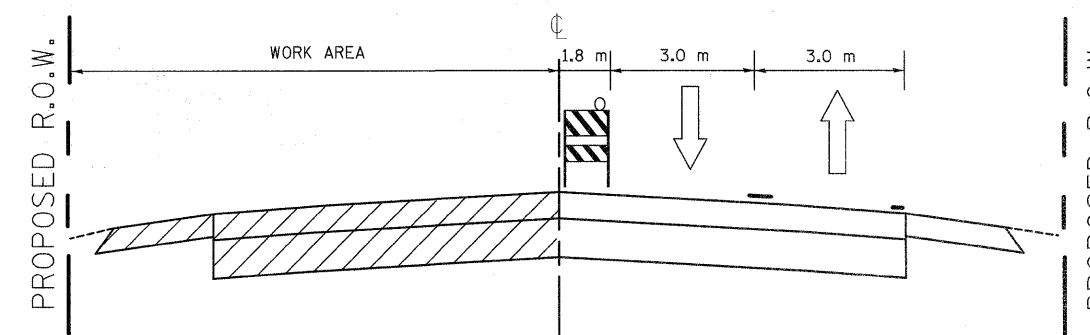
STA. 1+459 TO STA. 1+600

STAGE III



STA. 1+316 TO STA. 1+459

STAGE III



STA. 1+600 TO STA. 1+640

STAGE III

* TEMPORARY WIDENING

- ① EARTH WORK EXCAVATION, 258 mm (10 1/4")
- ② HMA SURFACE COURSE, MIX "D", N50, 38 mm (1 1/2")
- ③ HMA BINDER, IL-19, N70, 120 mm (4.75")
- ④ SUB-BASE GRANULAR MATERIAL, TYPE B, 200 mm (4")

NOTE: WIDTH VARIES (1M TO 1.75M)

REVISIONS		ILLINOIS DEPARTMENT OF TRANSPORTATION IL-50 TYPICAL CROSS SECTIONS FOR SUGGESTED CONSTRUCTION STAGING STAGE III
NAME	DATE	

SCALE:
DATE: 5/11/2011

DRAWN BY
CHECKED BY