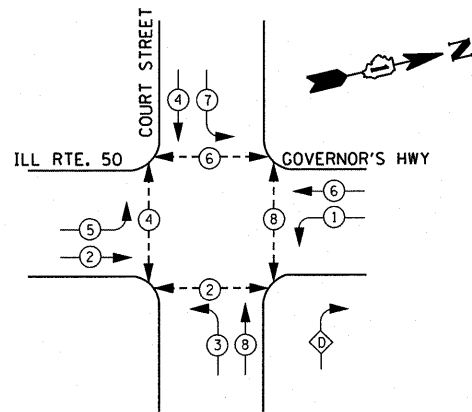


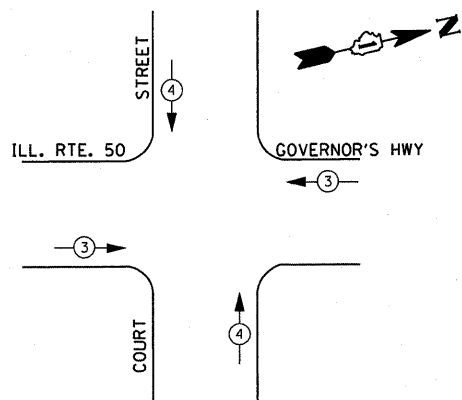
CONTROLLER SEQUENCE



LEGEND

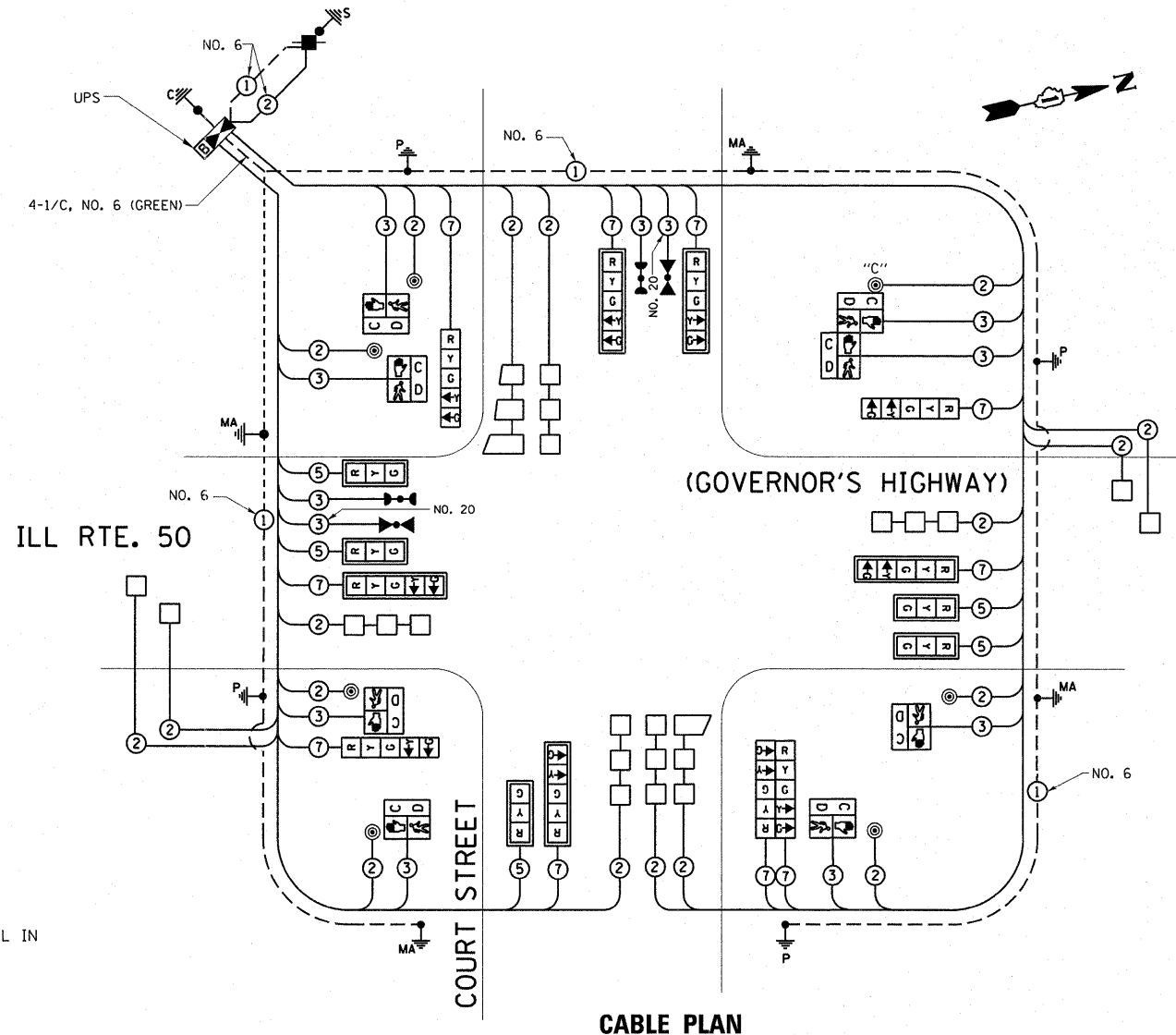
- RIGHT TURN OVERLAP
- DUAL ENTRY PHASE
- PEDESTRIAN PHASE
- NUMBER REFERS TO ASSOCIATED PHASE

PHASE DESIGNATION DIAGRAM



PROPOSED EMERGENCY VEHICLE PREEMPTORS		
EMERGENCY VEHICLE PREEMPTOR	3	4
MOVEMENT		

EMERGENCY VEHICLE PREEMPTION SEQUENCE



CABLE PLAN

PUSH BUTTON NOTES:

PUSH BUTTON "C" SHALL PLACE A CALL IN PHASES 6 AND 8

SCHEDULE OF QUANTITIES

QTY.	UNITS	ITEM DESCRIPTION	QTY.	UNITS	ITEM DESCRIPTION
41.2	SO M	DETECTABLE WARNINGS	176.3	METER	CONDUIT IN TRENCH, 50MM DIA., GALVANIZED STEEL
5.0	EACH	HANDHOLE	21.9	METER	CONDUIT IN TRENCH, 65MM DIA., GALVANIZED STEEL
4.0	EACH	HEAVY-DUTY HANDHOLE	3.0	METER	CONDUIT IN TRENCH, 100MM DIA., GALVANIZED STEEL
2.0	EACH	DOUBLE HANDHOLE	81.1	METER	CONDUIT PUSHED, 50MM DIA., GALVANIZED STEEL
5.0	EACH	SIGNAL HEAD, L.E.D., 1-FACE, 3-SECTION, MAST ARM MOUNTED	12.7	METER	CONDUIT PUSHED, 65MM DIA., GALVANIZED STEEL
3.0	EACH	SIGNAL HEAD, L.E.D., 1-FACE, 5-SECTION, BRACKET MOUNTED	73.37	METER	CONDUIT PUSHED, 100MM DIA., GALVANIZED STEEL
5.0	EACH	SIGNAL HEAD, L.E.D., 1-FACE, 5-SECTION, MAST ARM MOUNTED	322.4	METER	ELECTRIC CABLE IN CONDUIT, GROUNDING NO. 6 1C (GREEN)
1.0	EACH	SIGNAL HEAD, L.E.D., 2-FACE, 5-SECTION, BRACKET MOUNTED	552.77	METER	ELECTRIC CABLE IN CONDUIT, SIGNAL NO. 14 2C
6.0	EACH	PEDESTRIAN SIGNAL HEAD, L.E.D., 1-FACE, BRACKET MOUNTED WITH COUNTDOWN TIMER	469.6	METER	ELECTRIC CABLE IN CONDUIT, SIGNAL NO. 14 3C
1.0	EACH	PEDESTRIAN SIGNAL HEAD, L.E.D., 2-FACE, BRACKET MOUNTED WITH COUNTDOWN TIMER	236.6	METER	ELECTRIC CABLE IN CONDUIT, SIGNAL NO. 14 5C
1.0	EACH	TRAFFIC SIGNAL BACKPLATE, LOUVERED, ALUMINUM	523.9	METER	ELECTRIC CABLE IN CONDUIT, SIGNAL NO. 14 7C
10.0	EACH	INDUCTIVE LOOP DETECTOR	560.6	METER	ELECTRIC CABLE IN CONDUIT, LEAD-IN, NO. 14 1 PAIR
11.0	EACH	DETECTOR LOOP, TYPE I	49.8	METER	ELECTRIC CABLE IN CONDUIT, SERVICE, NO. 6 2 C
261.0	METER	TEMPORARY TRAFFIC SIGNAL INSTALLATION	4.0	EACH	TRAFFIC SIGNAL POST, GALVANIZED STEEL 4.85 METER
1.0	EACH	* LIGHT DETECTOR	1.0	EACH	STEEL COMBINATION MAST ARM ASSEMBLY AND POLE, 10.97 METER
2.0	EACH	* LIGHT DETECTOR AMPLIFIER	1.0	EACH	STEEL COMBINATION MAST ARM ASSEMBLY AND POLE, 11.58 METER
1.0	EACH	FULL-ACTUATED CONTROLLER AND TYPE IV CABINET	2.0	EACH	STEEL COMBINATION MAST ARM ASSEMBLY AND POLE, 12.80 METER
1.0	EACH	PEDESTRIAN PUSH-BUTTON	4.8	METER	CONCRETE FOUNDATION, TYPE A
7.0	EACH	SERVICE INSTALLATION, POLE MOUNT	18.4	METER	CONCRETE FOUNDATION, TYPE E 750MM DIAMETER
1.0	EACH	REMOVE EXISTING TRAFFIC SIGNAL EQUIPMENT	82.2	METER	* ELECTRIC CABLE IN CONDUIT NO. 20 3/C, TWISTED SHIELDED
1.26	SO M	SIGN PANEL-TYPE 1	195.0	METER	TRENCH AND BACKFILL FOR ELECTRICAL WORK
2.78	SO M	SIGN PANEL-TYPE 2	1	EACH	UNINTERRUPTABLE POWER SUPPLY (UPS)
			1.22	METER	CONCRETE FOUNDATION TYPE C

* 100% COST TO VILLAGE OF MONEE FIRE PROTECTION DISTRICT.