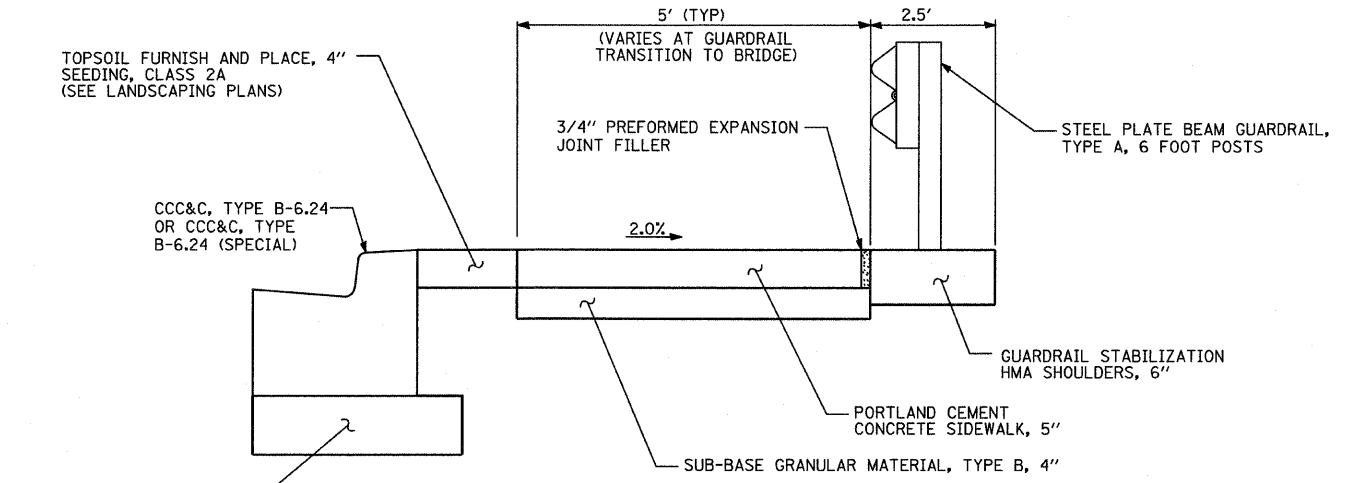


**COMBINATION CONCRETE CURB AND GUTTER, TYPE B-6.24**

(NOT TO SCALE)

**NOTES:**

1. USED WITHIN THE RECONSTRUCTION LIMITS.
2. SEE STATE STANDARD 606001 FOR ADDITIONAL B-6.24 DIMENSIONS.

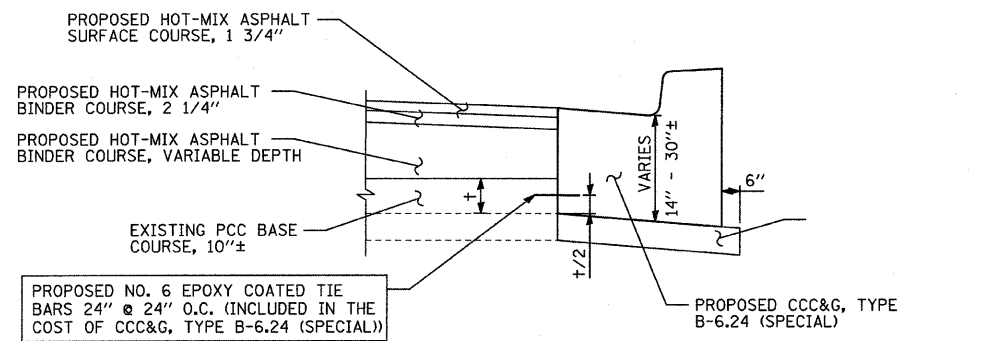


**PCC SIDEWALK**

(NOT TO SCALE)

**NOTES:**

1. WHERE EXISTING SIDEWALK MEETS PROPOSED SIDEWALK, CONTRACTOR SHALL SAWCUT EXISTING SIDEWALK AT NEAREST CONTROL JOINT AND INSTALL 3/4" PREFORMED EXPANSION JOINT FILLER. (PREFORMED JOINT FILLER IS INCLUDED IN THE COST OF PCC SIDEWALK)

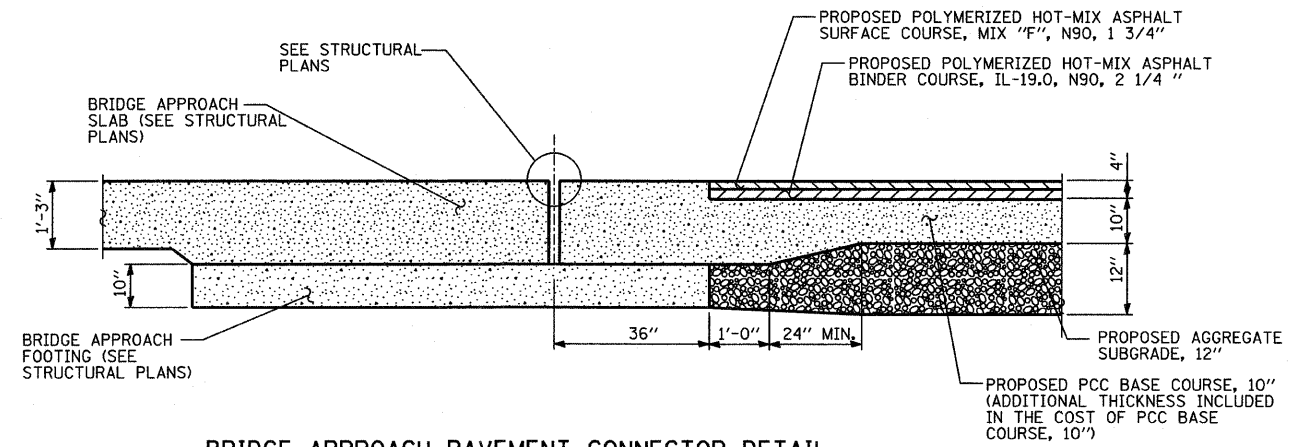


**COMBINATION CONCRETE CURB AND GUTTER, TYPE B-6.24 (SPECIAL)**

(NOT TO SCALE)

**NOTES:**

1. USED WITHIN THE RESURFACING LIMITS.
2. SEE STATE STANDARD 606001 FOR ADDITIONAL B-6.24 DIMENSIONS.



**BRIDGE APPROACH PAVEMENT CONNECTOR DETAIL**

(AT RIGHT L's NOT TO SCALE)

**NOTES:**

1. SEE STRUCTURAL PLANS FOR APPROACH PAVEMENT DETAILS.
2. ALL WORK SHALL CONFORM TO STATE STANDARDS 420401.

<b>TYLIN INTERNATIONAL</b>	USER NAME = #USER#	DESIGNED - JDU	REVISED -
	PLOT SCALE = #SCALE#	DRAWN - JDU	REVISED -
	PLOT DATE = 4/29/2011	CHECKED - SES	REVISED -
		DATE - 5/5/2011	REVISED -

**STATE OF ILLINOIS  
DEPARTMENT OF TRANSPORTATION**

**KEDZIE AVENUE PROJECT  
CCC&G, PCC SIDEWALK, AND APPROACH PAVEMENT CONNECTOR DETAILS**

SCALE: N.T.S. SHEET NO. 1 OF 1 SHEETS STA. TO STA.

F.A. RTE.	SECTION	COUNTY	TOTAL SHEETS	SHEET NO.
57	1313.1B-1	COOK	162	51
CONTRACT NO. 60K14				
FED. ROAD DIST. NO. ILLINOIS FED. AID PROJECT				