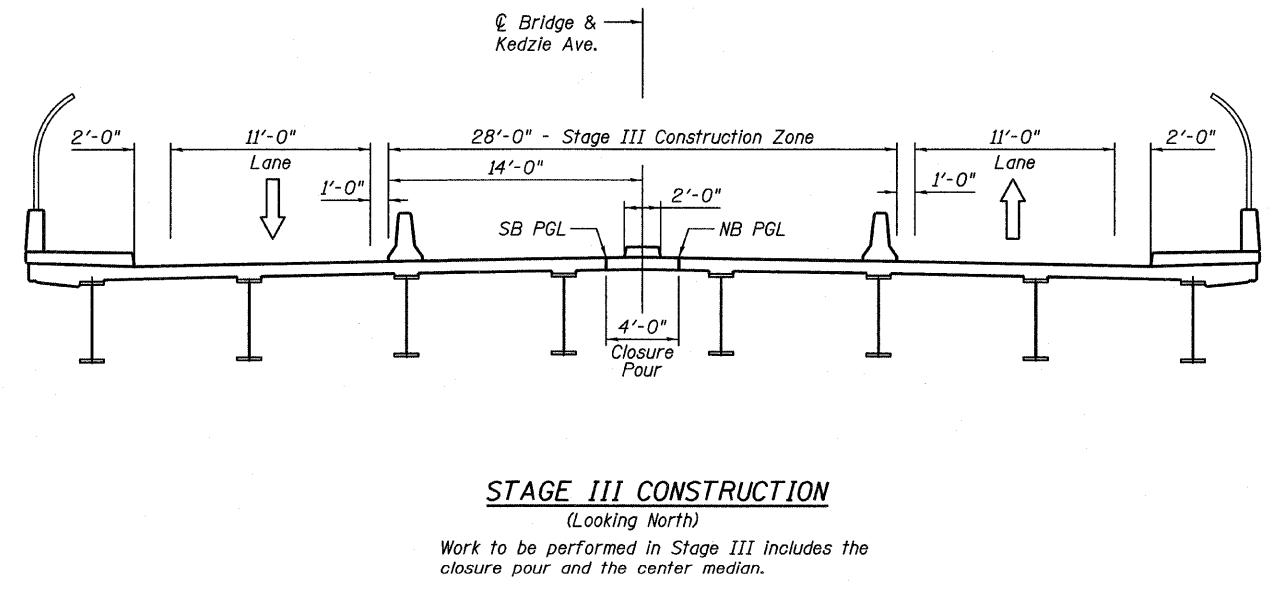
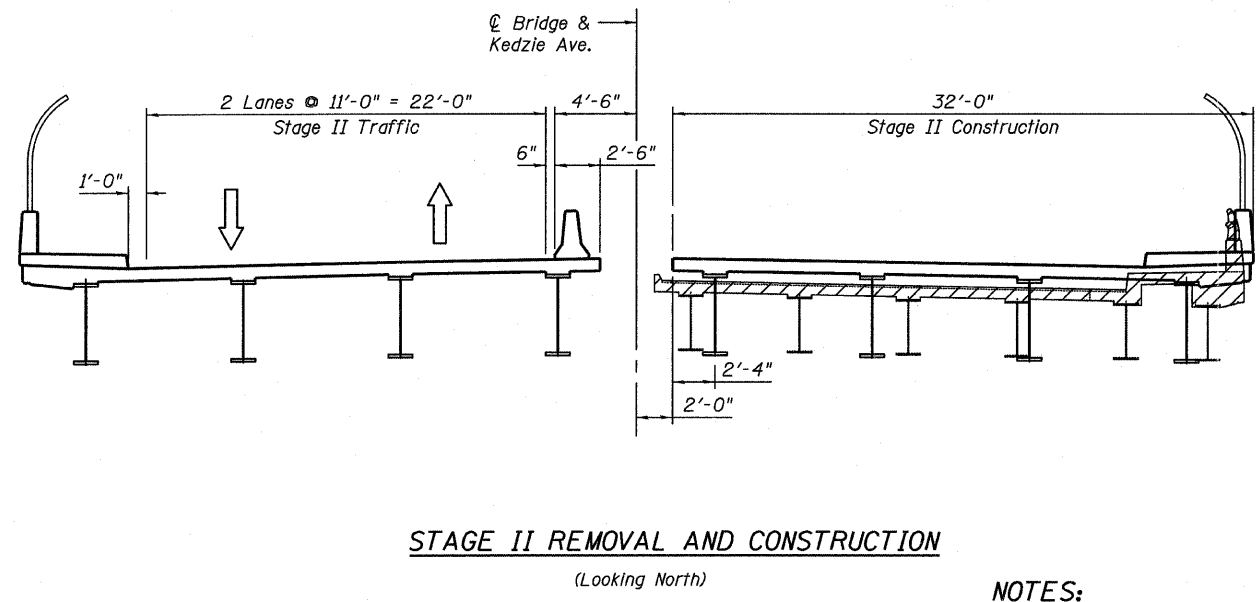
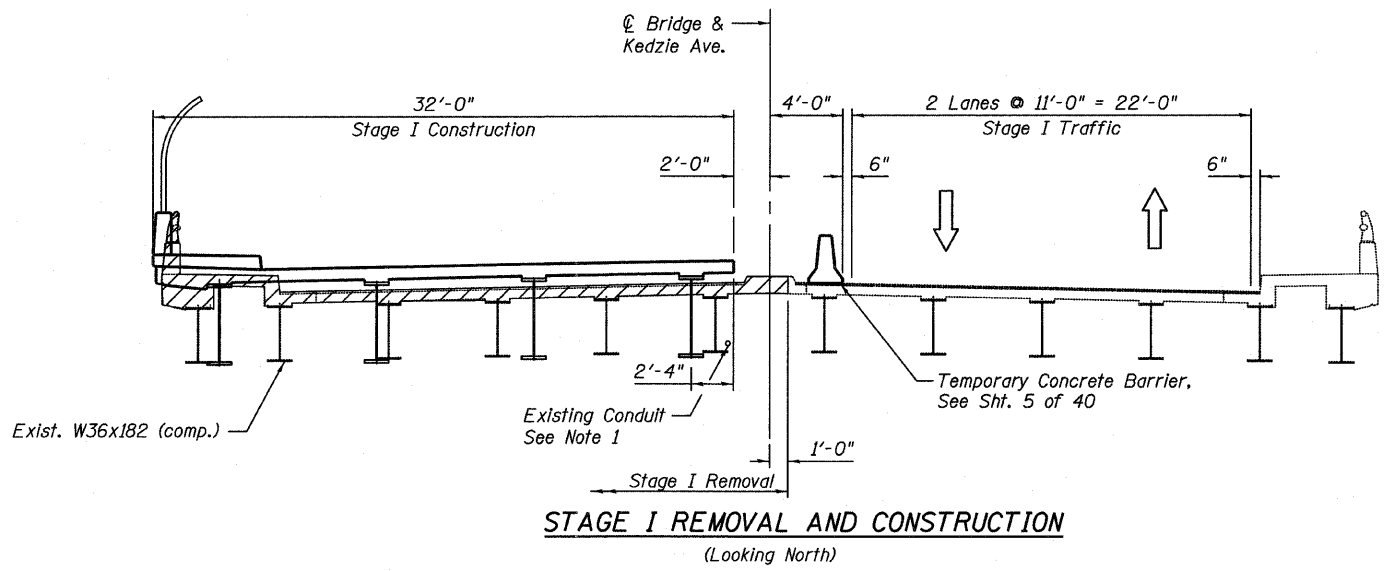


P:\602540(57-294)\STRUCTURAL\kedzie over 157\final structure plans-active\01

1:34:08 PM



NOTES:

1. The existing conduit for underpass lighting and bridge mounted sign structures shall be removed, See Special Provisions.
2. For quantity of Temporary Concrete Barrier, see Roadway Plans.
3. Hatched area Indicates Removal of Existing Structures.

TYLIN INTERNATIONAL	USER NAME =	DESIGNED - LS, SP	REVISED -	STATE OF ILLINOIS DEPARTMENT OF TRANSPORTATION	STAGE CONSTRUCTION STRUCTURE NO. 016-1196	F.A.I RTE.	SECTION	COUNTY	TOTAL SHEETS	SHEET NO.
	PLOT SCALE =	CHECKED - SP, PDF	REVISED -			57	1313.1B-1	COOK	162	64
	PLOT DATE = 5/5/2011	DRAWN - DY, PMW	REVISED -			CONTRACT NO. 60K14			ILLINOIS FED. AID PROJECT	
				SHEET NO. 3 OF 40 SHEETS						