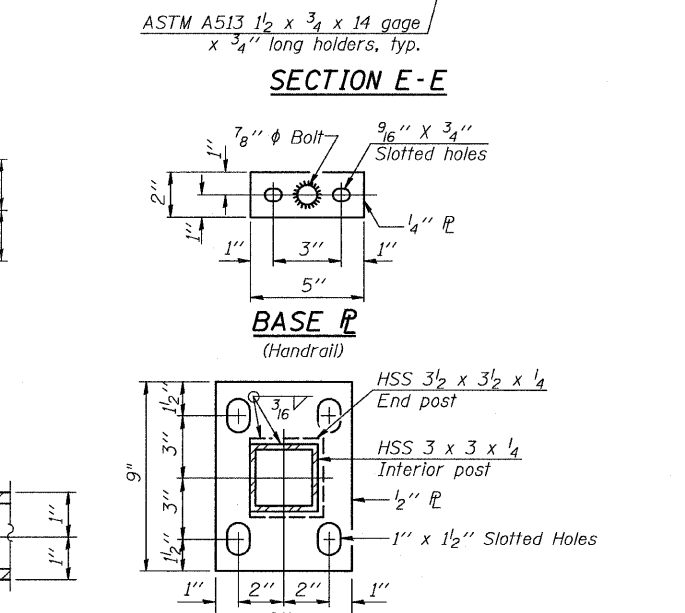
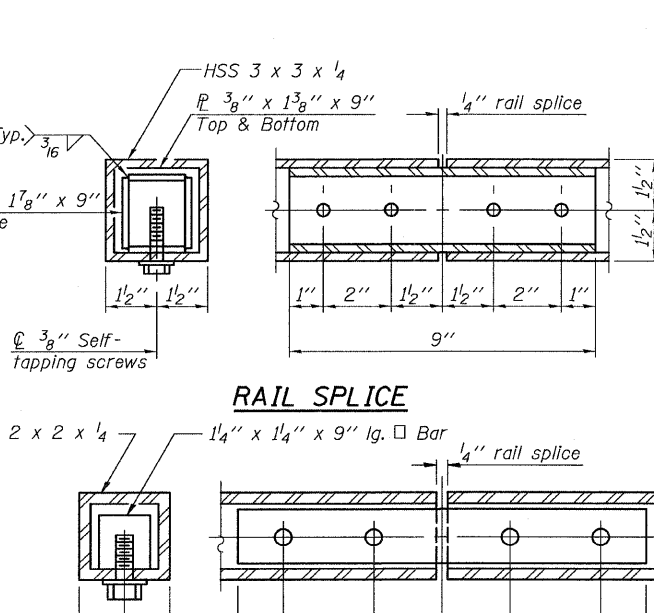
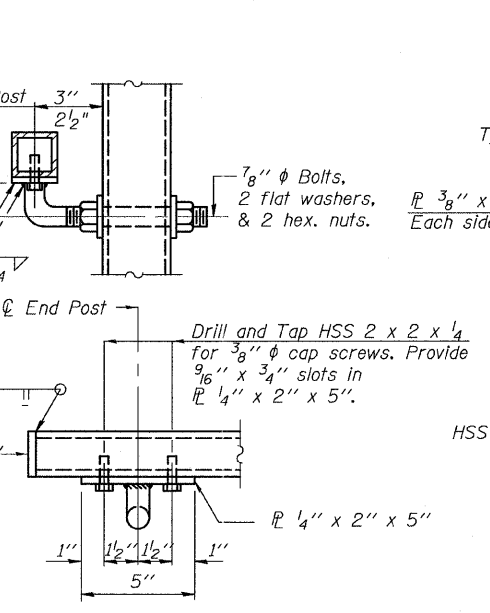
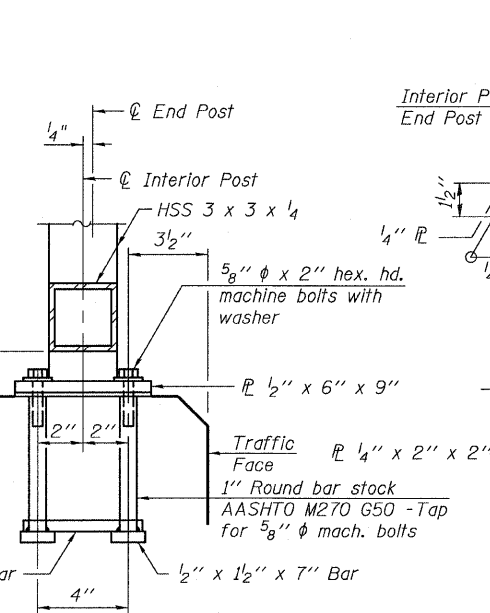
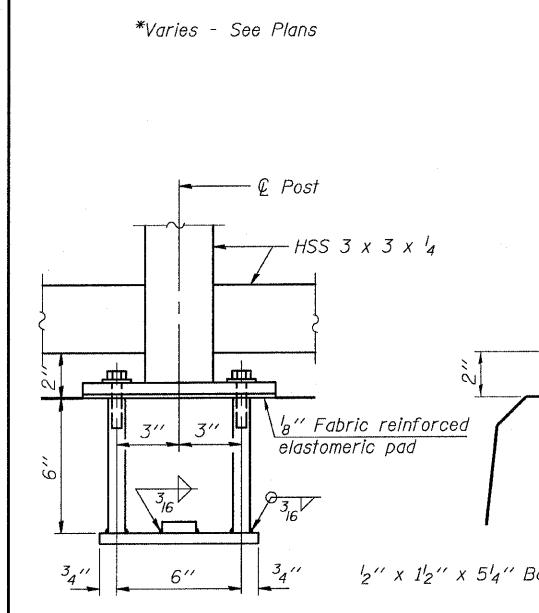
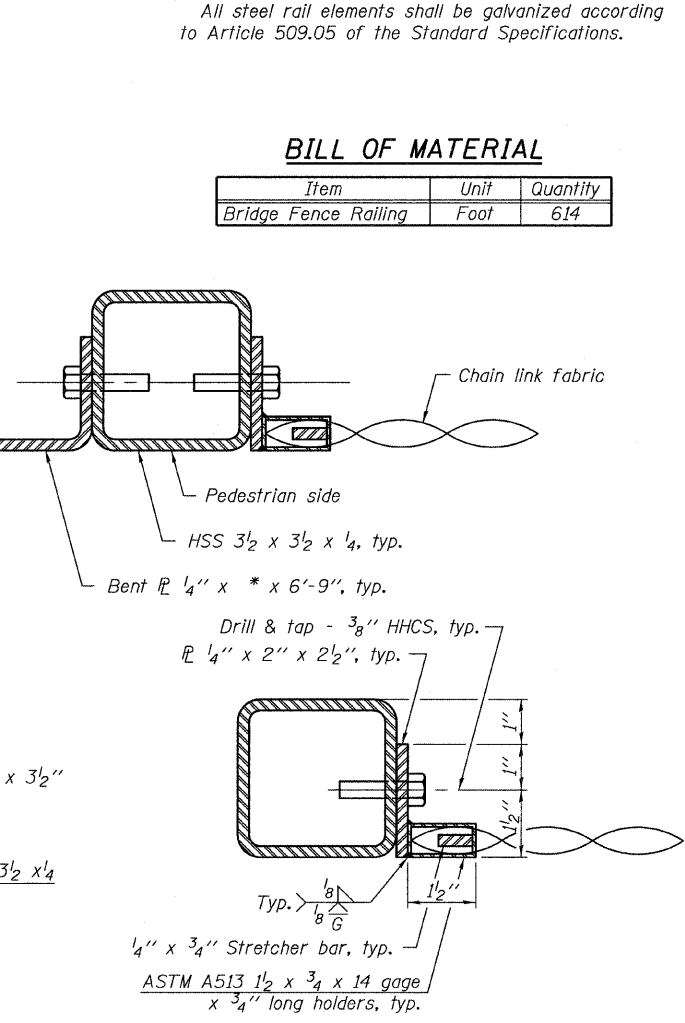
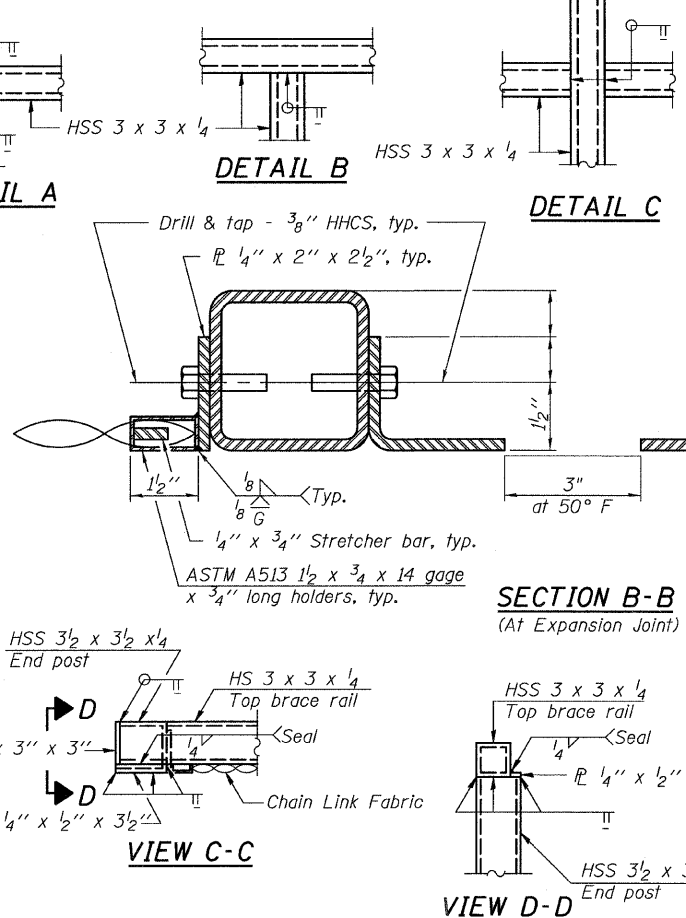
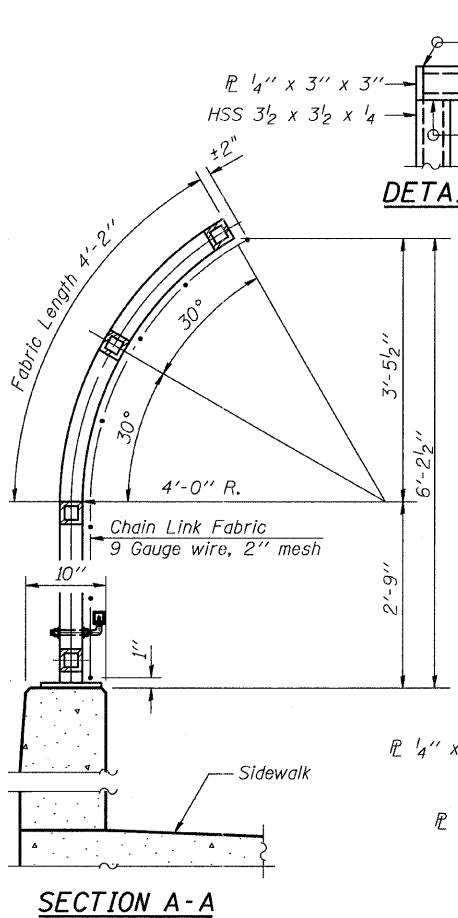
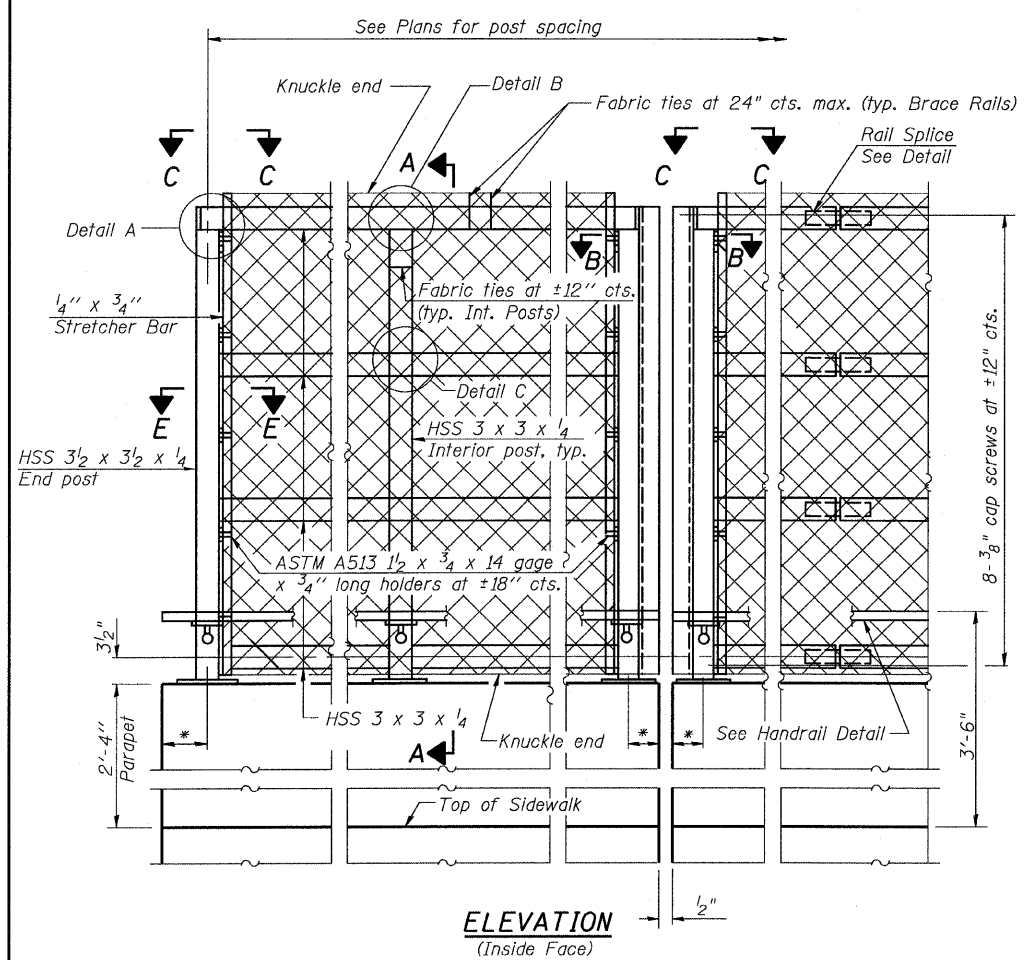


All steel rail elements shall be galvanized according to Article 509.05 of the Standard Specifications.

**BILL OF MATERIAL**

Item	Unit	Quantity
Bridge Fence Railing	Foot	614



R-32 7-1-10

<b>TYLIN INTERNATIONAL</b>	USER NAME =	DESIGNED -	REVISED -
	PLOT SCALE =	CHECKED -	REVISED -
	PLOT DATE = 5/5/2011	DRAWN -	REVISED -
		CHECKED -	REVISED -

**STATE OF ILLINOIS**  
**DEPARTMENT OF TRANSPORTATION**

**BRIDGE FENCE RAILING PARAPET MOUNTED**  
**STRUCTURE NO. 016-1196**

SHEET NO. 20 OF 40 SHEETS

F.A.I. RTE. 57	SECTION 1313.1B-1	COUNTY COOK	TOTAL SHEETS 162	SHEET NO. 81
			CONTRACT NO. 60K14	
ILLINOIS FED. AID PROJECT				