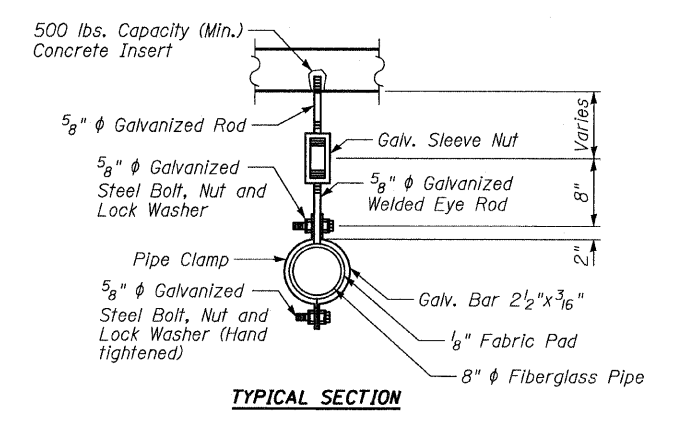
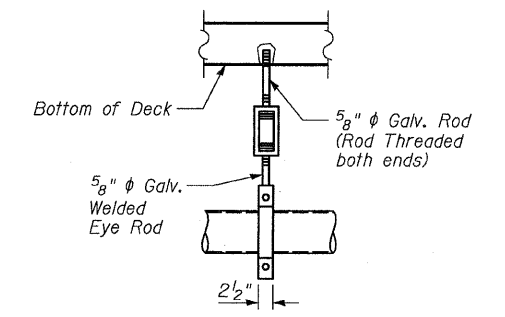


PLAN

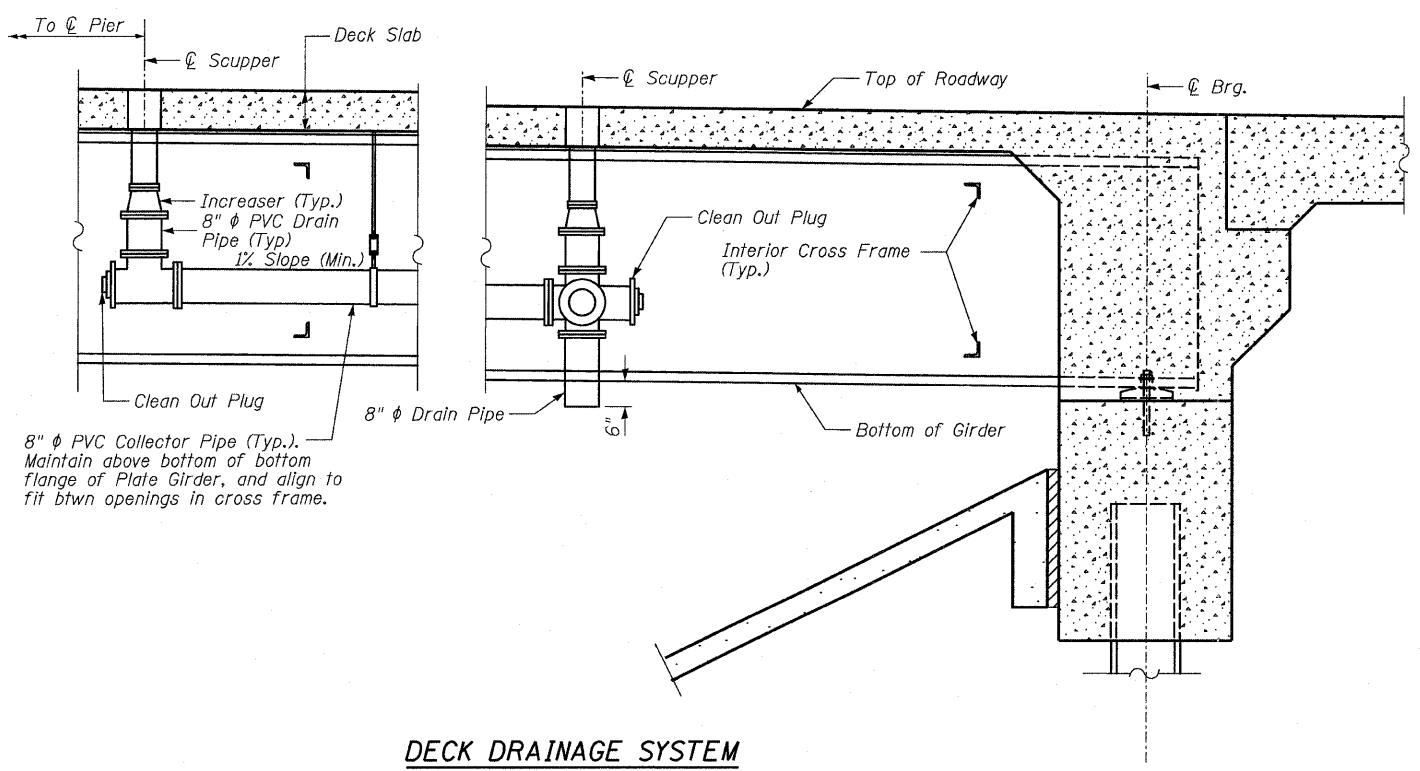


TYPICAL SECTION

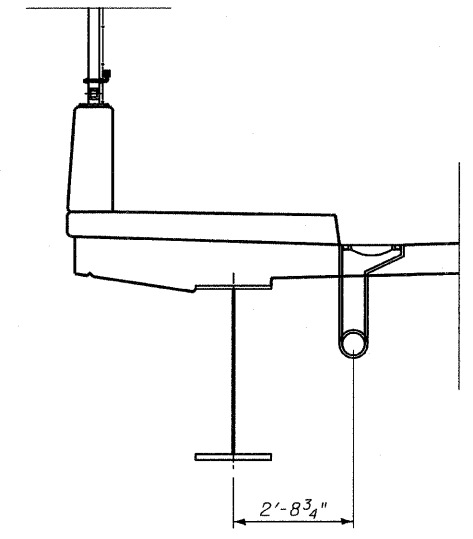


ELEVATION

PIPE HANGER DETAIL



DECK DRAINAGE SYSTEM



NOTES

1. See Special Provisions for additional requirements.
2. Pipe hangers shall have a load capacity of not less than 500 lbs.

BILL OF MATERIAL

ITEM	UNIT	TOTAL
Drainage System	LSUM	1

TYLIN INTERNATIONAL

USER NAME =	DESIGNED - JKO	REVISED -
PLOT SCALE =	CHECKED - SBK	REVISED -
PLOT DATE = 5/5/2011	DRAWN - SAM	REVISED -
	CHECKED - JKO	REVISED -

STATE OF ILLINOIS
DEPARTMENT OF TRANSPORTATION

DRAINAGE SYSTEM
STRUCTURE NO. 016-1196
SHEET NO. 21 OF 40 SHEETS

F.A.I. RTE.	SECTION	COUNTY	TOTAL SHEETS	SHEET NO.
57	1313.1B-1	COOK	162	82
			CONTRACT NO. 60K14	
ILLINOIS FED. AID PROJECT				

P:\602540(57-294)\STRUCTURAL\kedzie over I57\final structure plans-active\0161196-60J27-021-Drainage.dgn 5/3/2011 1:40:57 PM