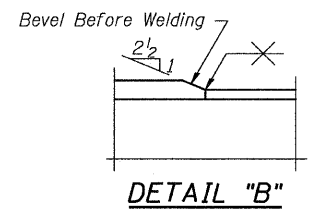
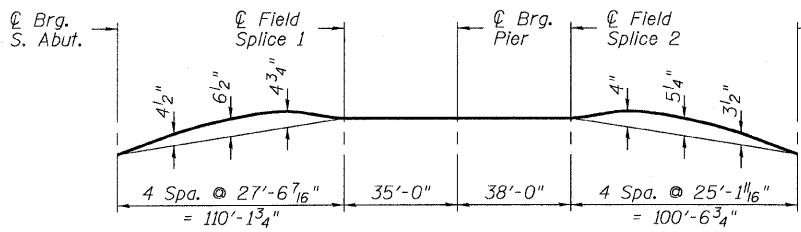


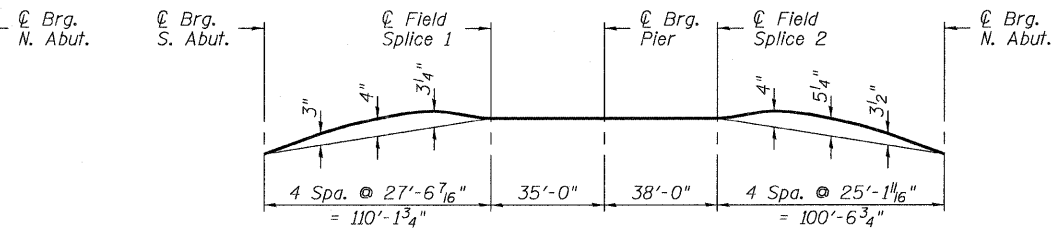
**SECTION A-A**



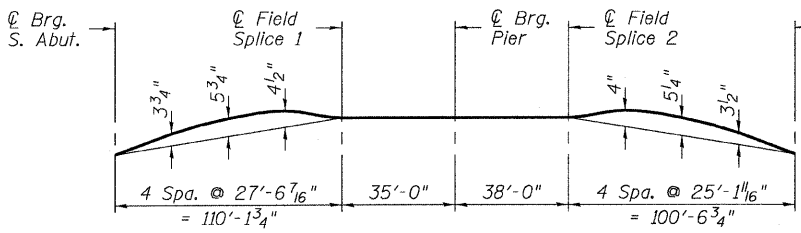
**DETAIL B**



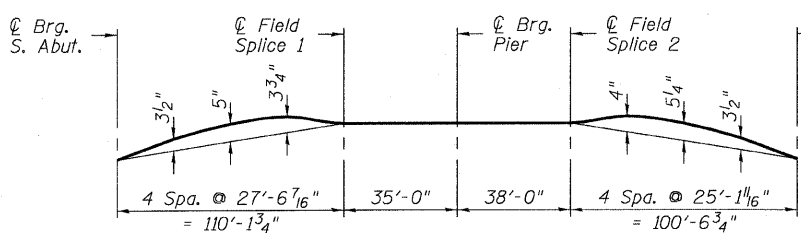
**CAMBER DIAGRAM - GIRDERS 1 THRU 5**



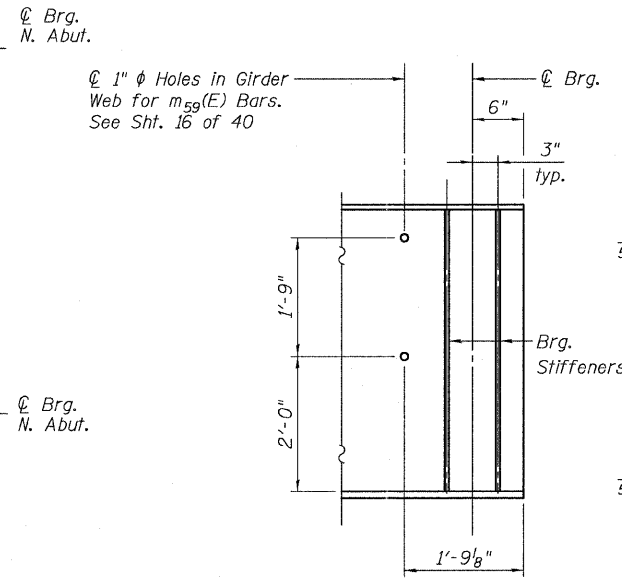
**CAMBER DIAGRAM - GIRDER 8**



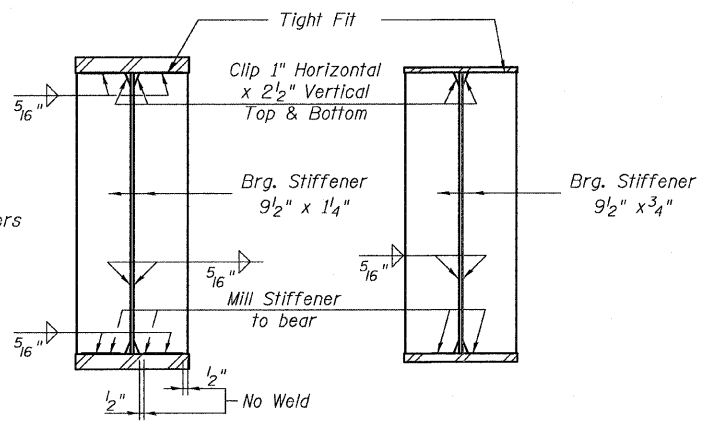
**CAMBER DIAGRAM - GIRDER 6**



**CAMBER DIAGRAM - GIRDER 7**



**DETAIL A**



**SECTION AT PIER**

**SECTION AT ABUTMENT**

**TOP OF WEB ELEVATIONS**  
For Fabrication Only

Girder	℄ Brg. S. Abut.	℄ Field Splice 1	℄ Brg. Pier	℄ Field Splice 2	℄ Brg. N. Abut.
1	631.97	633.44	633.55	633.51	632.46
2	632.18	633.63	633.73	633.68	632.61
3	632.39	633.81	633.91	633.85	632.76
4	632.56	633.95	634.04	633.98	632.86
5	632.72	634.01	634.08	633.99	632.82
6	632.73	633.88	633.94	633.85	632.65
7	632.74	633.71	633.76	633.66	632.45
8	632.73	633.54	633.58	633.47	632.24

Note:  
Load carrying components designated "NTR" shall conform to the Supplemental Requirements for Notch Toughness, Zone 2.  
For Abutment Bearing details, see sheet 16 of 40.

P:\602540(57-294)\STRUCTURAL\kudzic over 157\final structure plans-active\0161196-60J27-024-Girder.dgn 5/3/2011 1:41:01 PM