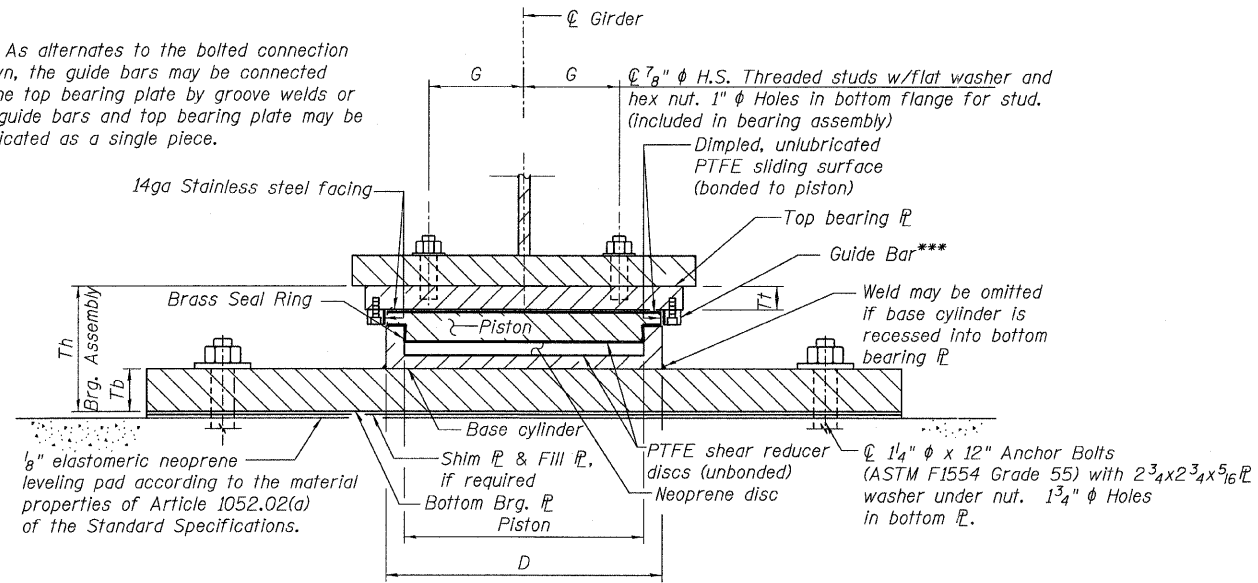


*** As alternates to the bolted connection shown, the guide bars may be connected to the top bearing plate by groove welds or the guide bars and top bearing plate may be fabricated as a single piece.



GUIDED EXPANSION HLMR BEARING

FILL PLATES

Girder	Pier
5	1/2"

NOTES:

1. Cost of top and bottom bearing plates, 1/8" Elastomeric Neoprene and shim plates shall be included with "High Load Multi-Rotational Bearings, Guided Expansion, 600 kips".
2. Anchor bolts shall be ASTM F1554 all-thread (or an Engineer-approved alternative material) of the grade and diameter specified. The corresponding specified grade of AASHTO M314 anchor bolts may be used in lieu of ASTM F1554.
3. Anchor bolts shall be placed in holes drilled in the concrete through holes in the bottom bearing plate after members are in place.
4. The structural steel plates of the Bearing Assembly shall conform to the requirements of AASHTO M 270 Grade 50.
5. Two 1/8 in. adjusting shims shall be provided for each bearing in addition to all other plates or shims and placed as shown on bearing details.
6. H.S. bolts in bearing assembly shall be galvanized according to AASHTO M298 Class 50.

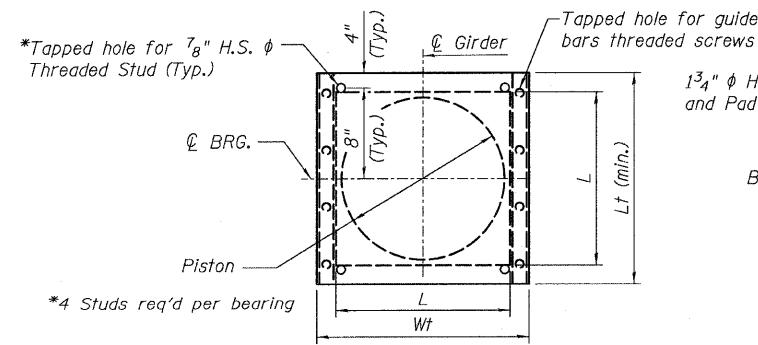
HIGH LOAD MULTIROTATIONAL BEARING

LOCATION	NO. REQ'D	SERVICE VERTICAL DESIGN LOAD **	TOT. REQ'D MOVEMENT (in)	TOP PLATE (in)				BOTTOM PLATE (in)			BRG. ASSEMBLY (in)		
				Wt	Lt	Tt	G	Wb	Lb	Tb	D	L	Th
PIER	8	516K	1.40	24	24	2 3/8	8	30	24	1 3/4	17.875	17.875	9.0625

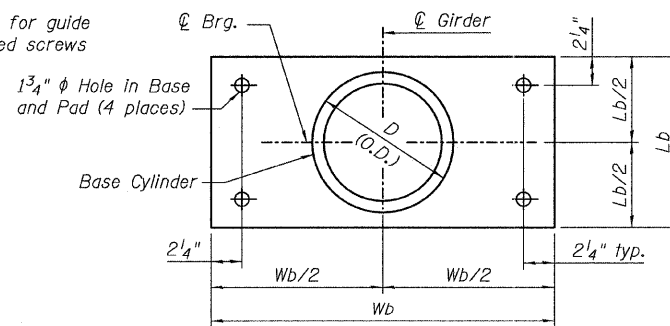
** No Impact

BILL OF MATERIAL

ITEM	UNIT	TOTAL
HLMR Bearings, Guided Expansion, 600K	Each	8
Anchor Bolts, 1 1/4"	Each	32



TOP BEARING P - PISTON PLAN



BOTTOM BEARING P AND BASE CYLINDER PLAN

TYLIN INTERNATIONAL	USER NAME =	DESIGNED - CME	REVISED -	STATE OF ILLINOIS DEPARTMENT OF TRANSPORTATION	BEARING DETAILS STRUCTURE NO. 016-1196	F.A.I. RTE.	SECTION	COUNTY	TOTAL SHEETS	SHEET NO.
	PLOT SCALE =	CHECKED - MDM	REVISED -			57	1313.1B-1	COOK	162	87
	PLOT DATE = 5/5/2011	DRAWN - PMW	REVISED -			CONTRACT NO. 60K14				
		CHECKED - PDF	REVISED -			ILLINOIS FED. AID PROJECT				
SHEET NO. 26 OF 40 SHEETS										