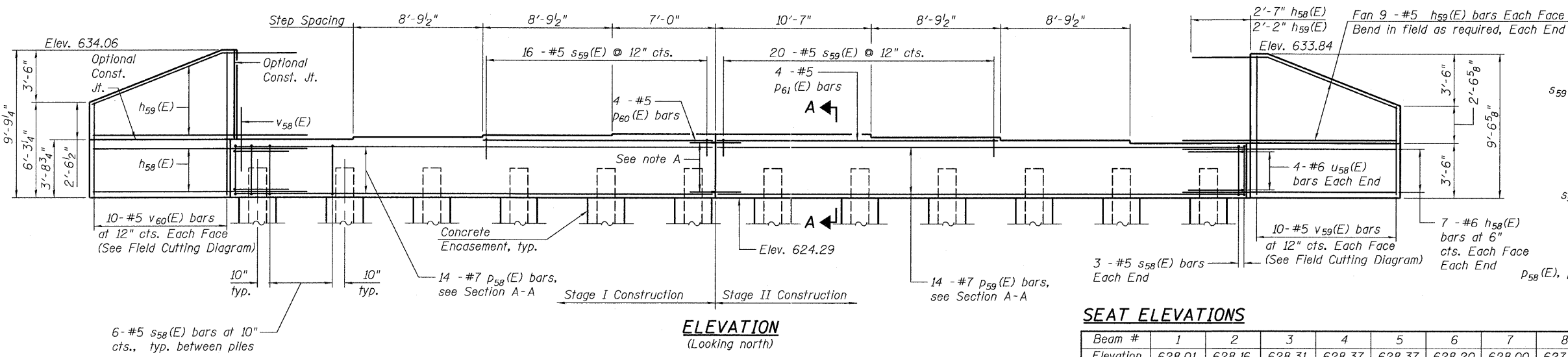


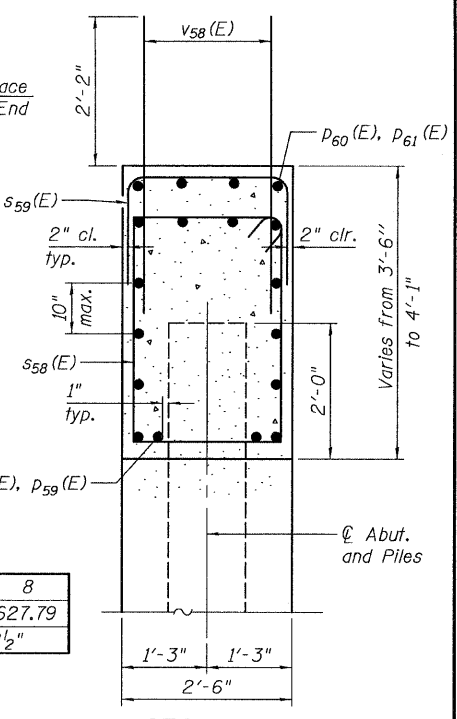
Notes:  
1. Pour steps monolithically with cap.



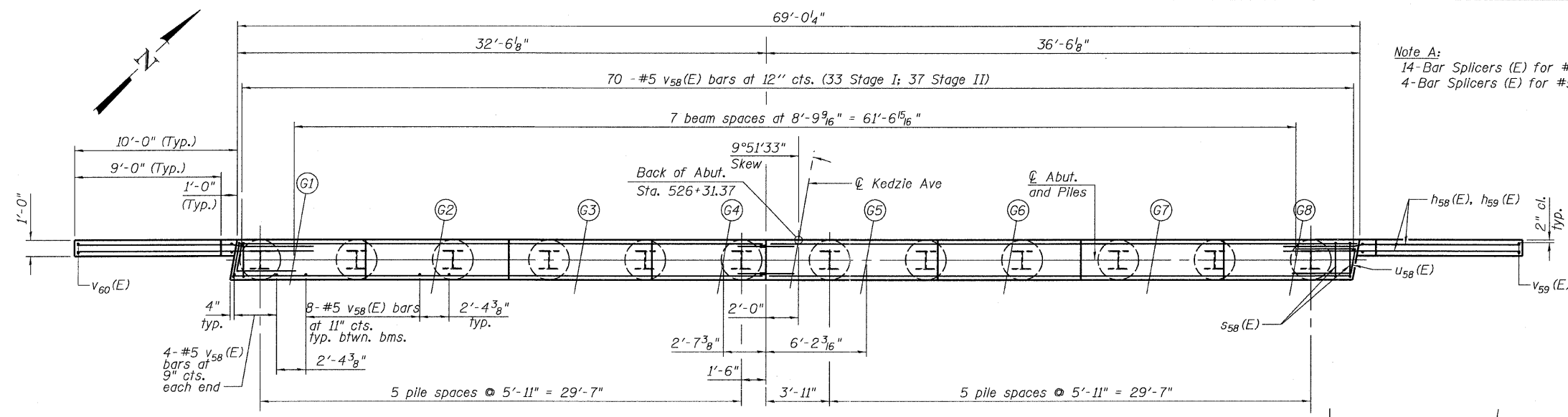
**ELEVATION**  
(Looking north)

**SEAT ELEVATIONS**

Beam #	1	2	3	4	5	6	7	8
Elevation	628.01	628.16	628.31	628.37	628.37	628.20	628.00	627.79
Step HT.	1 7/8"	1 5/8"	3/4"	0"	2"	2 3/8"	2 1/2"	



**SEC. A-A**



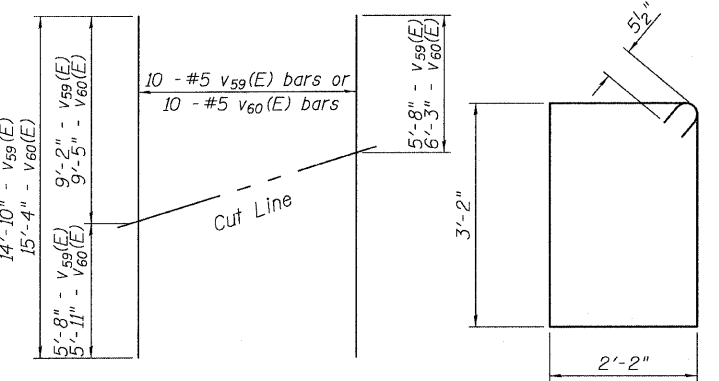
**PLAN**

Note A:  
14-Bar Splicers (E) for #7 p58(E) bars  
4-Bar Splicers (E) for #5 p60(E) bars

**BILL OF MATERIAL**

Bar	No.	Size	Length	Shape
h58(E)	28	#6	12'-6"	
h59(E)	36	#5	12'-6"	
p58(E)	14	#7	32'-3"	
p59(E)	14	#7	35'-10"	
p60(E)	4	#5	15'-6"	
p61(E)	4	#5	19'-0"	
s58(E)	72	#5	11'-7"	
s59(E)	36	#5	6'-2"	
u58(E)	8	#6	9'-11"	
v58(E)	134	#5	4'-4"	
v59(E)	10	#5	14'-10"	
v60(E)	10	#5	15'-4"	
Structure Excavation	Cu. Yd.		253	
Concrete Structures	Cu. Yd.		30.8	
Reinforcement Bars, Epoxy Coated	Pound		5,230	
Furnishing Steel Piles HP 14x73	Foot		588	
Driving Piles	Foot		588	
Test Pile Steel HP14x73	Each		1	
Pile Shoes	Each		12	
Concrete Encasement	Cu. Yd.		6.6	
Bar Splicers	Each		18	

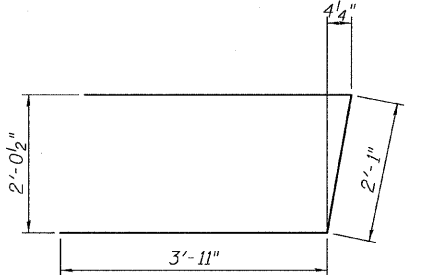
For details of Bar Splicers, see sheet 31 of 40.  
For details of piles and Concrete Encasement, see sheet 32 of 40.



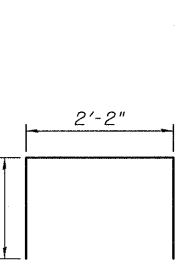
**FIELD CUTTING DIAGRAM**

Order v59(E) & v60(E) full length. Cut as shown and use remainder of bars in opposite face.

**BARS s58(E)**



**BAR u58(E)**



**BAR s59(E)**

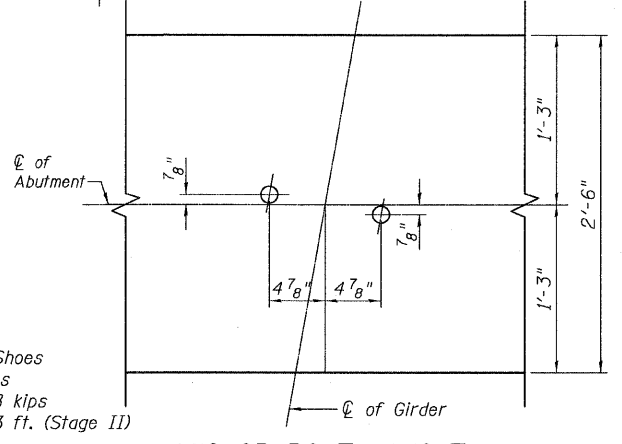
**MIN. BAR LAPS**

Bar	Lap
#4	2'-7"
#5	3'-3"
#6	3'-10"
#7	5'-2"

**PILE DATA**

Type: Steel HP 14x73 with Pile Shoes  
Nominal Required Bearing: 578 kips  
Factored Resistance Available: 318 kips  
Est. Length: 54 ft. (Stage I); 53 ft. (Stage II)  
No. Production Piles: 11  
No. Test Piles: 1

Est. Top of Rock Elev. Stage I = 572.00  
Est. Top of Rock Elev. Stage II = 573.00



**ANCHOR BOLT LAYOUT**

<b>TYLIN INTERNATIONAL</b>	USER NAME =	DESIGNED - CME	REVISED -
	PLOT SCALE =	CHECKED - MDM	REVISED -
	PLOT DATE = 5/5/2011	DRAWN - LCP	REVISED -
		CHECKED - MDM	REVISED -

**STATE OF ILLINOIS**  
**DEPARTMENT OF TRANSPORTATION**

**NORTH ABUTMENT**  
**STRUCTURE NO. 016-1196**  
SHEET NO. 27 OF 40 SHEETS

F.A.I. RTE.	SECTION	COUNTY	TOTAL SHEETS	SHEET NO.
57	1313.1B-1	COOK	162	88

CONTRACT NO. 60K14  
ILLINOIS FED. AID PROJECT

P:\602540(57-294)\STRUCTURAL\kedzie over 157\final structure plans-active\0161196-57294-027-N.Abut.dgn 14:1:05 PM 5/3/2011