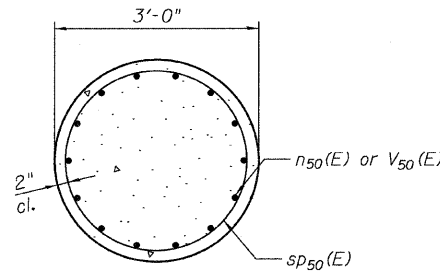
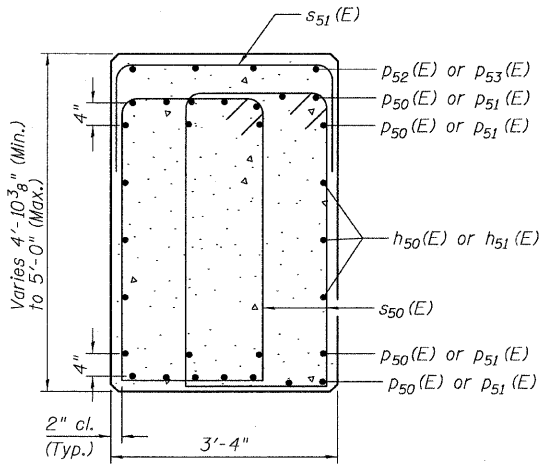
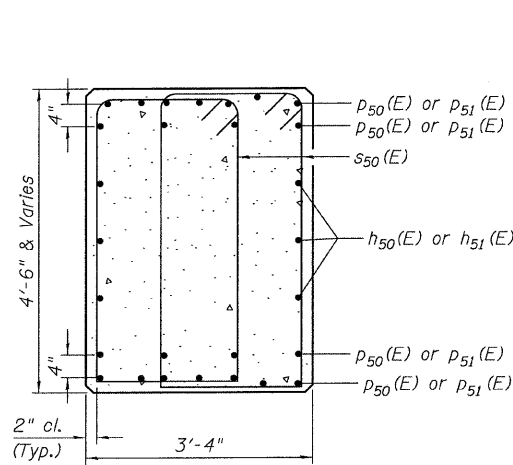


BILL OF MATERIAL

Bar	No.	Size	Length	Shape
h50(E)	24	#6	33'-10"	—
h51(E)	24	#6	30'-2"	—
h52(E)	6	#8	33'-10"	—
h53(E)	6	#8	30'-2"	—
n50(E)	84	#9	15'-6"	—
n51(E)	6	#7	8'-3"	—
p50(E)	22	#9	33'-10"	—
p51(E)	22	#9	30'-2"	—
p52(E)	4	#5	19'-2"	—
p53(E)	4	#5	15'-6"	—
s50(E)	262	#5	13'-3"	□
s51(E)	36	#4	6'-0"	□
s52(E)	130	#7	21'-4"	□
s53(E)	130	#7	13'-4"	□
**sD50(E)	6	#5	8'-9"	⌘
t50(E)	89	#8	12'-4"	□
u50(E)	34	#6	12'-5"	—
v50(E)	84	#9	12'-4"	—
v51(E)	6	#7	6'-11"	—
w50(E)	12	#8	37'-10"	—
w51(E)	12	#8	33'-1"	—
Concrete Structures		Cu. Yd.	177.4	
Reinforcement Bars, Epoxy Coated		Pound	36,500	
Furnishing Steel		Foot	1295	
Piles HP 14x73		Foot	1295	
Driving Piles		Foot	1295	
Test Pile Steel HP 14x73		Each	1	
Pile Shoes		Each	38	
Concrete Sealer		Sq. Ft.	2170	
Bar Splicers		Each	64	
Braced Excavation		Cu Yd	351	

** Length is height of spiral.



MINIMUM BAR LAPS

Bar	LAP
#4	2'-7"
#5	3'-3"
#6	3'-10"
#7	5'-2"
#8	6'-9"
#9	8'-7"

TYLIN INTERNATIONAL
 USER NAME =
 PLOT SCALE =
 PLOT DATE = 5/5/2011

DESIGNED - MDM
 CHECKED - CME
 DRAWN - SMM
 CHECKED - MDM
 REVISED -
 REVISED -
 REVISED -
 REVISED -

STATE OF ILLINOIS
 DEPARTMENT OF TRANSPORTATION

PIER DETAILS
 STRUCTURE NO. 016-1196
 SHEET NO. 30 OF 40 SHEETS

F.A.I. RTE.	SECTION	COUNTY	TOTAL SHEETS	SHEET NO.
57	1313.1B-1	COOK	162	91

CONTRACT NO. 60K14
 ILLINOIS FED. AID PROJECT