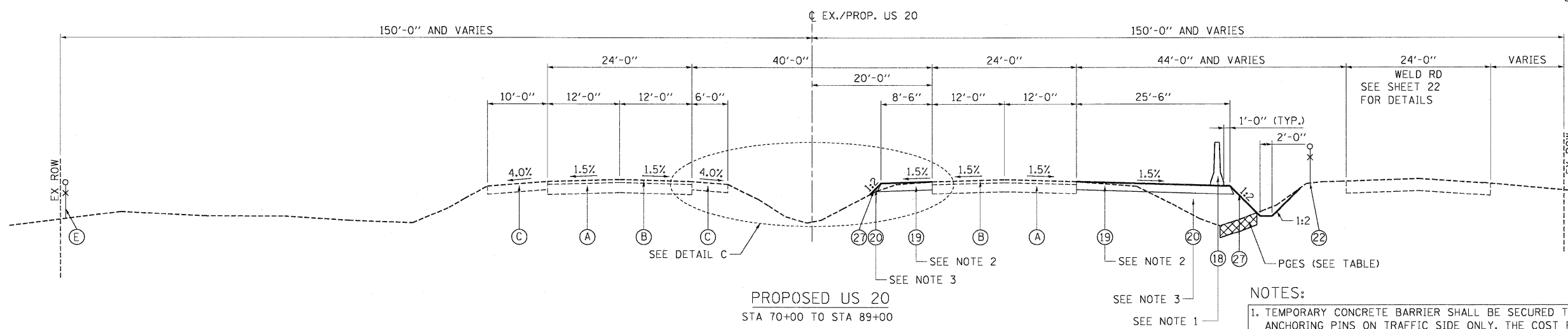


US 20 PGES LIMITS

FROM STA	TO STA	WIDTH	THICKNESS
84+00	87+00	EXIST TOE TO PROPOSED TOE	12"



- NOTES:
- TEMPORARY CONCRETE BARRIER SHALL BE SECURED TO THE PAVEMENT USING THREE ANCHORING PINS ON TRAFFIC SIDE ONLY. THE COST FOR THIS WORK SHALL BE INCLUDED IN THE CONTRACT UNIT PRICE FOR "TEMPORARY CONCRETE BARRIER (INSTALL ONLY)".
  - SEE SHEET 24 AND TEMPORARY PAVEMENT SPECIAL PROVISION FOR PAVEMENT DESIGN.
  - EMBANKMENT AT THE LOCATIONS INDICATED SHALL BE CONSTRUCTED ACCORDING TO THE "EMBANKMENT I" AND "EMBANKMENT STABILITY" SPECIAL PROVISIONS. THE COST FOR THIS WORK SHALL BE INCLUDED IN THE CONTRACT UNIT PRICE FOR "EARTH EXCAVATION" OR "FURNISHED EXCAVATION" AS APPLICABLE.

**EXISTING LEGEND**

REMOVAL

A PCC PAVEMENT (10" AND VARIES)

B HMA SURFACE (3" AND VARIES)

C HMA SHOULDER (8" AND VARIES)

D HMA SHOULDER (6" AND VARIES)

E FENCE

F CONCRETE BARRIER

G PORTLAND CEMENT CONCRETE SHOULDER (10" & VAR.)

H REMOVAL AND DISPOSAL OF UNSUITABLE MATERIAL

I HOT-MIX ASPHALT BASE COURSE

J EXIST PAVEMENT

K PCC SIDE WALK

L CURB AND GUTTER

M CONCRETE MEDIAN

N STEEL PLATE BEAM GUARDRAIL

O NOT USED

**PROPOSED LEGEND**

PGES

1 PCC PVT 10 JOINTED

2 AGGREGATE SUBGRADE 12"

3 HMA PAVT FD 9 3/4"

4 PARTIAL DEPTH PATCHING (SPECIAL)

5 AGGREGATE SHOULDERS, TYPE B 4"

6 TEMPORARY SOIL RETENTION SYSTEM

7 BITUMINOUS MATERIALS (PRIME COAT)

8 COMB CC&G TB6.12

9 COMB CC&G TB6.24

10 CONC CURB TB SPL

11 PC CONC SIDEWALK 5"

12 HOT-MIX ASPHALT SURFACE COURSE, MIX "D", N70, 2"

13 SUBBASE GRANULAR MATERIAL, TYPE B (10")

14 COMPOST FURNISH AND PLACE, 2" & TOPSOIL FURNISH AND PLACE, 4"

15 TOPSOIL FURNISH AND PLACE, 6"

16 LONGITUDINAL CONSTRUCTION JOINT

17 LONGITUDINAL SAWED JOINT

18 TEMP CONC BARRIER (INSTALL ONLY)

19 TEMP PAVEMENT (INTERSTATE)

20 EMBANKMENT

21 RETAINING WALL (SEE STRUCTURAL PLANS)

22 FENCE (SEE PLANS FOR TYPE)

23 SLOTTED DRAIN 12" WITH 6" SLOT

24 TEMPORARY PAVEMENT

25 HOT-MIX ASPHALT SURFACE COURSE, MIX "D", N70

26 STABILIZED SUBBASE (HMA) 4 1/2"

27 SEEDING, CLASS 7

28 SODDING, SALT TOLERANT

29 SEEDING, CLASS 4

30 CONC CURB TB

31 AGG WEDGE SHLD TYPE B (TONS)

32 HMA SC "C" N50 (IL 9.5mm)

STATE OF ILLINOIS  
DEPARTMENT OF TRANSPORTATION  
FAP ROUTE 345 / US ROUTE 20

**PROPOSED TYPICAL SECTIONS**

**U.S. ROUTE 20**

SCALE: 1"=10'

SHEET NO. OF SHEETS

STA. 54+00.00 TO STA. 89+00.00

F.A.P. RTE.	SECTION	COUNTY	TOTAL SHEETS	SHEET NO.
345	BR-HB-2-BY-1	KANE	434	17

CONTRACT NO. 60K90

FED. ROAD DIST. NO. ILLINOIS FED. AID PROJECT

FILE NAME = USER NAME = #USER#  
DESIGNED - BRH  
DRAWN - BRH  
CHECKED - DDH  
DATE - 05/18/11

REVISIONS:

REVISION NO. DATE REVISION

REVISION 1 DATE 05/18/11 REVISION