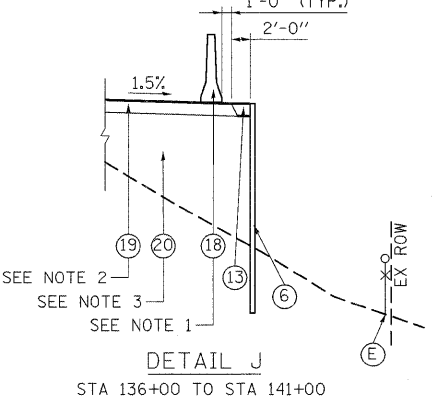
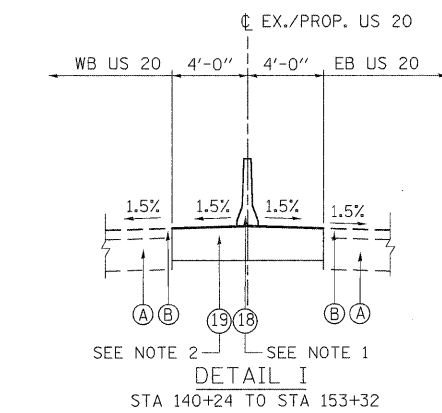
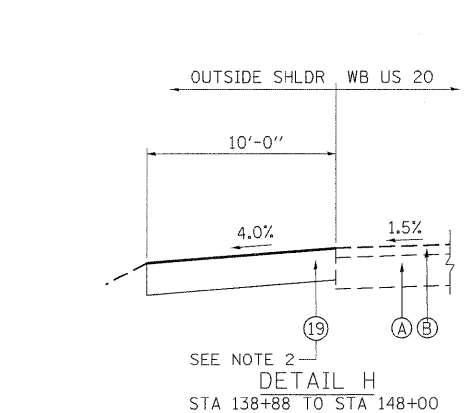
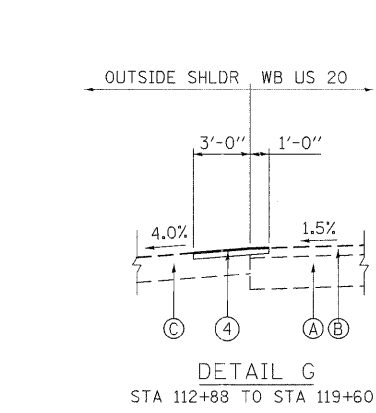
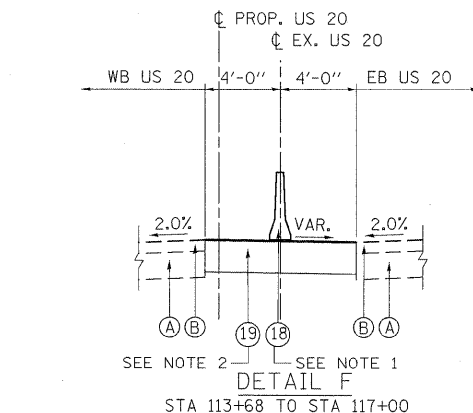
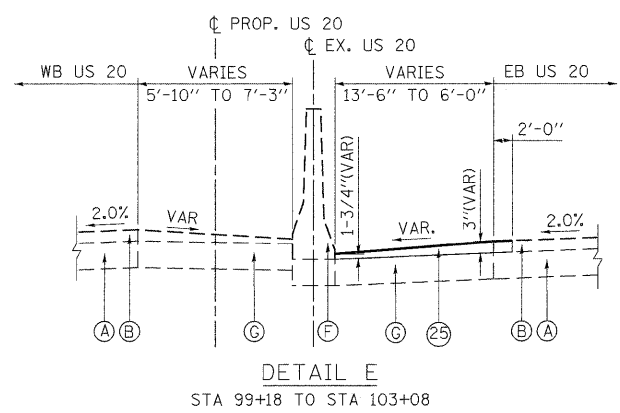
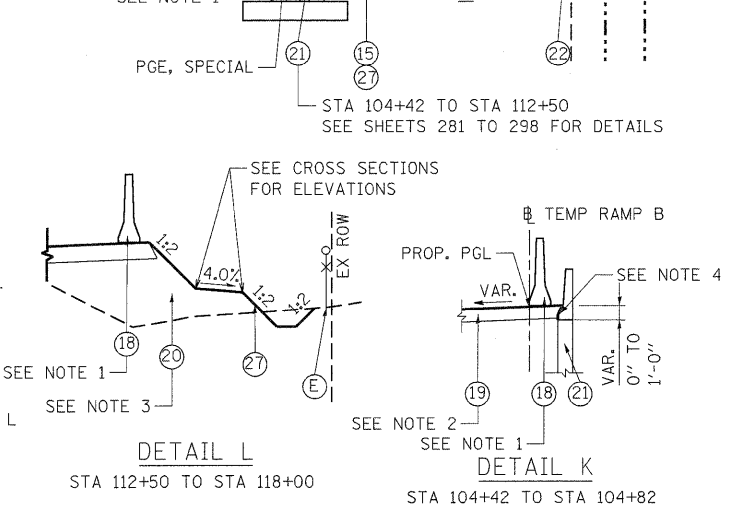
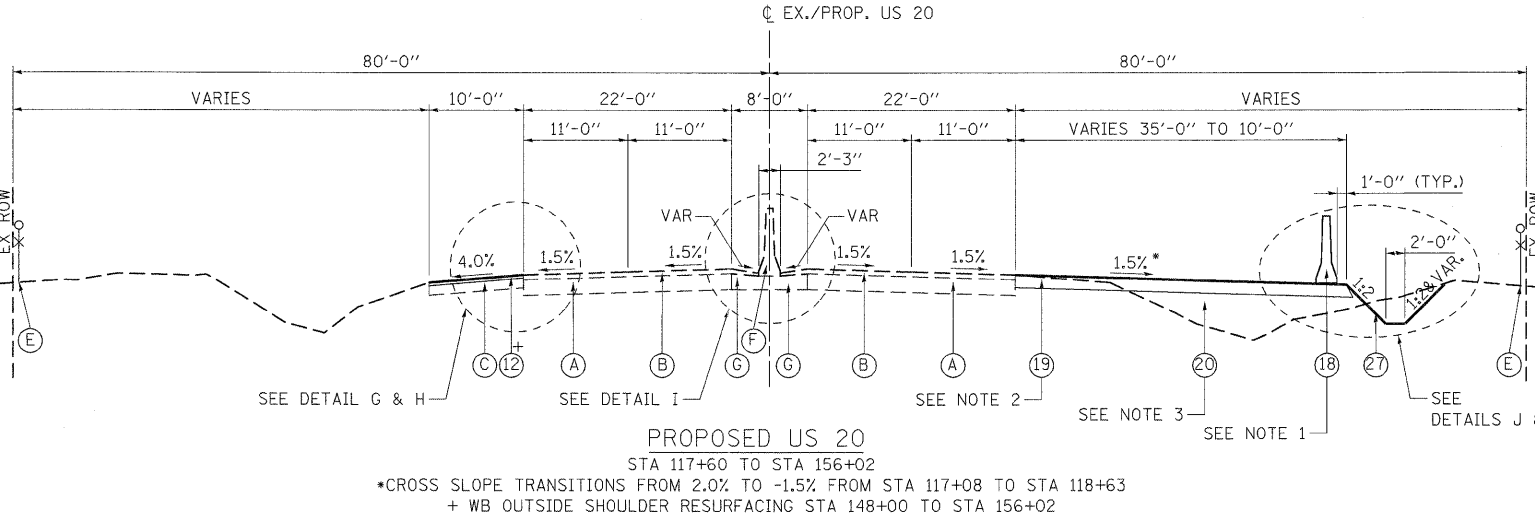


- NOTES:**
- TEMPORARY CONCRETE BARRIER SHALL BE SECURED TO THE PAVEMENT USING THREE ANCHORING PINS ON TRAFFIC SIDE ONLY. THE COST FOR THIS WORK SHALL BE INCLUDED IN THE CONTRACT UNIT PRICE FOR "TEMPORARY CONCRETE BARRIER (INSTALL ONLY)".
  - SEE SHEET 24 AND TEMPORARY PAVEMENT SPECIAL PROVISION FOR PAVEMENT DESIGN.
  - EMBANKMENT AT THE LOCATIONS INDICATED SHALL BE CONSTRUCTED ACCORDING TO THE "EMBANKMENT I" AND "EMBANKMENT STABILITY" SPECIAL PROVISIONS. THE COST FOR THIS WORK SHALL BE INCLUDED IN THE CONTRACT UNIT PRICE FOR "EARTH EXCAVATION" OR "FURNISHED EXCAVATION" AS APPLICABLE.
  - THE CONTRACTOR SHALL FURNISH AND INSTALL A PHYSICAL BOND BREAKER BETWEEN THE RAMP B TEMPORARY PAVEMENT AND THE PARAPET. THIS WORK WILL NOT BE PAID FOR SEPARATELY BUT SHALL BE INCLUDED IN THE CONTRACT UNIT PRICE FOR "TEMPORARY PAVEMENT (INTERSTATE)".



EXISTING LEGEND		REMOVAL		PROPOSED LEGEND		PGE'S		EXISTING LEGEND		REMOVAL																																		
(A) PCC PAVEMENT (10" AND VARIES)	(B) HMA SURFACE (3" AND VARIES)	(C) HMA SHOULDER (8" AND VARIES)	(D) HMA SHOULDER (6" AND VARIES)	(E) FENCE	(F) CONCRETE BARRIER	(G) PORTLAND CEMENT CONCRETE SHOULDER (10" & VAR.)	(H) REMOVAL AND DISPOSAL OF UNSUITABLE MATERIAL	(I) HOT-MIX ASPHALT BASE COURSE	(J) EXIST PAVEMENT	(K) PCC SIDE WALK	(L) CURB AND GUTTER	(M) CONCRETE MEDIAN	(N) STEEL PLATE BEAM GUARDRAIL	(O) NOT USED	(P) PCC PAVEMENT (11" AND VARIES)	(Q) HMA SURFACE (4" AND VARIES)	(R) HMA SURFACE (5" AND VARIES)	(S) HMA SURFACE (6" AND VARIES)	(T) COMB CC&G TB6.12	(U) COMB CC&G TB6.24	(V) CONC CURB TB SPL	(W) PC CONC SIDEWALK 5"	(X) HOT-MIX ASPHALT SURFACE COURSE, MIX "D", N70, 2"	(Y) SUBBASE GRANULAR MATERIAL, TYPE B (10")	(Z) COMPOST FURNISH AND PLACE, 2" & TOPSOIL	(AA) FURNISH AND PLACE, 4"	(AB) BITUMINOUS MATERIALS (PRIME COAT)	(AC) LONGITUDINAL CONSTRUCTION JOINT	(AD) LONGITUDINAL SAWED JOINT	(AE) TEMP CONC BARRIER (INSTALL ONLY)	(AF) TEMP PAVEMENT (INTERSTATE)	(AG) EMBANKMENT	(AH) RETAINING WALL (SEE STRUCTURAL PLANS)	(AI) FENCE (SEE PLANS FOR TYPE)	(AJ) SLOTTED DRAIN 12" WITH 6" SLOT	(AK) TEMPORARY PAVEMENT	(AL) HOT-MIX ASPHALT SURFACE COURSE, MIX "D", N70	(AM) STABILIZED SUBBASE (HMA) 4 1/2"	(AN) SEEDING, CLASS 7	(AO) SODDING, SALT TOLERANT	(AP) SEEDING, CLASS 4	(AQ) CONC CURB TB	(AR) AGG WEDGE SHLD TYPE B (TONS)	(AS) HMA SC "C" N50 (IL 9.5mm)

FILE NAME =	USER NAME = #USER#	DESIGNED - BRH	REVISED -	<b>STATE OF ILLINOIS</b> <b>DEPARTMENT OF TRANSPORTATION</b> FAP ROUTE 345 / US ROUTE 20				<b>PROPOSED TYPICAL SECTIONS</b> <b>U.S. ROUTE 20</b>				F.A.P. RTE. 345	SECTION 8R-HB-2-BY-1	COUNTY KANE	TOTAL SHEETS 434	SHEET NO. 19
#FILE#	PLOT SCALE = #SCALE#	CHECKED - DDH	REVISED -					SCALE: 1"=10'	SHEET NO. OF SHEETS	STA. 104+42.00 TO STA. 156+02.00	FED. ROAD DIST. NO. [ILLINOIS] FED. AID PROJECT	CONTRACT NO. 60K90				

.\D:\60K90\90-00\FOLDER\LEGEND.DWG, .\D:\60K90\90-SHT-TYPICAL\04.DWG, .\D:\60K90\90-SHT-TYPICAL\05.DWG, .\D:\60K90\90-SHT-TYPICAL\06.DWG, .\D:\60K90\90-SHT-TYPICAL\07.DWG, .\D:\60K90\90-SHT-TYPICAL\08.DWG, .\D:\60K90\90-SHT-TYPICAL\09.DWG, .\D:\60K90\90-SHT-TYPICAL\10.DWG, .\D:\60K90\90-SHT-TYPICAL\11.DWG, .\D:\60K90\90-SHT-TYPICAL\12.DWG, .\D:\60K90\90-SHT-TYPICAL\13.DWG, .\D:\60K90\90-SHT-TYPICAL\14.DWG, .\D:\60K90\90-SHT-TYPICAL\15.DWG, .\D:\60K90\90-SHT-TYPICAL\16.DWG, .\D:\60K90\90-SHT-TYPICAL\17.DWG, .\D:\60K90\90-SHT-TYPICAL\18.DWG, .\D:\60K90\90-SHT-TYPICAL\19.DWG, .\D:\60K90\90-SHT-TYPICAL\20.DWG, .\D:\60K90\90-SHT-TYPICAL\21.DWG, .\D:\60K90\90-SHT-TYPICAL\22.DWG, .\D:\60K90\90-SHT-TYPICAL\23.DWG, .\D:\60K90\90-SHT-TYPICAL\24.DWG, .\D:\60K90\90-SHT-TYPICAL\25.DWG, .\D:\60K90\90-SHT-TYPICAL\26.DWG, .\D:\60K90\90-SHT-TYPICAL\27.DWG, .\D:\60K90\90-SHT-TYPICAL\28.DWG, .\D:\60K90\90-SHT-TYPICAL\29.DWG, .\D:\60K90\90-SHT-TYPICAL\30.DWG, .\D:\60K90\90-SHT-TYPICAL\31.DWG, .\D:\60K90\90-SHT-TYPICAL\32.DWG, .\D:\60K90\90-SHT-TYPICAL\33.DWG, .\D:\60K90\90-SHT-TYPICAL\34.DWG, .\D:\60K90\90-SHT-TYPICAL\35.DWG, .\D:\60K90\90-SHT-TYPICAL\36.DWG, .\D:\60K90\90-SHT-TYPICAL\37.DWG, .\D:\60K90\90-SHT-TYPICAL\38.DWG, .\D:\60K90\90-SHT-TYPICAL\39.DWG, .\D:\60K90\90-SHT-TYPICAL\40.DWG, .\D:\60K90\90-SHT-TYPICAL\41.DWG, .\D:\60K90\90-SHT-TYPICAL\42.DWG, .\D:\60K90\90-SHT-TYPICAL\43.DWG, .\D:\60K90\90-SHT-TYPICAL\44.DWG, .\D:\60K90\90-SHT-TYPICAL\45.DWG, .\D:\60K90\90-SHT-TYPICAL\46.DWG, .\D:\60K90\90-SHT-TYPICAL\47.DWG, .\D:\60K90\90-SHT-TYPICAL\48.DWG, .\D:\60K90\90-SHT-TYPICAL\49.DWG, .\D:\60K90\90-SHT-TYPICAL\50.DWG, .\D:\60K90\90-SHT-TYPICAL\51.DWG, .\D:\60K90\90-SHT-TYPICAL\52.DWG, .\D:\60K90\90-SHT-TYPICAL\53.DWG, .\D:\60K90\90-SHT-TYPICAL\54.DWG, .\D:\60K90\90-SHT-TYPICAL\55.DWG, .\D:\60K90\90-SHT-TYPICAL\56.DWG, .\D:\60K90\90-SHT-TYPICAL\57.DWG, .\D:\60K90\90-SHT-TYPICAL\58.DWG, .\D:\60K90\90-SHT-TYPICAL\59.DWG, .\D:\60K90\90-SHT-TYPICAL\60.DWG, .\D:\60K90\90-SHT-TYPICAL\61.DWG, .\D:\60K90\90-SHT-TYPICAL\62.DWG, .\D:\60K90\90-SHT-TYPICAL\63.DWG, .\D:\60K90\90-SHT-TYPICAL\64.DWG, .\D:\60K90\90-SHT-TYPICAL\65.DWG, .\D:\60K90\90-SHT-TYPICAL\66.DWG, .\D:\60K90\90-SHT-TYPICAL\67.DWG, .\D:\60K90\90-SHT-TYPICAL\68.DWG, .\D:\60K90\90-SHT-TYPICAL\69.DWG, .\D:\60K90\90-SHT-TYPICAL\70.DWG, .\D:\60K90\90-SHT-TYPICAL\71.DWG, .\D:\60K90\90-SHT-TYPICAL\72.DWG, .\D:\60K90\90-SHT-TYPICAL\73.DWG, .\D:\60K90\90-SHT-TYPICAL\74.DWG, .\D:\60K90\90-SHT-TYPICAL\75.DWG, .\D:\60K90\90-SHT-TYPICAL\76.DWG, .\D:\60K90\90-SHT-TYPICAL\77.DWG, .\D:\60K90\90-SHT-TYPICAL\78.DWG, .\D:\60K90\90-SHT-TYPICAL\79.DWG, .\D:\60K90\90-SHT-TYPICAL\80.DWG, .\D:\60K90\90-SHT-TYPICAL\81.DWG, .\D:\60K90\90-SHT-TYPICAL\82.DWG, .\D:\60K90\90-SHT-TYPICAL\83.DWG, .\D:\60K90\90-SHT-TYPICAL\84.DWG, .\D:\60K90\90-SHT-TYPICAL\85.DWG, .\D:\60K90\90-SHT-TYPICAL\86.DWG, .\D:\60K90\90-SHT-TYPICAL\87.DWG, .\D:\60K90\90-SHT-TYPICAL\88.DWG, .\D:\60K90\90-SHT-TYPICAL\89.DWG, .\D:\60K90\90-SHT-TYPICAL\90.DWG, .\D:\60K90\90-SHT-TYPICAL\91.DWG, .\D:\60K90\90-SHT-TYPICAL\92.DWG, .\D:\60K90\90-SHT-TYPICAL\93.DWG, .\D:\60K90\90-SHT-TYPICAL\94.DWG, .\D:\60K90\90-SHT-TYPICAL\95.DWG, .\D:\60K90\90-SHT-TYPICAL\96.DWG, .\D:\60K90\90-SHT-TYPICAL\97.DWG, .\D:\60K90\90-SHT-TYPICAL\98.DWG, .\D:\60K90\90-SHT-TYPICAL\99.DWG, .\D:\60K90\90-SHT-TYPICAL\100.DWG