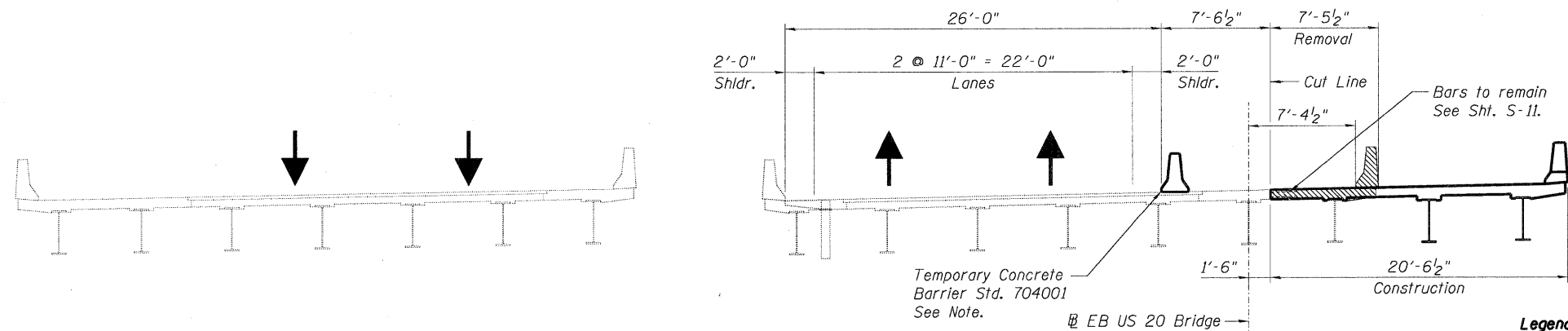


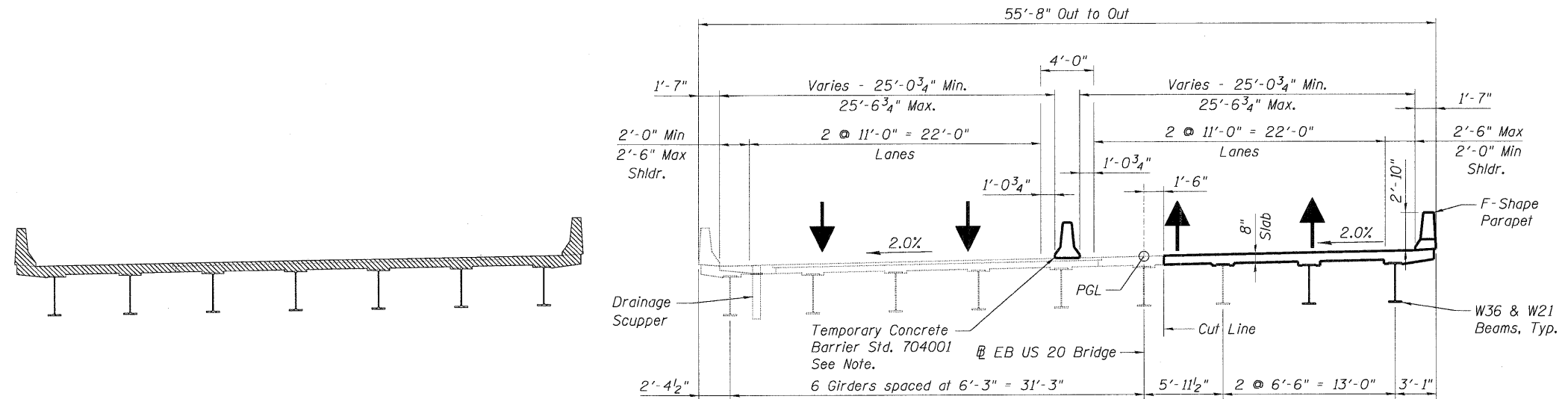
EXISTING EB US 20
(LOOKING EAST)



STAGE I REMOVAL AND CONSTRUCTION
(LOOKING EAST)

Legend:

▨ Concrete Removal



PROPOSED CROSS SECTION

(LOOKING EAST - STAGE I OF CONTRACT 60H45)

Note:

See Roadway Plans for quantity of temporary concrete barrier.

\\p0450003-60K90-001-STCONSTR.DGN ..\\ALLSNUM-60K90-001-BORDER.DGN
 5-13-2011 15:27:21 HAYMARZ \\P5-0044\AMVAULT.D-TRANS.07\2202\21379-000\3 TRUCT\COA\B&K\90-0450003-SHEET\0450003-60K90-001-STCONSTR_SHT.DGN

FILE NAME =	USER NAME = #USER#	DESIGNED - PK	REVISED -
#FILE#		DRAWN - PK	REVISED -
TENG	TENG & ASSOCIATES, INC.	CHECKED - MDB	REVISED -
ENGINEERS/ARCHITECTS/PLANNERS	CHICAGO, ILLINOIS	DATE - 05/18/11	REVISED -

PLOT SCALE = #SCALE#	DATE - 05/18/11
PLOT DATE = #DATE#	REVISED -

STATE OF ILLINOIS
DEPARTMENT OF TRANSPORTATION
 US 20 OVER MCLEAN BOULEVARD

CONSTRUCTION STAGING

SCALE: SHEET NO. S-3 OF S-29 STA. 98+32.18

F.A.P. RTE.	SECTION	COUNTY	TOTAL SHEETS	SHEET NO.
345	8R-HB-2-BY-1	KANE	434	244
SN 045-0003			CONTRACT NO. 60K90	
FED. ROAD DIST. NO. 7 ILLINOIS FED. AID PROJECT				