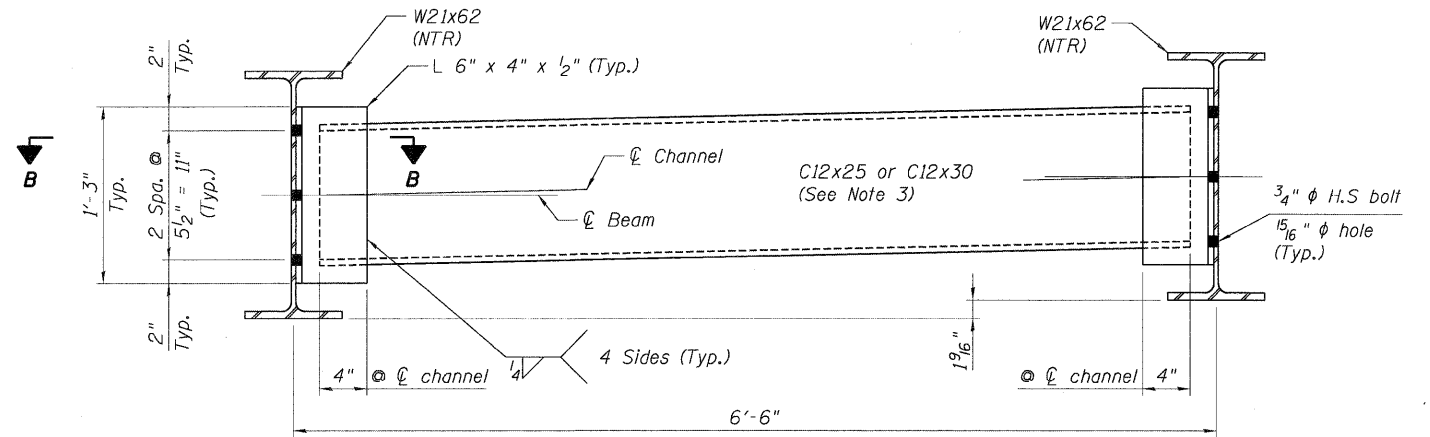
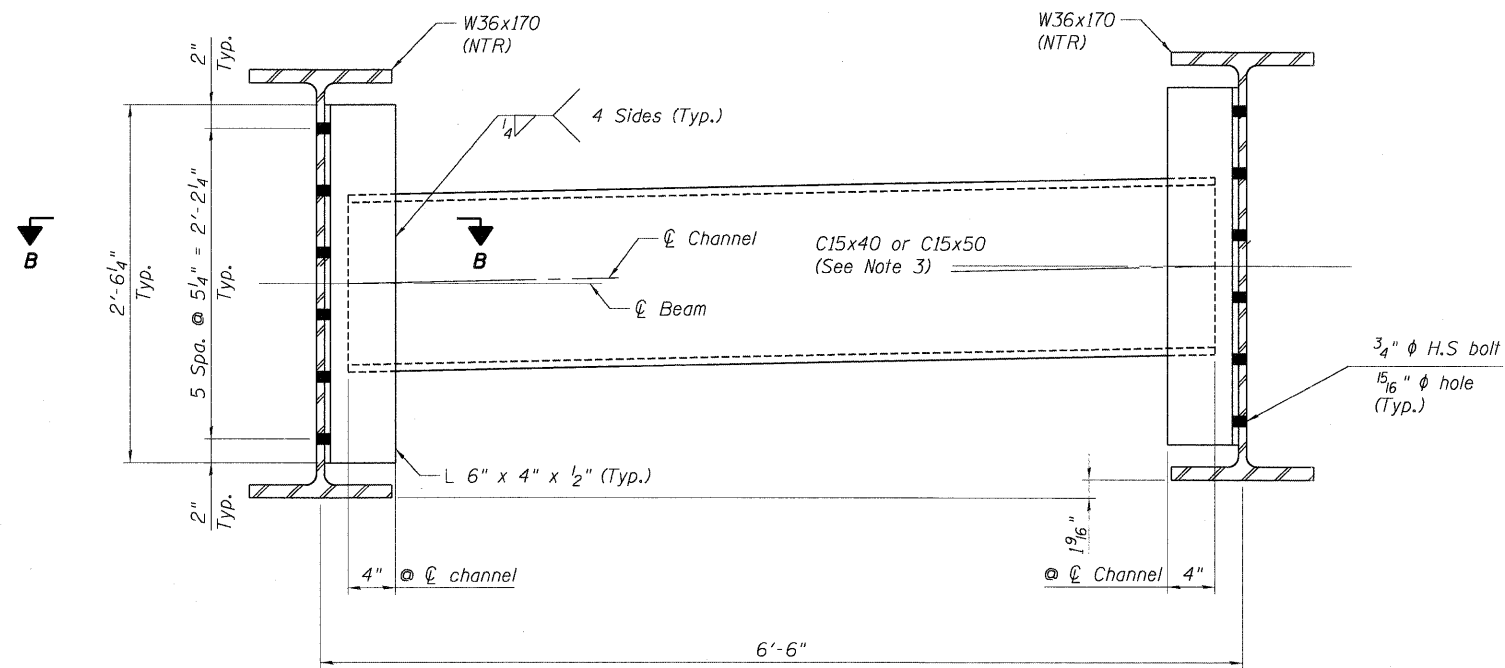


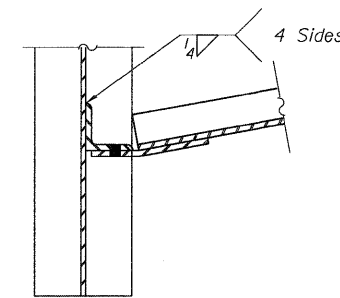
Diaphragms D1 & D4



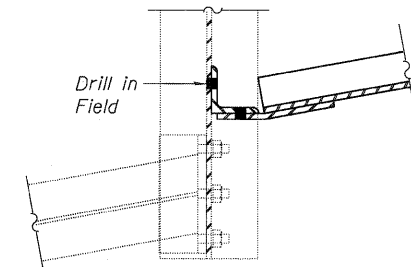
Diaphragms D2 & D5



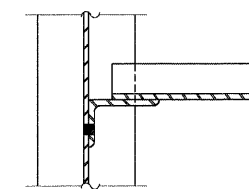
Diaphragms D3 & D6



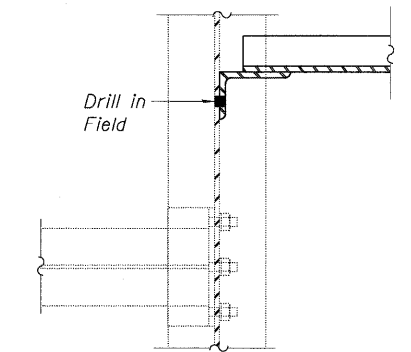
SECTION A-A
(at proposed beams)



SECTION A'-A'
(at existing beams)



SECTION B-B
(at proposed beams)



SECTION B'-B'
(at existing beams)

Notes:

1. Work this Sheet with Sht. S-15.
2. Two hardened washers required for each set of oversized holes.
3. Alternate channels are permitted to facilitate material acquisition. Calculated weight of structural steel is based on the lighter section. The alternate, if utilized, shall be provided at no additional cost to the Department.
4. All cross frames or diaphragms shall be installed as steel is erected and secured with erection pins and bolts except as otherwise noted. Individual cross frames or diaphragms at supports may be temporarily disconnected to install bearing anchor rods.
5. Field drill holes in existing Girder 7. Contractor shall field verify location of existing diaphragms and their connections to Girder 7, and coordinate proposed diaphragm locations to avoid any conflicts. The field-verified dimensions showing offset of the proposed diaphragms from the existing diaphragms must be shown in the shop drawings. The cost of field verification, shop drawing details and field drilling shall be included in Furnishing and Erecting Structural Steel.

FILE NAME = \\F:\044\AM\VAL\JD_TRAN\9712202\213791-001\STRUCT\CAD\60K90\0450003\SHEET\0450003-60K90-001-STEELDETAIL_SHT.DGN
 FILE# 5-13-2011 15:27:54
 TENG & ASSOCIATES, INC.
 ENGINEERS/ARCHITECTS/PLANNERS
 CHICAGO, ILLINOIS

FILE NAME =	USER NAME = #USER#	DESIGNED - PK	REVISED -
FILE#		DRAWN - PK	REVISED -
	PLOT SCALE = #SCALE#	CHECKED - MDB	REVISED -
	PLOT DATE = #DATE#	DATE - 05/18/11	REVISED -

STATE OF ILLINOIS
DEPARTMENT OF TRANSPORTATION
 US 20 OVER MCLEAN BOULEVARD

STEEL DETAILS

SCALE: SHEET NO. S-17 OF S-29 STA. 98+32.18

F.A.P. RTE.	SECTION	COUNTY	TOTAL SHEETS	SHEET NO.
345	BR-HB-2-BY-1	KANE	434	258
SN 045-0003		CONTRACT NO. 60K90		
FED. ROAD DIST. NO. 7 ILLINOIS FED. AID PROJECT				