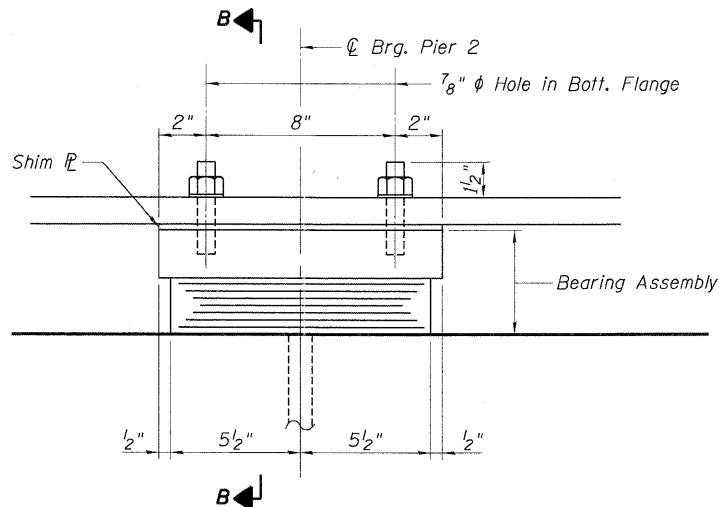
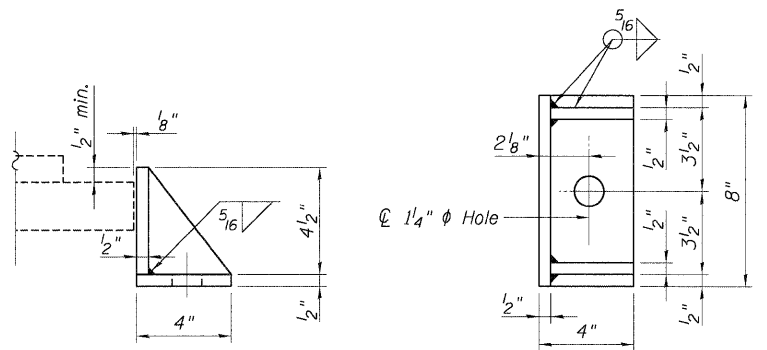


ELEVATION AT W. ABUT.
(Looking North)

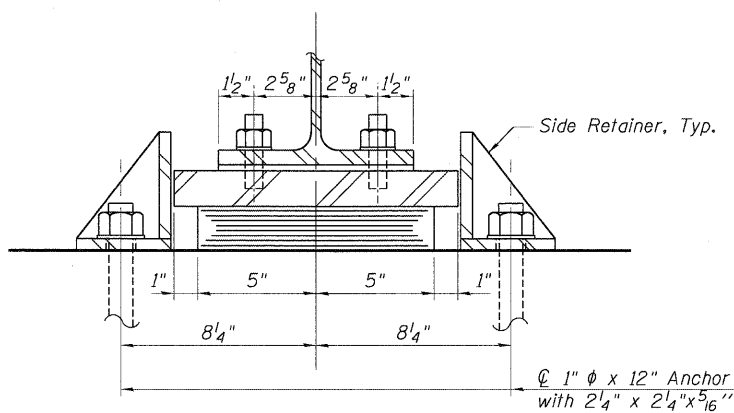


ELEVATION AT PIER 2
(Looking North)

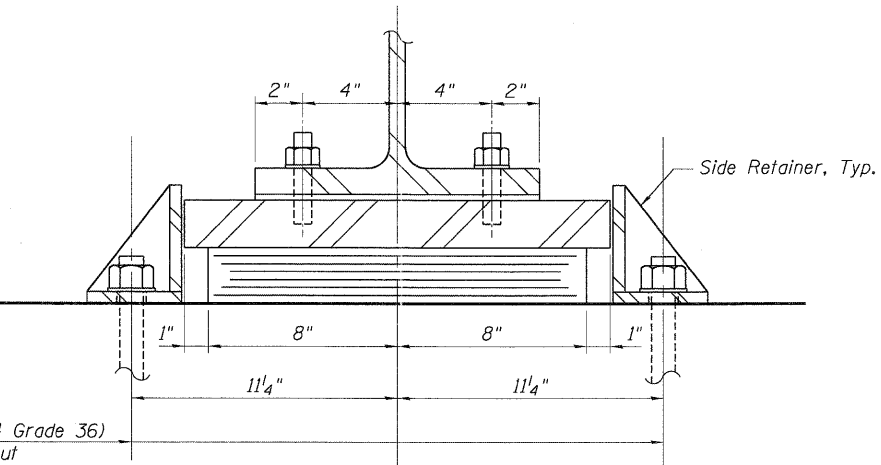


SIDE RETAINER

Equivalent rolled angle with stiffeners will be allowed in lieu of welded plates.



SECTION A-A

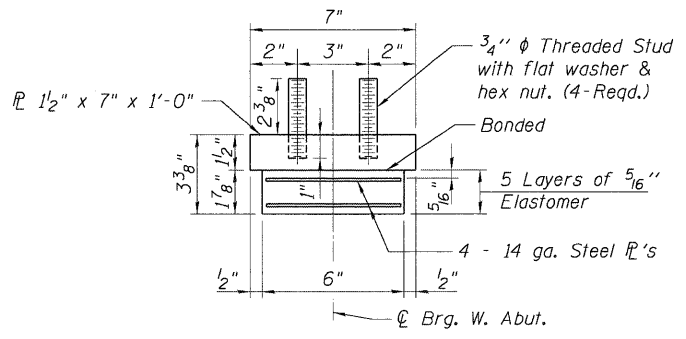


SECTION B-B

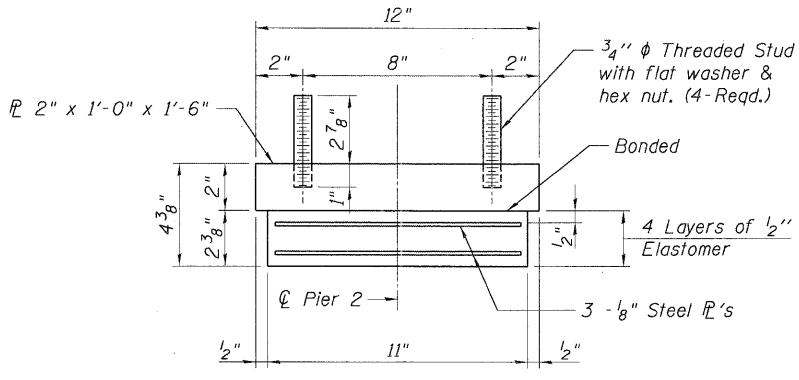
1" ϕ x 12" Anchor bolts (ASTM F1554 Grade 36) with 2 1/4" x 2 1/4" x 5/16" \mathcal{P} washer under nut

BILL OF MATERIAL

Item	Unit	Total
Elastomeric Bearing Assembly, Type I	Each	4
Anchor Bolts, 1"	Each	8



W. ABUT. BEARING ASSEMBLY
(2 Thus)



PIER 2 BEARING ASSEMBLY
(2 Thus)

TYPE I ELASTOMERIC EXPANSION BEARINGS

Notes:

- Anchor bolts shall be ASTM F1554 all-thread (or an Engineer-approved alternate material) of the grade and diameter specified. ASTM A307 Grade C anchor bolts may be used in lieu of ASTM F1554, Grade 36 (Fy = 36ksi). The corresponding specified grade of AASHTO M314 anchor bolts may be used in lieu of ASTM F1554.
- Anchor bolts for side retainers may be cast in place or installed in holes drilled before or after members are in place.
- Drilled and set anchor bolts shall be installed according to Article 521.06 of the Standard Specifications.
- Side retainers and other steel members required for the elastomeric expansion bearing assembly shall be included in the cost of Elastomeric Bearing Assembly, Type I.
- Shim plates shall not be placed under Bearing Assembly.
- The structural steel plates of the Bearing Assembly shall conform to the requirements of AASHTO M 270 Grade 50.
- Two 1/8" adjusting shims shall be provided for each bearing in addition to all other plates and placed as shown on bearing details.

FILE NAME = \S:\PROJECT\CD\60K90\0450003\SHEET\0450003-60K90-001-BEARING.SHT.DGN
 USER = \S\W\WARZ
 DATE = 05/18/11
 TENG & ASSOCIATES, INC. ENGINEERS/ARCHITECTS/PLANNERS CHICAGO, ILLINOIS
 STATE OF ILLINOIS DEPARTMENT OF TRANSPORTATION US 20 OVER MCLEAN BOULEVARD
 BEARING DETAILS 1 OF 2
 SCALE: SHEET NO. S-18 OF S-29 STA. 98+32.18
 SECTION BR-HB-2-BY-1 COUNTY KANE TOTAL SHEETS 434 SHEET NO. 259
 SN 045-0003 CONTRACT NO. 60K90
 FED. ROAD DIST. NO. 7 ILLINOIS FED. AID PROJECT