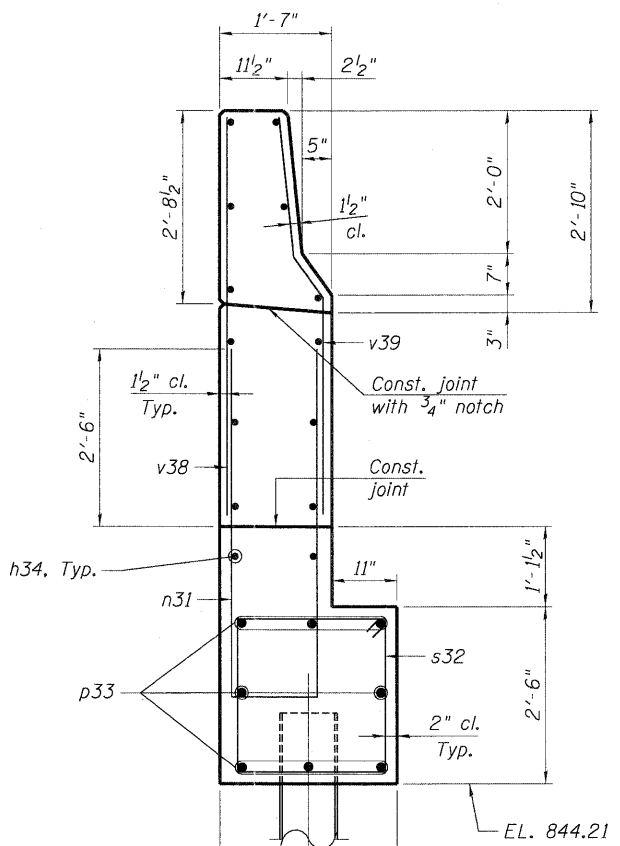
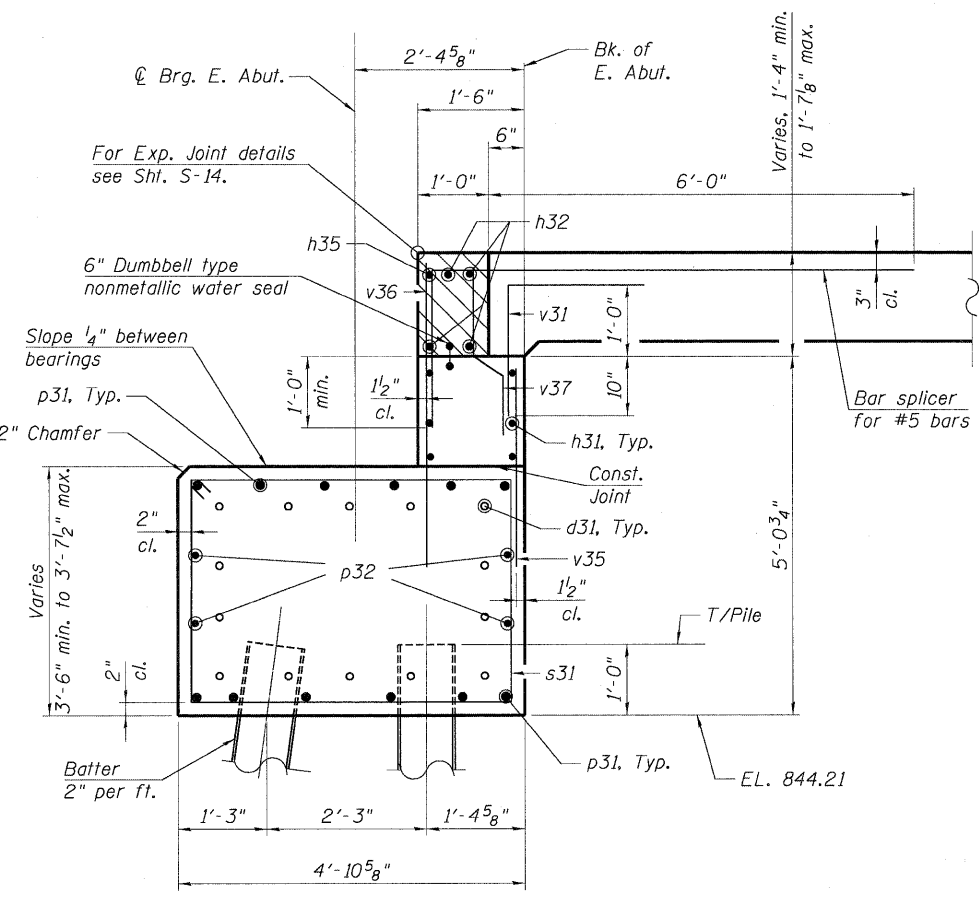


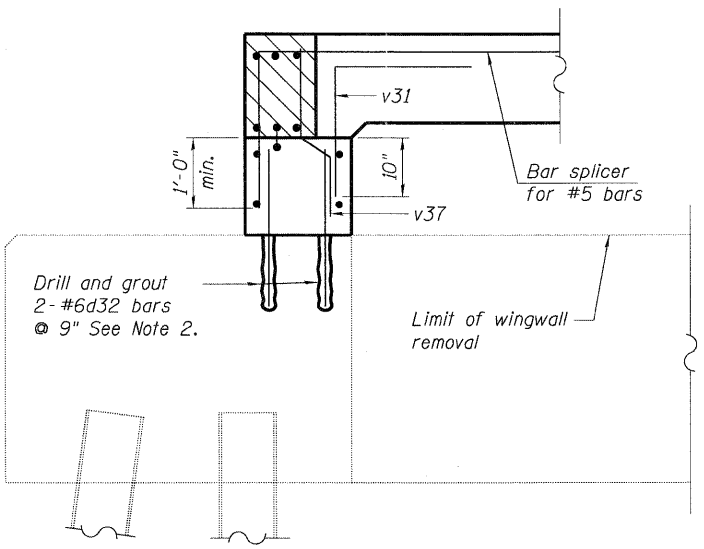
**WING WALL ELEVATION**  
(LOOKING NORTH)



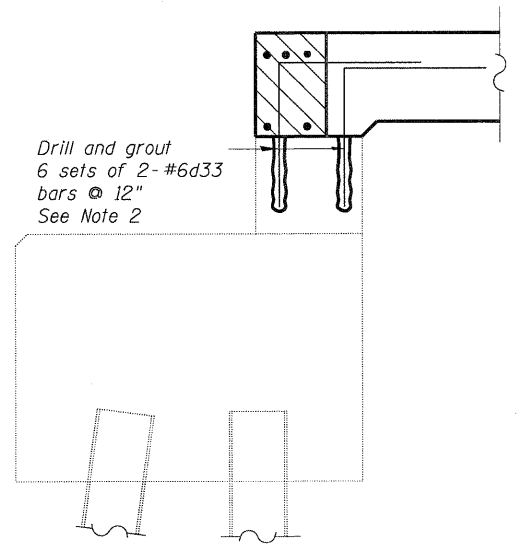
**SECTION B-B**



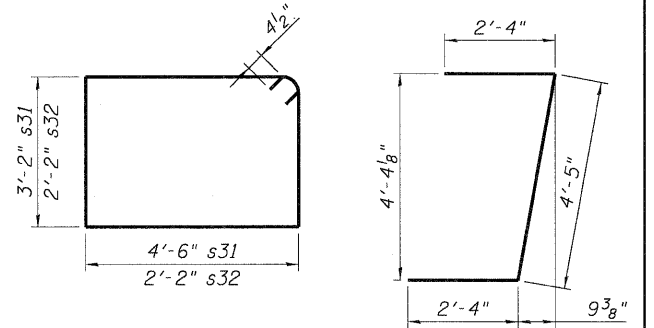
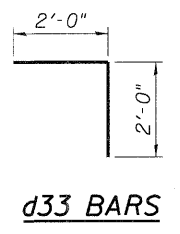
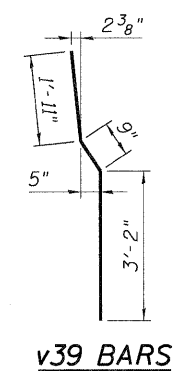
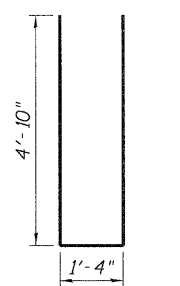
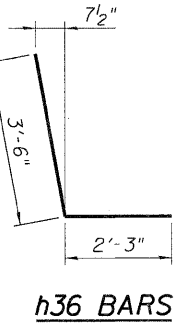
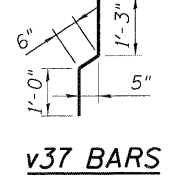
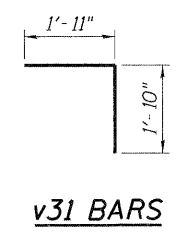
**SECTION A-A**



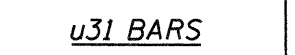
**SECTION C-C**



**SECTION D-D**



**s31 & s32 BARS**



**u31 BARS**

**BAR LIST**

| Bar | No. | Size | Length  | Shape |
|-----|-----|------|---------|-------|
| d31 | 22  | #6   | 3'-1"   |       |
| d32 | 4   | #6   | 2'-3"   |       |
| d33 | 12  | #6   | 4'-0"   |       |
| h31 | 6   | #5   | 13'-0"  |       |
| h32 | 4   | #6   | 18'-11" |       |
| h34 | 14  | #4   | 9'-8"   |       |
| h35 | 1   | #5   | 18'-11" |       |
| h36 | 10  | #4   | 5'-9"   |       |
| n31 | 11  | #6   | 11'-0"  |       |
| p31 | 12  | #7   | 13'-0"  |       |
| p32 | 4   | #5   | 13'-0"  |       |
| p33 | 8   | #7   | 10'-5"  |       |
| s31 | 24  | #4   | 16'-1"  |       |
| s32 | 10  | #4   | 9'-5"   |       |
| u31 | 4   | #6   | 9'-1"   |       |
| v31 | 14  | #5   | 3'-9"   |       |
| v35 | 23  | #4   | 2'-8"   |       |
| v36 | 23  | #4   | 4'-1"   |       |
| v37 | 14  | #4   | 2'-9"   |       |
| v38 | 11  | #6   | 5'-7"   |       |
| v39 | 11  | #6   | 5'-10"  |       |

**BILL OF MATERIAL**

| Item                            | Unit    | Total |
|---------------------------------|---------|-------|
| Structure Excavation            | Cu. Yd. | 35    |
| Concrete Structures             | Cu. Yd. | 14.0  |
| Concrete Superstructure         | Cu. Yd. | 2.2   |
| Reinforcement Bars              | Pound   | 2,000 |
| Furnishing Steel Piles HP 10x42 | Foot    | 132   |
| Driving Piles                   | Foot    | 132   |
| Pile Shoes                      | Each    | 4     |

- Notes:**
1. Work this sheet with Sht. S-22.
  2. Drill and epoxy grout dowels into existing abutment wingwall as shown. See Note 10 on Sht. S-22.

FILE NAME = #FILEL#  
 USER NAME = #USER#  
 DESIGNED - PK  
 DRAWN - PK  
 CHECKED - MDB  
 DATE - 05/18/11  
 REVISIONS -  
 REVISIONS -  
 REVISIONS -  
 REVISIONS -  
 REVISIONS -  
 STATE OF ILLINOIS  
 DEPARTMENT OF TRANSPORTATION  
 US 20 OVER MCLEAN BOULEVARD  
 EAST ABUTMENT  
 DETAILS AND BAR LIST  
 F.A.P. RTE. SECTION COUNTY TOTAL SHEETS SHEET NO.  
 345 8R-HB-2-BY-1 KANE 434 264  
 SN 045-0003 CONTRACT NO. 60K90  
 SCALE: SHEET NO. S-23 OF S-29 STA. 98+32.18  
 FED. ROAD DIST. NO. 7 ILLINOIS FED. AID PROJECT