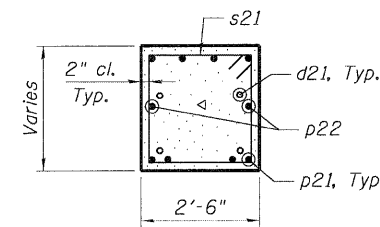
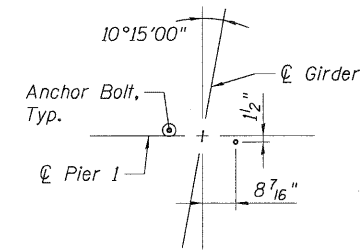


CAP PLAN

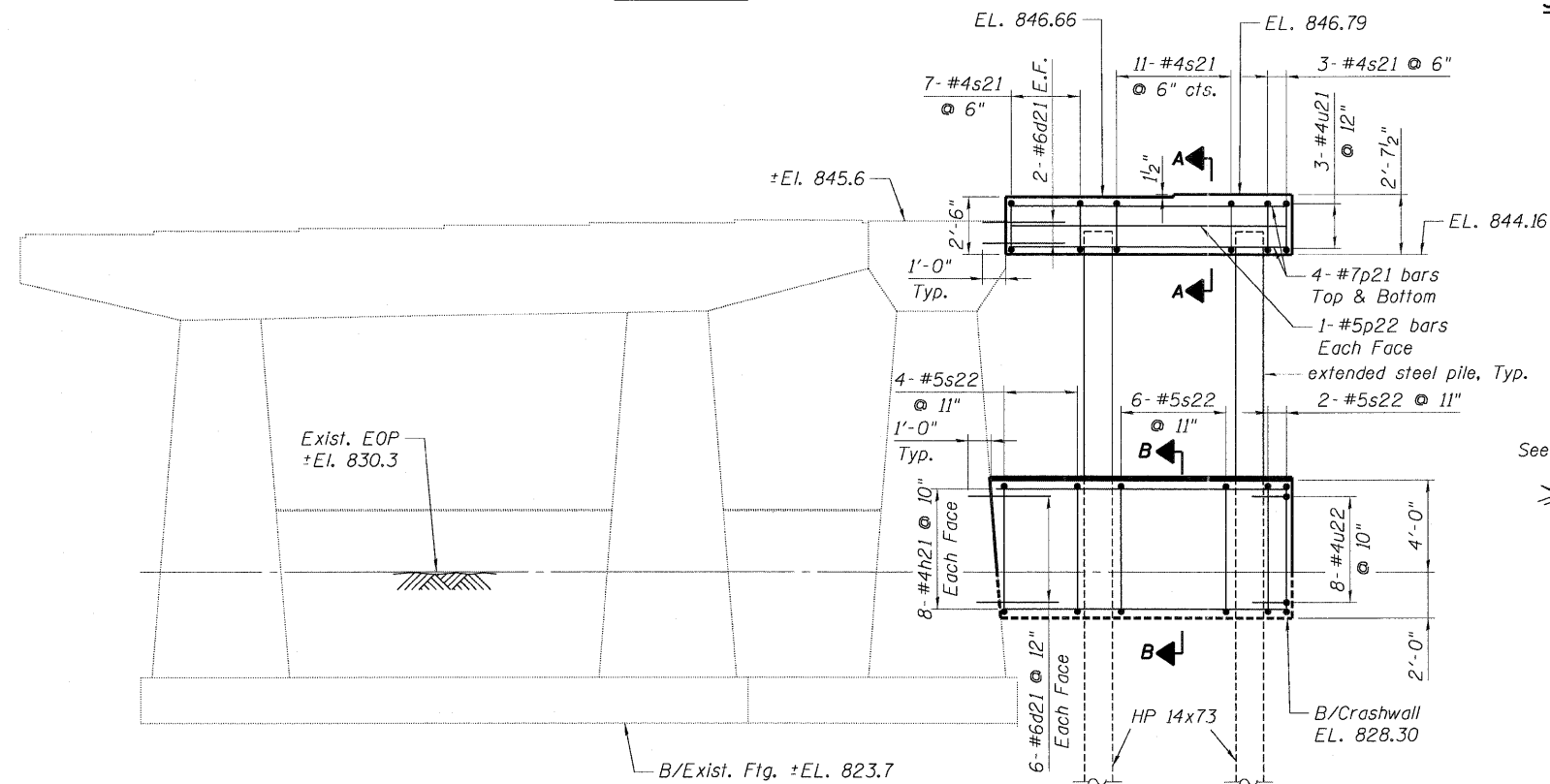


SECTION A-A

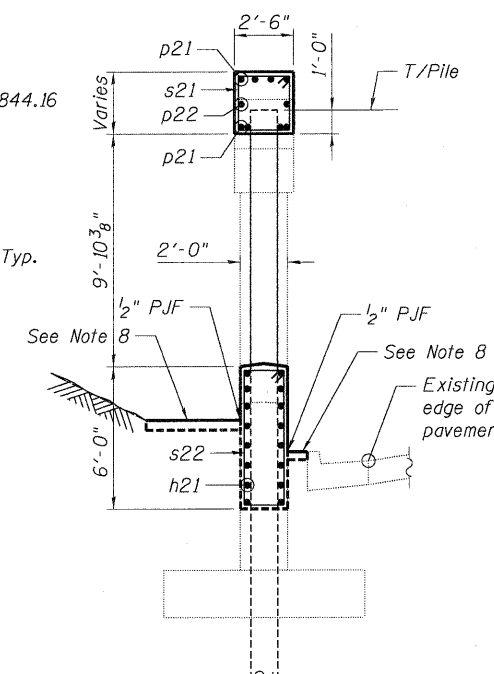


ANCHOR BOLT LAYOUT

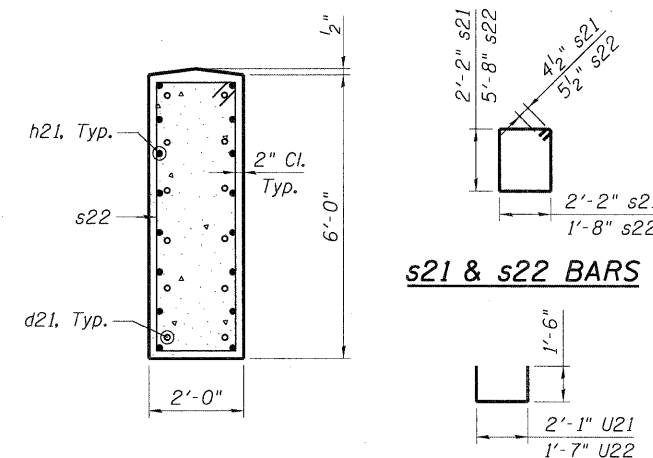
BAR LIST				
Bar	No.	Size	Length	Shape
d21	16	#6	3'-4"	—
h21	16	#4	12'-5"	—
p21	8	#7	12'-2"	—
p22	2	#5	12'-2"	—
s21	21	#4	9'-5"	□
s22	12	#5	15'-7"	□
u21	3	#4	5'-1"	┌
u22	8	#4	4'-7"	┌



ELEVATION
(Looking East)



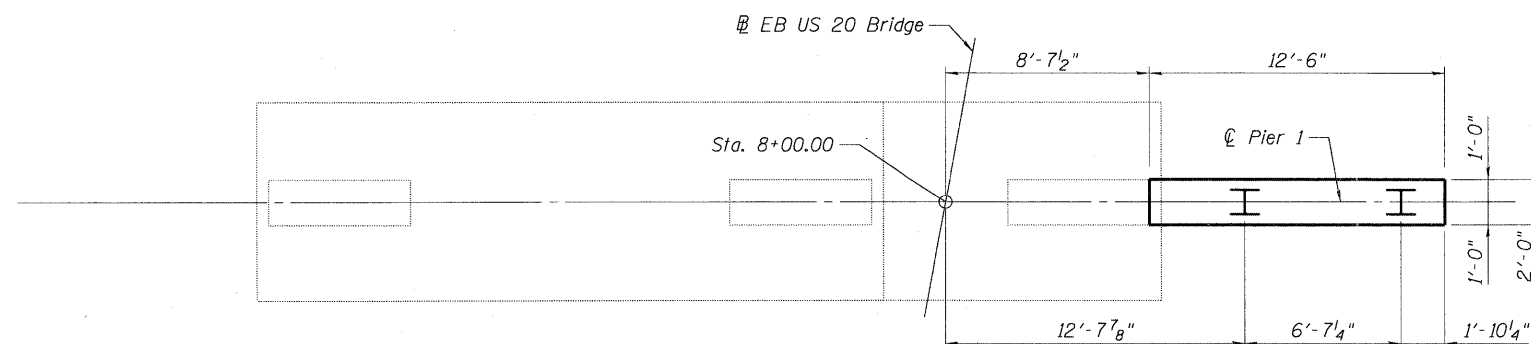
END VIEW
(Looking North)



SECTION B-B

s21 & s22 BARS

u21 & u22 BARS



FOOTING PLAN

PILE DATA

Type: Steel HP 14x73 with pile shoes
 Nominal Required Bearing: 432 kips
 Allowable Resistance Available: 144 kips
 Est. Length: 34' (see Note 6)
 No. Production Piles: 2
 No. Test Piles: 0

Notes:

- Space reinforcement in cap to miss anchor bolts.
- Pour steps monolithically with cap.
- For details of steel H-piles, see Sht. S-7.
- For anchor bolt and bearing details, see Sht. S-19.
- During pier construction, traffic on McLean Boulevard shall be maintained according to the staging traffic control plans. See MOT Plans, Sheets 96 & 95.
- No test piles will be performed; the quantity for Furnishing Steel Piles has been increased by 10' per pile to reflect the uncertainty in length required. The Contractor shall drive piles to the listed Nominal Required Bearing and cut piles at the T/Pile elevation shown. Furnishing Steel Piles shall be paid for at the actual furnished length (as shown in the bill of material).
- Drill and epoxy grout d21 bars in 12" min. drilled holes according to Section 584 of the Standard Specifications. Method and grout are subject to the approval of the Engineer. Locate dowels to provide a minimum of 4" clear cover. Cost of drilling and grouting bars shall be included with Reinforcement Bars.
- For sidewalk removal and replacement, see Roadway Plans, Sheets 40 & 41. Cost of preformed joint filler included in Concrete Structures.

STATE OF ILLINOIS
 DEPARTMENT OF TRANSPORTATION
 US 20 OVER MCLEAN BOULEVARD

PIER 1

FILE NAME =
 USER NAME = #USER#
 DESIGNED - PK
 DRAWN - PK
 CHECKED - MDB
 DATE - 05/18/11

REVISIONS
 REVISED -
 REVISED -
 REVISED -
 REVISED -

SCALE:
 SHEET NO. S-24 OF S-29
 STA. 98+32.18

F.A.P. RTE. SECTION COUNTY TOTAL SHEETS SHEET NO.
 345 8R-HB-2-BY-1 KANE 434 265
 SN 045-0003 CONTRACT NO. 60K90
 FED. ROAD DIST. NO. 7 ILLINOIS FED. AID PROJECT

TENG & ASSOCIATES, INC.
 ENGINEERS/ARCHITECTS/PLANNERS
 CHICAGO, ILLINOIS

V:\450003-60K90-001-PIER.DGN, V:\ALL\SNUM-60K90-001-BORDER.DGN
 5-13-2011 15:28:11 HAYWARD V:\5-9244\KAVAJU.TJO-TRANS.07\2222\21379-001\STRUCT\CAO\60K90-0450003\SHEET\0450003-60K90-001-PIER_SHT.DGN