

**GENERAL NOTES**

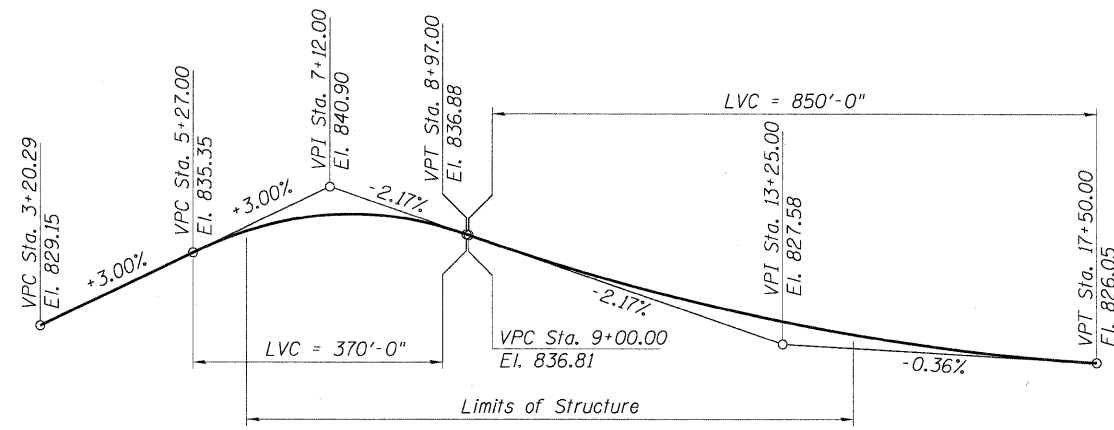
1. Reinforcement bars shall conform to the requirements of ASTM A 706 Grade 60. See Special Provisions.
2. Reinforcement bars designated (E) shall be epoxy coated.
3. Slipforming of the barrier is NOT allowed.

**TOTAL BILL OF MATERIAL**

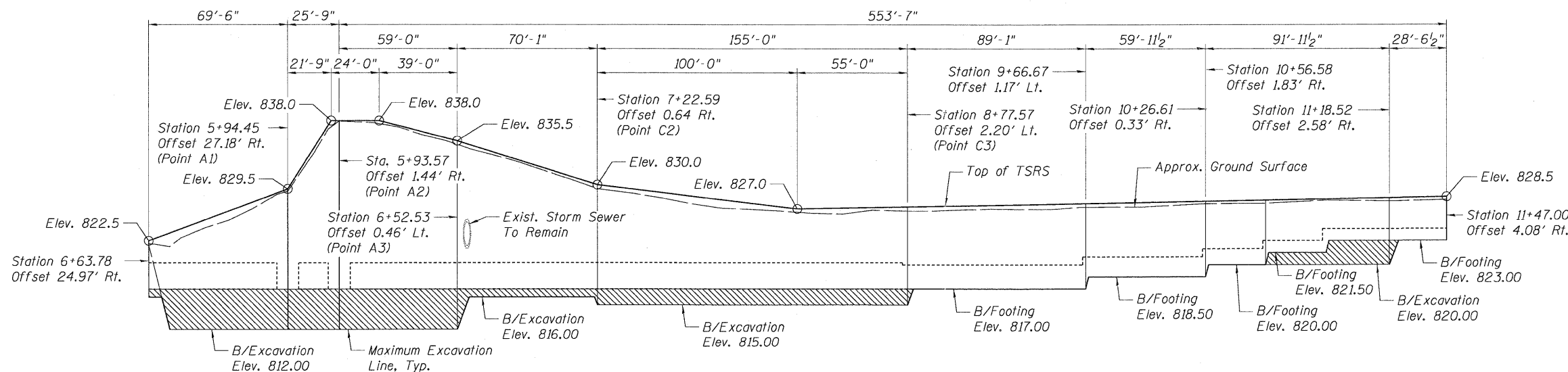
ITEM	UNIT	TOTAL
Porous Granular Embankment	Cu Yd	569
Structure Excavation	Cu Yd	2,877
Removal and Disposal of Unsuitable Material for Structures	Cu Yd	632
Concrete Structures	Cu Yd	1,649.9
Form Liner Textured Surface	Sq Ft	8,676
Protective Coat	Sq Yd	360
Reinforcement Bars, Epoxy Coated	Pound	183,740
Geocomposite Wall Drain	Sq Yd	899
Porous Granular Embankment, Special	Cu Yd	1,222
Pipe Underdrains for Structures 4"	Foot	830
Temporary Soil Retention System	Sq Ft	8,630

**INDEX OF SHEETS**

- RW11-1 General Plan and Elevation
- RW11-2 General Notes, Index of Sheets, and Total Bill of Material
- RW11-3 Wall Plan and Elevation, 1 of 9
- RW11-4 Wall Plan and Elevation, 2 of 9
- RW11-5 Wall Plan and Elevation, 3 of 9
- RW11-6 Wall Plan and Elevation, 4 of 9
- RW11-7 Wall Plan and Elevation, 5 of 9
- RW11-8 Wall Plan and Elevation, 6 of 9
- RW11-9 Wall Plan and Elevation, 7 of 9
- RW11-10 Wall Plan and Elevation, 8 of 9
- RW11-11 Wall Plan and Elevation, 9 of 9
- RW11-12 Wall Sections
- RW11-13 Details and Bar List
- RW11-14 Form Liner Details
- RW11-15 Soil Boring Logs, 1 of 4
- RW11-16 Soil Boring Logs, 2 of 4
- RW11-17 Soil Boring Logs, 3 of 4
- RW11-18 Soil Boring Logs, 4 of 4



**PROFILE GRADE - B RAMP B**



**LEGEND:**

Removal and Disposal of Unsuitable Material for Structures

**TEMPORARY SOIL RETENTION SYSTEM**

(Developed Elevation)

(Points A1, A2, A3, C2, C3 refer to the table for Limits of Removal and Disposal of Unsuitable Material for Structures on Sht. RW11-1.)

Note:  
A cantilevered sheet piling design does not appear feasible and additional members or other retention systems may be necessary. The Contractor shall submit a temporary soil retention system design including plan details and calculations for review and acceptance by the Engineer.

0451011-60K90-001-GENNOTE.DGN, \ALLSNUM-60K90-001-BORDER.DGN  
 5-13-2011, 15:23:17  
 HAYMARZ \NTS-004\VAULT\T-D-TRANS-07\2202\21379-001\STRUCT\CA0\60K90-001\0451011-60K90-001-GENNOTE\_SHT.DGN

FILE NAME =	USER NAME = #USER#	DESIGNED - MDB	REVISED -	<b>STATE OF ILLINOIS DEPARTMENT OF TRANSPORTATION US 20 OVER MCLEAN BOULEVARD</b>	<b>GENERAL NOTES, INDEX OF SHEETS, AND TOTAL BILL OF MATERIAL</b>	F.A.P. RTE.	SECTION	COUNTY	TOTAL SHEETS	SHEET NO.	
#FILE#		DRAWN - MDB	REVISED -			345	BR-HB-2-BY-1	KANE	434	282	
PLOT SCALE = #SCALE#		CHECKED - PK	REVISED -			SN 045-W011 CONTRACT NO. 60K90					
PLOT DATE = #DATE#		DATE - 05/18/11	REVISED -			FED. ROAD DIST. NO. 7 ILLINOIS FED. AID PROJECT					
				SCALE:		SHEET NO. RW11-2 OF RW11-18 STA. 5+99.65 TO STA. 14+20.74					

