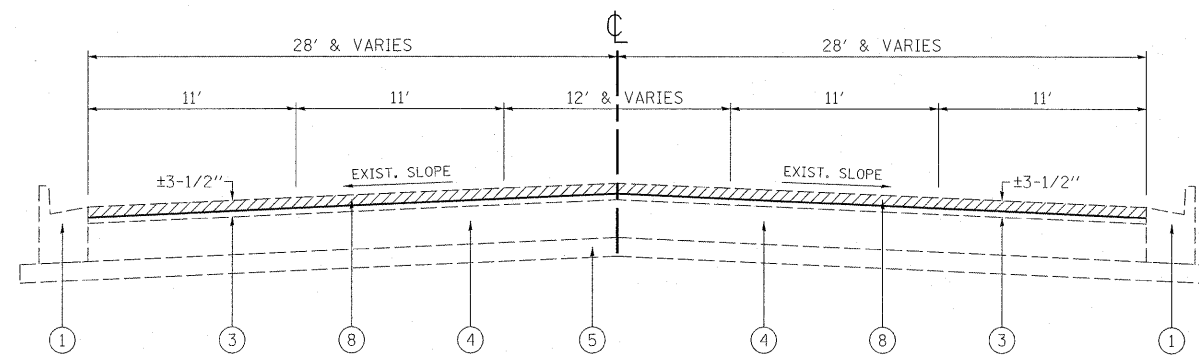


ST. CHARLES RD.



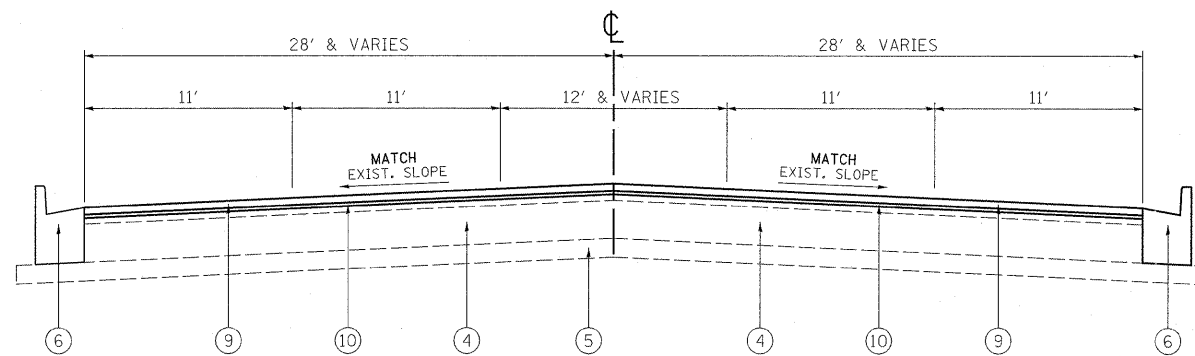
EXISTING TYPICAL SECTION

STA. 11+18 TO STA. 14+34

LEGEND

- ① EXISTING COMBINATION CONCRETE CURB AND GUTTER, TYPE B-6.24 (MODIFIED)
- ② EXISTING COMBINATION CONCRETE CURB AND GUTTER, TYPE B-6.12 (MODIFIED)
- ③ EXISTING HMA SURFACE COURSE - (±) 3-1/2"
- ④ EXISTING PORTLAND CEMENT CONCRETE BASE COURSE - (±) 8"
- ⑤ EXISTING SUB-BASE GRANULAR MATERIAL - (±) 4"
- ⑥ PROPOSED COMBINATION CONCRETE CURB AND GUTTER REMOVAL AND REPLACEMENT (LOCATIONS TO BE DETERMINED BY THE RESIDENT ENGINEER)
- ⑦ PROPOSED HOT-MIX ASPHALT SURFACE REMOVAL - 1-1/2"
- ⑧ PROPOSED HOT-MIX ASPHALT SURFACE REMOVAL - 2-1/4"
- ⑨ PROPOSED HOT-MIX ASPHALT SURFACE COURSE, MIX "D", N70 - 1-1/2"
- ⑩ PROPOSED POLYMERIZED LEVELING BINDER (MACHINE METHOD), IL-4.75, N50 - 3/4"

ST. CHARLES RD.



PROPOSED TYPICAL SECTION

STA. 11+18 TO STA. 14+34

NOTES:

A) THE CONTRACTOR SHALL PATCH FIRST BEFORE MILLING.

HOT-MIX ASPHALT MIXTURE REQUIREMENTS		
MIXTURE USES	MIXTURE TYPE	AIR VOIDS @ Ndes
ROADWAY	HOT-MIX ASPHALT SURFACE COURSE, MIX "D", N70, (IL-9.5 mm)	4% @ 70 GYR
	POLYMERIZED LEVELING BINDER (MACHINE METHOD), IL-4.75, N50	4% @ 50 GYR
PATCHES	CLASS D PATCHES (HMA BINDER IL-19 mm)	4% @ 70 GYR
	HMA REPLACEMENT OVER PATCHES (HMA BINDER IL-19 mm)	4% @ 70 GYR

NOTE 1: THE UNIT WEIGHT USED TO CALCULATE ALL HMA SURFACE MIXTURES IS 112 LBS/SOYD/IN.

NOTE 2: THE "AC TYPE" FOR POLYMERIZED HMA MIXES SHALL BE "SBS/SBR PG 70 -22" AND FOR NON-POLYMERIZED HMA THE "AC TYPE" SHALL BE "PG 64 -22" UNLESS MODIFIED BY DISTRICT ONE SPECIAL PROVISIONS. FOR "PERCENT OF RAP" SEE DISTRICT ONE SPECIAL PROVISIONS.

FILE NAME =	USER NAME = VelichkovVV	DESIGNED -	REVISED -
ct:\pw\work\pwsdot\velichkovv\d0248741\09411-sht-plen.dgn		DRAWN -	REVISED -
PLOT SCALE = 50.0000' / IN.		CHECKED -	REVISED -
PLOT DATE = 5/11/2011		DATE -	REVISED -

STATE OF ILLINOIS  
DEPARTMENT OF TRANSPORTATION

ST. CHARLES RD. (WOLF RD. TO SPEECHLEY BLVD.)  
EXISTING AND PROPOSED TYPICAL SECTIONS

SCALE: SHEET NO. OF SHEETS STA. TO STA.

F.A.U. RTE.	SECTION	COUNTY	TOTAL SHEETS	SHEET NO.
1397	134-Y-RS-1	COOK	19	4
CONTRACT NO. 60M27				
ILLINOIS FED. AID PROJECT				