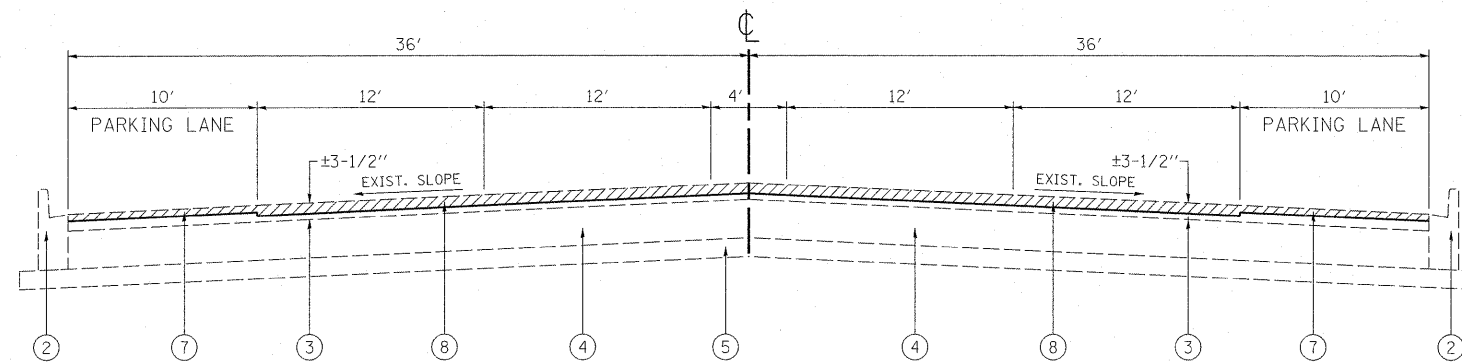


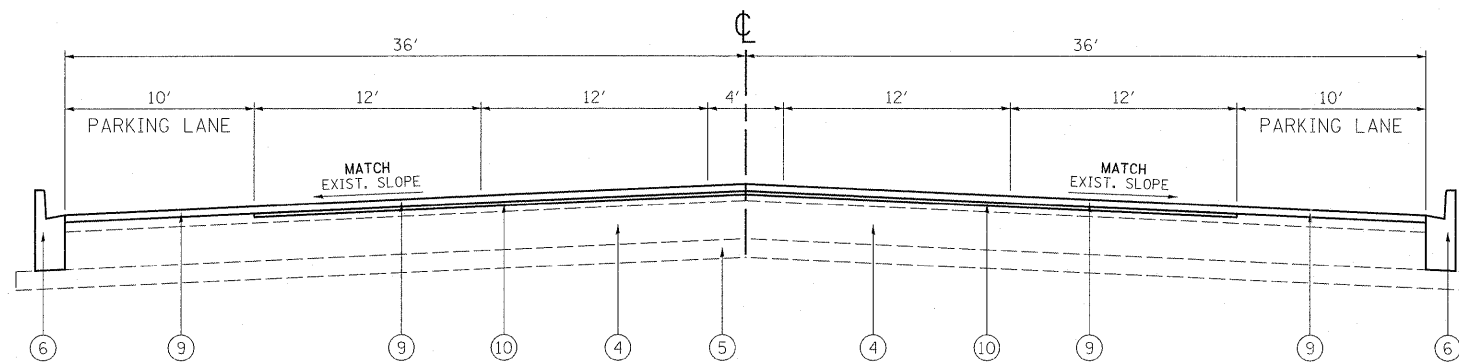
ST. CHARLES RD.



EXISTING TYPICAL SECTION

STA. 14+34 TO STA. 23+67
SEE NOTE "B"

ST. CHARLES RD.



PROPOSED TYPICAL SECTION

STA. 14+34 TO 23+67
SEE NOTE "B"

LEGEND

- ① EXISTING COMBINATION CONCRETE CURB AND GUTTER, TYPE B-6.24 (MODIFIED)
- ② EXISTING COMBINATION CONCRETE CURB AND GUTTER, TYPE B-6.12 (MODIFIED)
- ③ EXISTING HMA SURFACE COURSE - (±) 3-1/2"
- ④ EXISTING PORTLAND CEMENT CONCRETE BASE COURSE - (±) 8"
- ⑤ EXISTING SUB-BASE GRANULAR MATERIAL - (±) 4"
- ⑥ PROPOSED COMBINATION CONCRETE CURB AND GUTTER REMOVAL AND REPLACEMENT (LOCATIONS TO BE DETERMINED BY THE RESIDENT ENGINEER)
- ⑦ PROPOSED HOT-MIX ASPHALT SURFACE REMOVAL - 1-1/2"
- ⑧ PROPOSED HOT-MIX ASPHALT SURFACE REMOVAL - 2-1/4"
- ⑨ PROPOSED HOT-MIX ASPHALT SURFACE COURSE, MIX "D", N70 - 1-1/2"
- ⑩ PROPOSED POLYMERIZED LEVELING BINDER (MACHINE METHOD), IL-4.75, N50 - 3/4"

NOTES:

- A) THE CONTRACTOR SHALL PATCH FIRST BEFORE MILLING.
- B) PARKING LANES
STA. 14+34 RT TO STA. 23+67 RT
STA. 13+32 LT TO STA. 23+45 LT

FILE NAME =	USER NAME = VelichkovVV	DESIGNED -	REVISED -	STATE OF ILLINOIS DEPARTMENT OF TRANSPORTATION	ST. CHARLES RD. (WOLF RD. TO SPEECHLEY BLVD.) EXISTING AND PROPOSED TYPICAL SECTIONS	F.A.U. RTE.	SECTION	COUNTY	TOTAL SHEETS	SHEET NO.	
ct:\pw_work\pwsdot\velichkovvv\d0248741\09411-sht-plan.dgn	PLOT SCALE = 50.0000' / IN.	DRAWN -	REVISED -			1397	134-Y-RS-1	COOK	19	5	
PLOT DATE = 5/11/2011	DATE -	CHECKED -	REVISED -			CONTRACT NO. 60M27					
		DATE -	REVISED -			ILLINOIS FED. AID PROJECT					
					SCALE:	SHEET NO.	OF	SHEETS	STA.	TO STA.	