

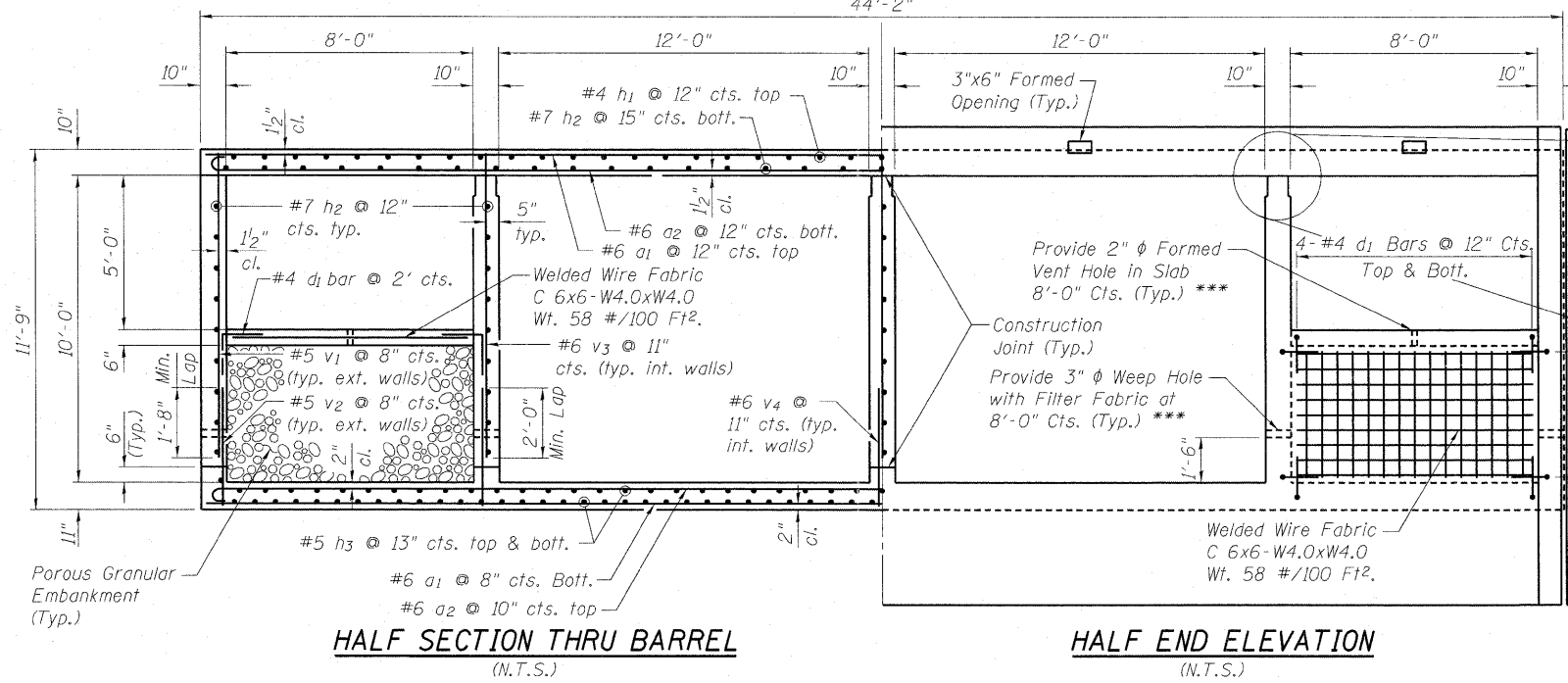
PLAN

⊙ Symm.

- * Cut-to-Fit, and use Cut-Offs on opposite side.
- ** Dimension from inside corner of head wall to end of wing wall.
- *** Cost included in pay item for Concrete Box Culvert.

Note:
Bars indicated thus 45x3-#4, etc. Indicates 45 Lines of Bars with 3 Lengths per Line.

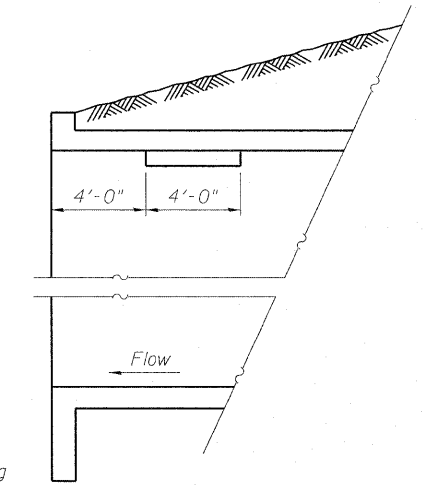
Minimum Bar Laps:
No. 4 Bars - 2'-1"
No. 5 Bars - 2'-7"
No. 6 Bars - 3'-1"
No. 7 Bars - 4'-2"



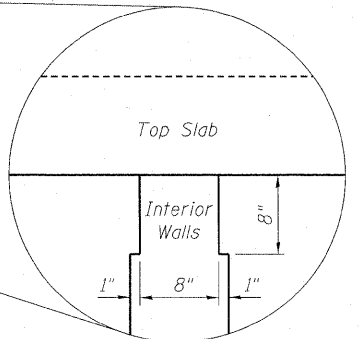
HALF SECTION THRU BARREL
(N.T.S.)

HALF END ELEVATION
(N.T.S.)

- Phoebe Nesting Site Notes:**
1. Notch formed by rough-finished board attached to and removed with formwork.
 2. Cost of providing Phoebe Nesting area included in pay item for Concrete Box Culvert.



LONGITUDINAL SECTION
(N.T.S.)



NOTCH DETAIL
(N.T.S.)

PHOEBE NESTING SITE ON BOX CULVERT

FILE NAME =	USER NAME =	DESIGNED - JMS	REVISD -	STATE OF ILLINOIS DEPARTMENT OF TRANSPORTATION	BOX CULVERT LAYOUT STRUCTURE NO. 016-2856	F.A.U. RTE. 1381	SECTION 0101.1-T	COUNTY COOK	TOTAL SHEETS 47	SHEET NO. 27
PLOT SCALE =	DRAWN - DR	REVISD -				CONTRACT NO. 60M82				
PLOT DATE =	CHECKED - JMH	REVISD -				ILLINOIS FED. AID PROJECT				
SHEET NO. 53 OF 56 SHEETS										