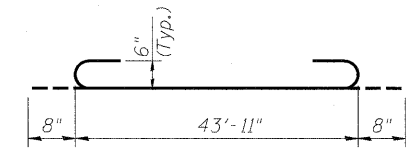


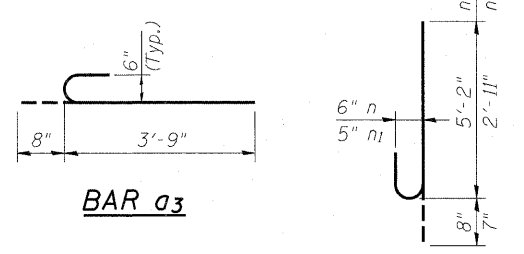
BILL OF MATERIAL

Bar	No.	Size	Length	Shape
a ₁	381	#6	43'-11"	
a ₂	350	#6	45'-3"	
a ₃	276	#6	4'-3"	
d	190	#4	5'-6"	
d ₁	476	#4	3'-6"	
h ₁	135	#4	37'-4"	
h ₂	172	#7	38'-9"	
h ₃	164	#5	37'-8"	
h ₄	17	#4	20'-11"	
h ₅	7	#4	21'-3"	
h ₆	17	#4	6'-11"	
h ₇	7	#4	7'-9"	
h ₈	17	#4	11'-11"	
h ₉	7	#4	12'-6"	
h ₁₀	17	#4	8'-11"	
h ₁₁	7	#4	9'-7"	
h ₁₂	40	#7	40'-6"	
n	62	#6	5'-10"	
n ₁	58	#5	3'-6"	
s	78	#4	4'-7"	
s ₁	78	#4	4'-5"	
t	115	#5	7'-11"	
v	8	#5	3'-0"	
v ₁	326	#5	10'-3"	
v ₂	326	#5	2'-7"	
v ₃	354	#6	10'-3"	
v ₄	354	#6	2'-11"	
v ₅	62	#5	13'-10"	
v ₆	17	#4	13'-10"	
v ₇	8	#5	11'-0"	
v ₈	8	#5	5'-8"	
w ₁	12	#5	20'-10"	
w ₂	12	#5	11'-10"	
w ₃	12	#5	6'-10"	
w ₄	12	#5	8'-10"	
Concrete Box Culverts			Cu. Yd.	577.6
Reinforcement Bars, Epoxy Coated			Pound	105,040
Welded Wire Fabric****			Pound	1,090

**** For information purposes only to assist the Contractor in bidding. Cost for Welded Wire Fabric to be included in pay item for Reinforcement Bars, Epoxy Coated.

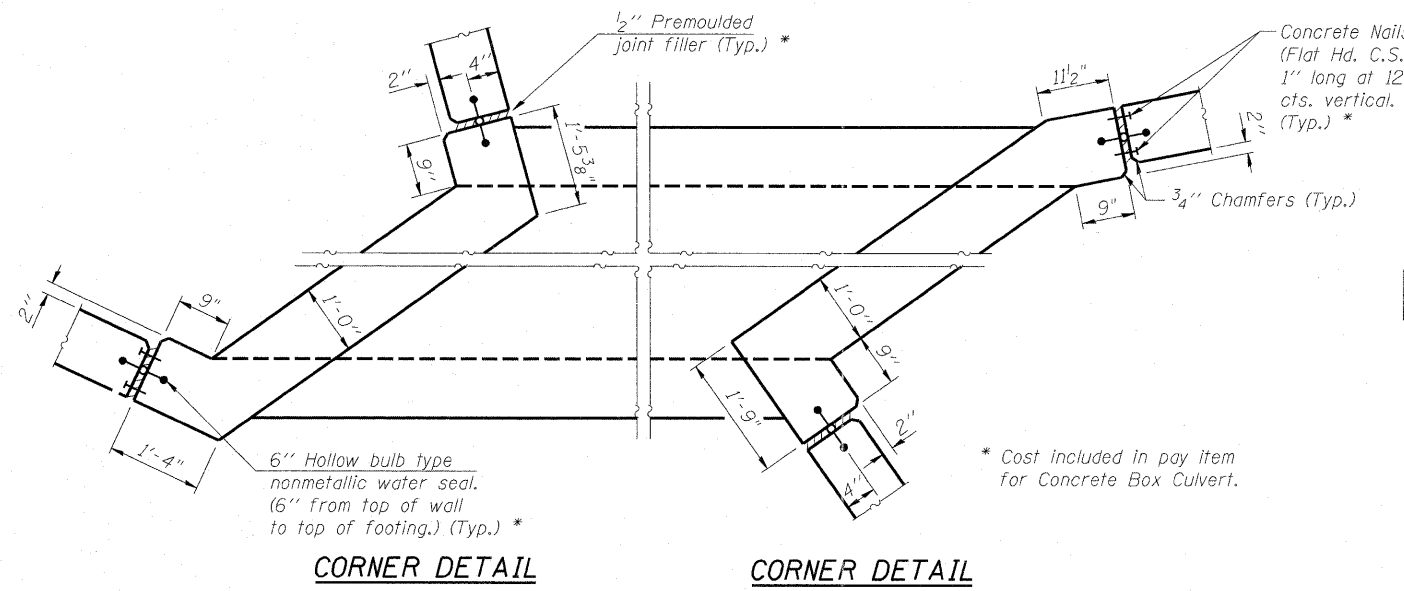
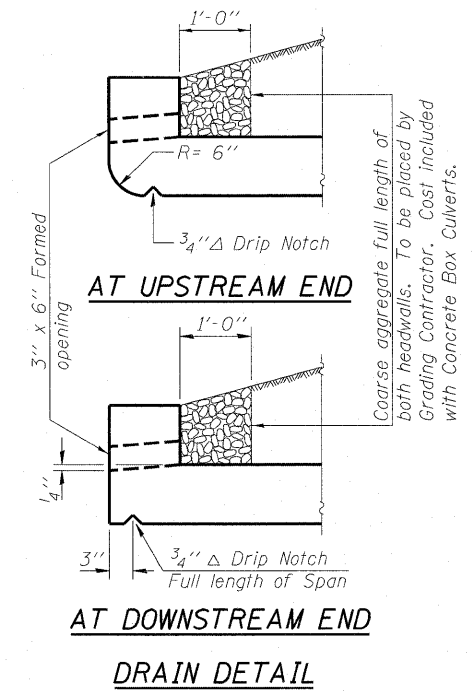


BAR a₂



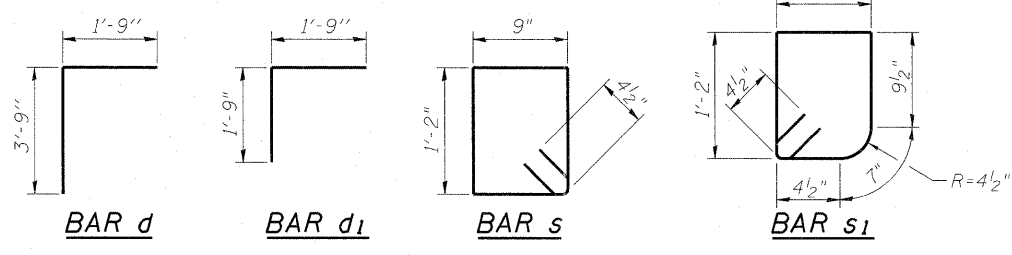
BAR a₃

BARS n and n₁



CORNER DETAIL

CORNER DETAIL

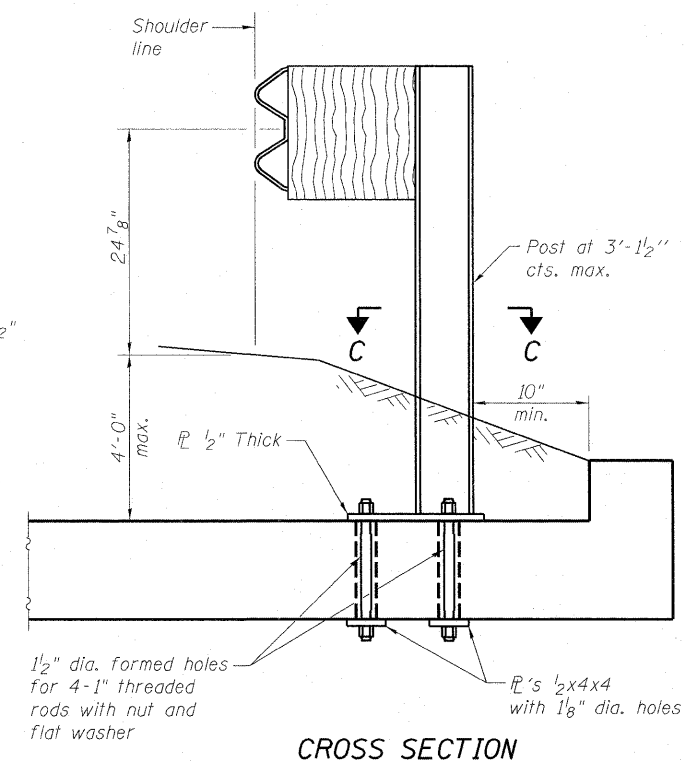


BAR d

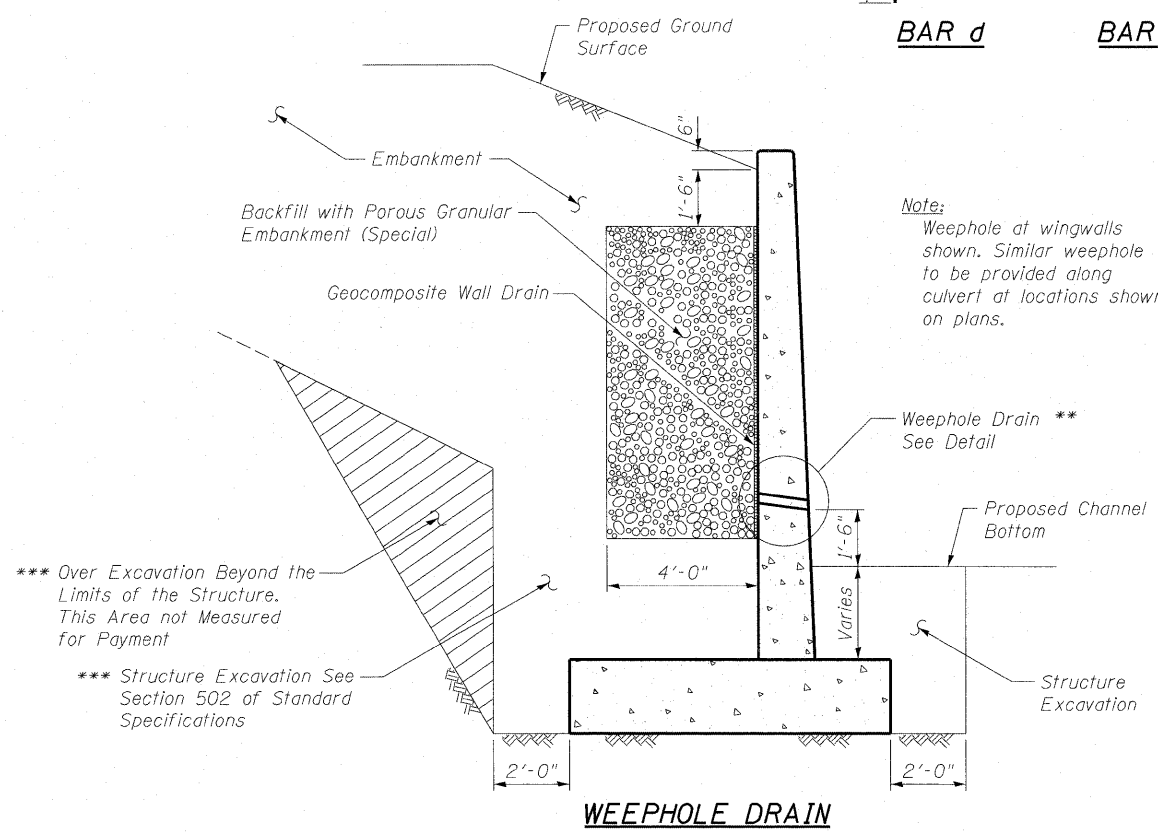
BAR d₁

BAR s

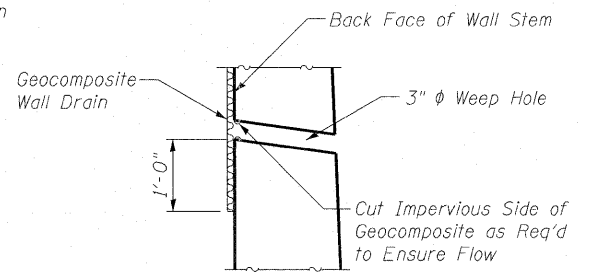
BAR s₁



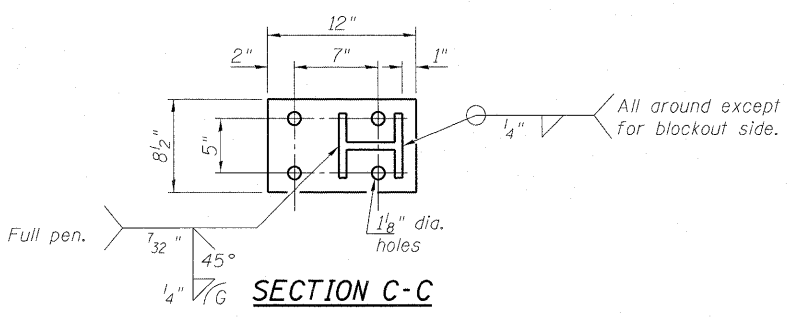
CROSS SECTION



WEEPHOLE DRAIN



WEEPHOLE DRAIN DETAIL



SECTION C-C

GUARDRAIL MOUNTED ON EXISTING CULVERTS
CASE IV MOUNTED ON SLAB

(See Standard 630101)