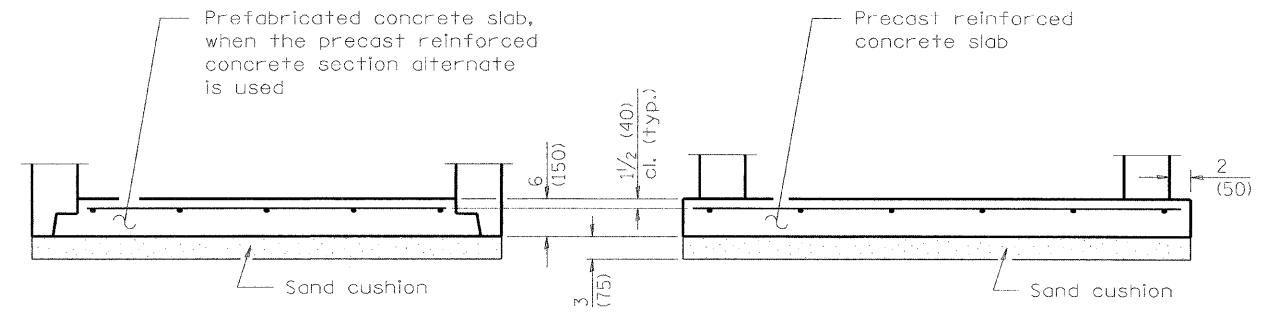
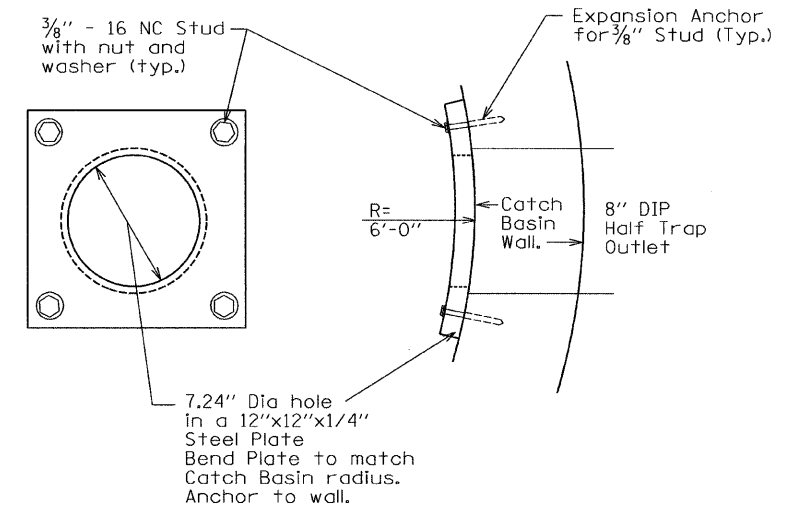


**ELEVATION**  
(Not to Scale)



**ALTERNATE BOTTOM SLAB**



**RESTRICTOR PLATE DETAIL**

**GENERAL NOTES**

- Bottom slabs shall be reinforced with a minimum of 0.20 sq. in./ft (420 sq. mm/m) in both directions with a maximum spacing of 12 (300).
- Bottom slabs may be connected to the riser as determined by the fabricator; however, only a single row of reinforcement around the perimeter may be utilized.
- See Standard 602406 for additional details
- See Standard 602601 for details of Precast Reinforced Concrete Flat Top Slab.
- See Standard 602701 for details of steps.
- All dimensions are in inches (millimeters) unless otherwise shown.
- Basis of Payment: CATCH BASINS, TYPE A, 6' DIAMETER, TYPE 1 FRAME, CLOSED LID.

FILE NAME =	USER NAME = .USER.	DESIGNED - EF	REVISED -	<b>STATE OF ILLINOIS DEPARTMENT OF TRANSPORTATION</b>	<b>PULASKI ROAD AT 103rd STREET OUTLET CONTROL STRUCTURE AND RESTRICTOR DETAIL</b>			F.A.U. RTE. 3778	SECTION 2011-022-T	COUNTY COOK	TOTAL SHEETS 34	SHEET NO. 15
#FILEL#	PLOT SCALE = 50:1 (0.0000) 1" / IN.	DRAWN - EF	REVISED -		SCALE: NTS	SHEET NO. 1 OF 1 SHEETS	STA. TO STA.	CONTRACT NO. 60P21				
	PLOT DATE = 6/2/2011	CHECKED - RS	REVISED -		ILLINOIS FED. AID PROJECT							
		DATE - 06-02-2011	REVISED -									