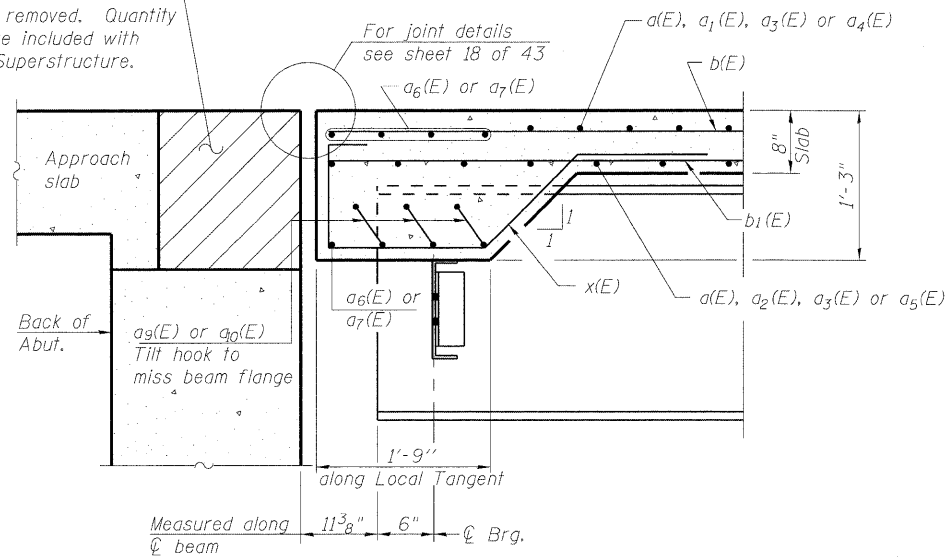
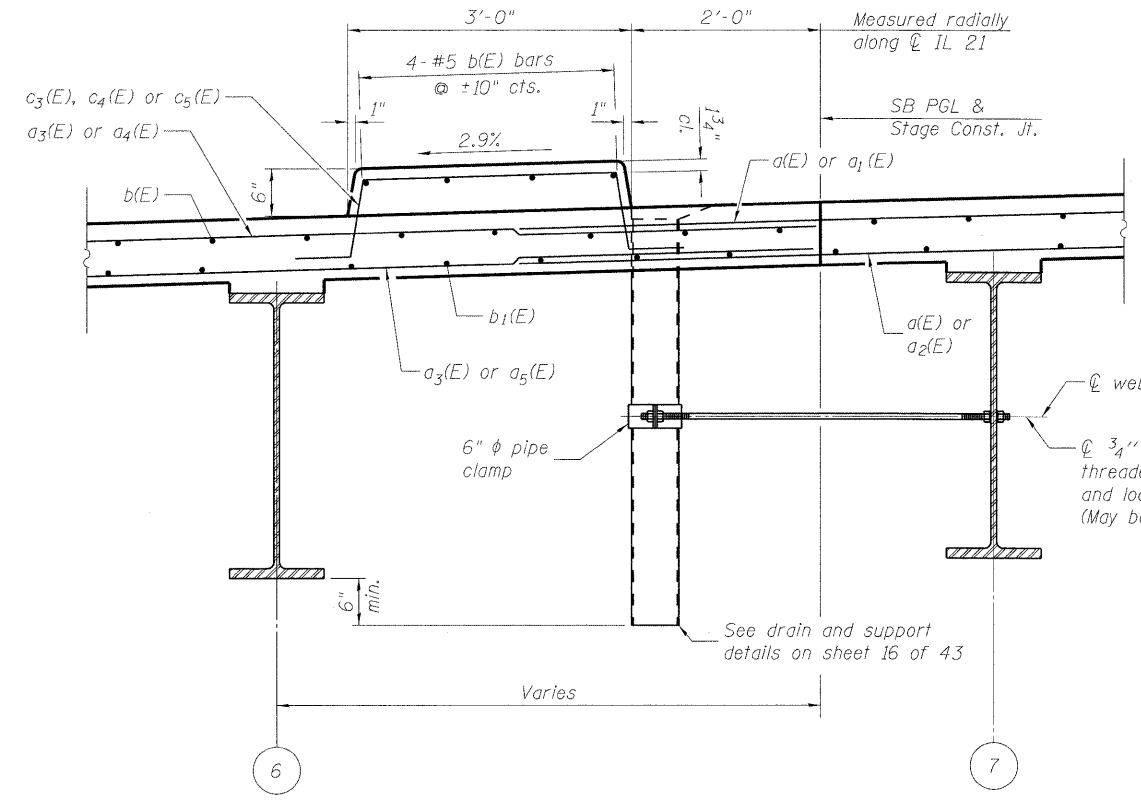


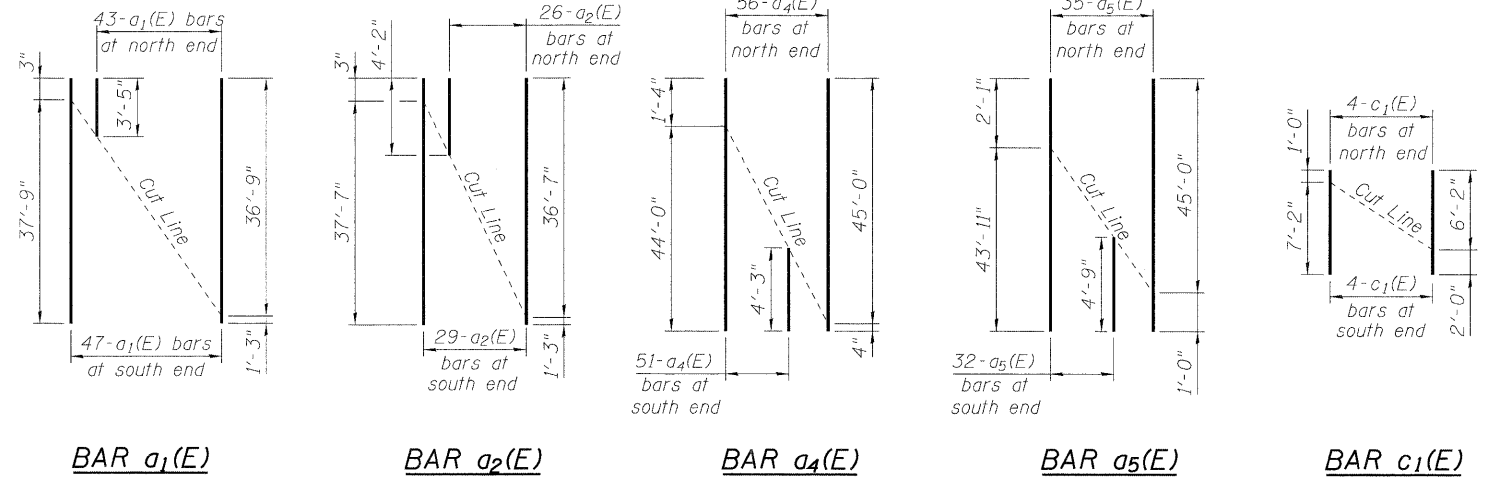
Hatched area to be poured after superstructure forms have been removed. Quantity of concrete included with Concrete Superstructure.



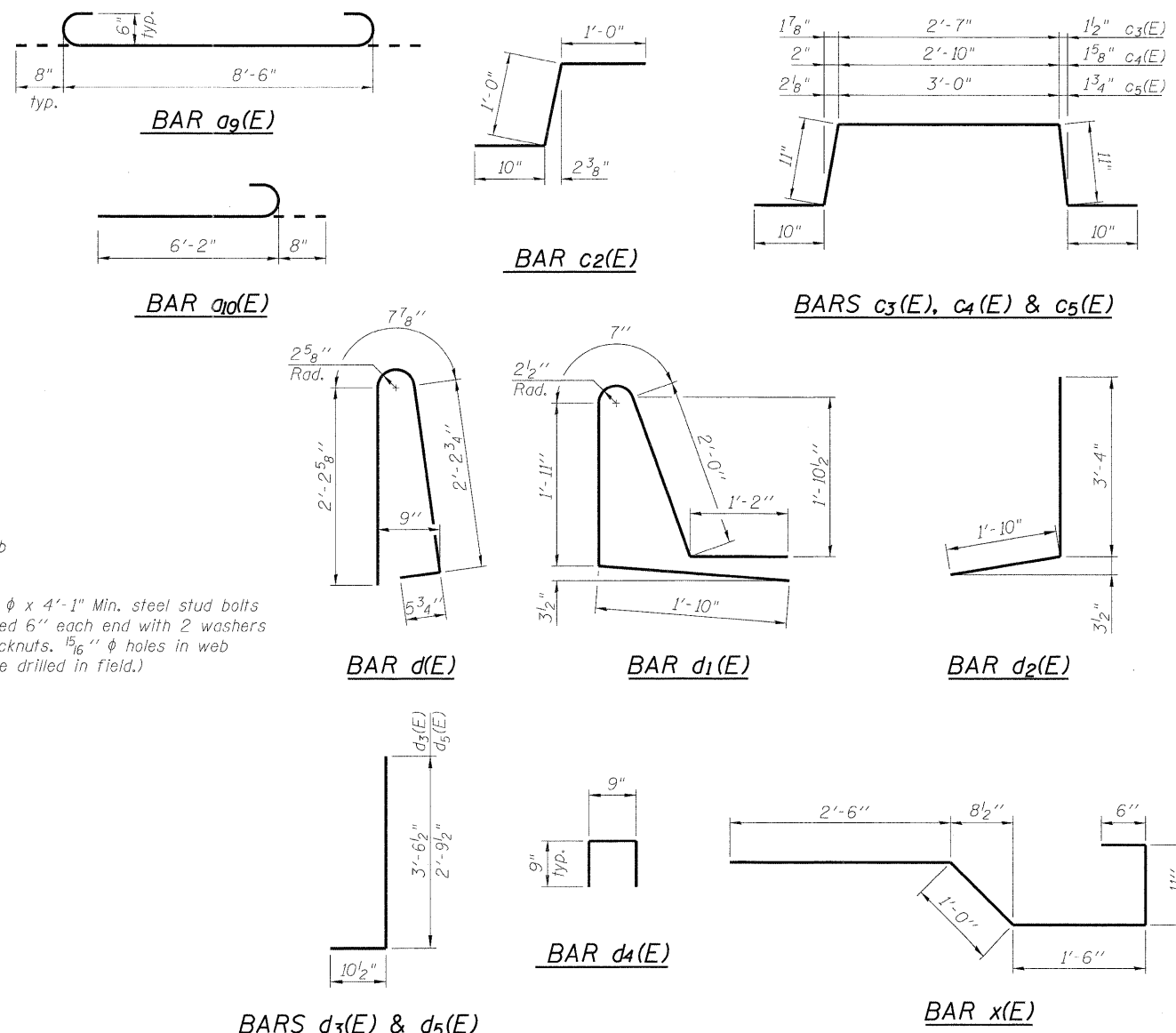
SECTION A-A



SECTION THRU MEDIAN



REBAR CUTTING DIAGRAM



SUPERSTRUCTURE BILL OF MATERIAL

Bar No.	Size	Length	Shape
a(E)	169	#5	38'-3"
a1(E)	47	#5	38'-0"
a2(E)	29	#5	37'-10"
a3(E)	156	#5	46'-1"
a4(E)	56	#5	45'-4"
a5(E)	35	#5	46'-0"
a6(E)	20	#6	24'-0"
a7(E)	20	#6	30'-10"
a8(E)	153	#6	6'-6"
a9(E)	54	#6	9'-10"
a10(E)	12	#6	6'-10"
b(E)	198	#5	36'-6"
b1(E)	228	#5	25'-6"
c(E)	66	#5	8'-8"
c1(E)	4	#5	8'-2"
c2(E)	71	#5	2'-10"
c3(E)	68	#5	6'-1"
c4(E)	2	#5	6'-4"
c5(E)	2	#5	6'-6"
d(E)	77	#5	5'-7"
d1(E)	77	#5	7'-6"
d2(E)	71	#5	5'-2"
d3(E)	71	#6	4'-5"
d4(E)	16	#4	2'-3"
d5(E)	71	#5	3'-8"
e(E)	52	#4	17'-2"
e1(E)	2	#8	37'-6"
e2(E)	3	#4	24'-3"
x(E)	162	#5	6'-5"
Floor Drains	Each		8
Concrete Superstructure	Cu. Yd.		177.5
Bridge Deck Grooving	Sq. Yd.		529
Protective Coat	Sq. Yd.		685
Reinforcement Bars, Epoxy Coated	Pound		44,670
Parapet Railing	Foot		70

Bars indicated thus 1 x 2 - #8 etc. indicates 1 line of bars with 2 lengths per line.

FILE NAME =	USER NAME =	DESIGNED - KO	REVISED -
\$FILEL\$		CHECKED - JY	REVISED -
	PLOT SCALE =	DRAWN - KO	REVISED -
	PLOT DATE = 12/20/2010	CHECKED - JY	REVISED -

STATE OF ILLINOIS
DEPARTMENT OF TRANSPORTATION

DECK DETAILS AND BILL OF MATERIAL
STRUCTURE NO. 049-0199
SHEET NO. 17 OF 43 SHEETS

F.A.P. RTE.	SECTION	COUNTY	TOTAL SHEETS	SHEET NO.
330	128R-2-F	LAKE	28	14
			CONTRACT NO. 60P54	
ILLINOIS FED. AID PROJECT				

FOR INFORMATION ONLY MACTEC