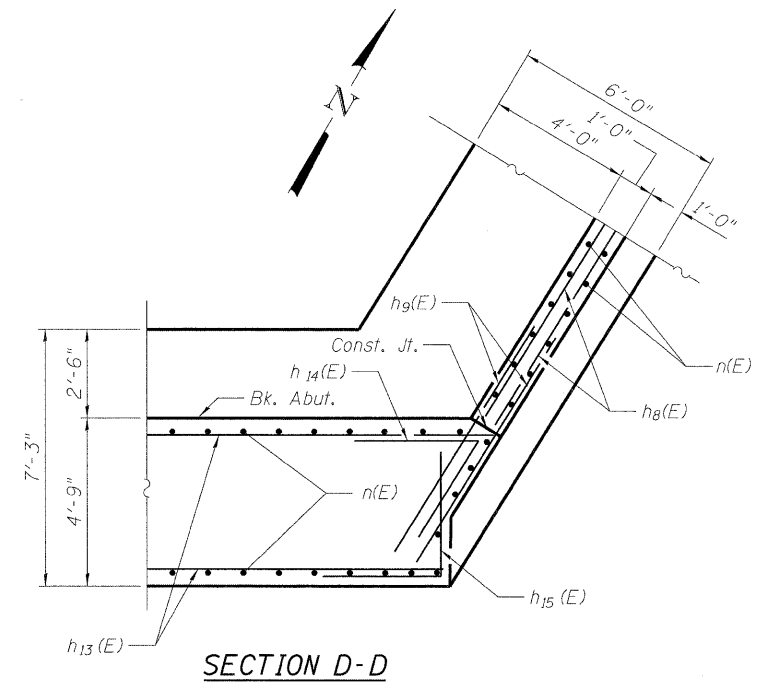


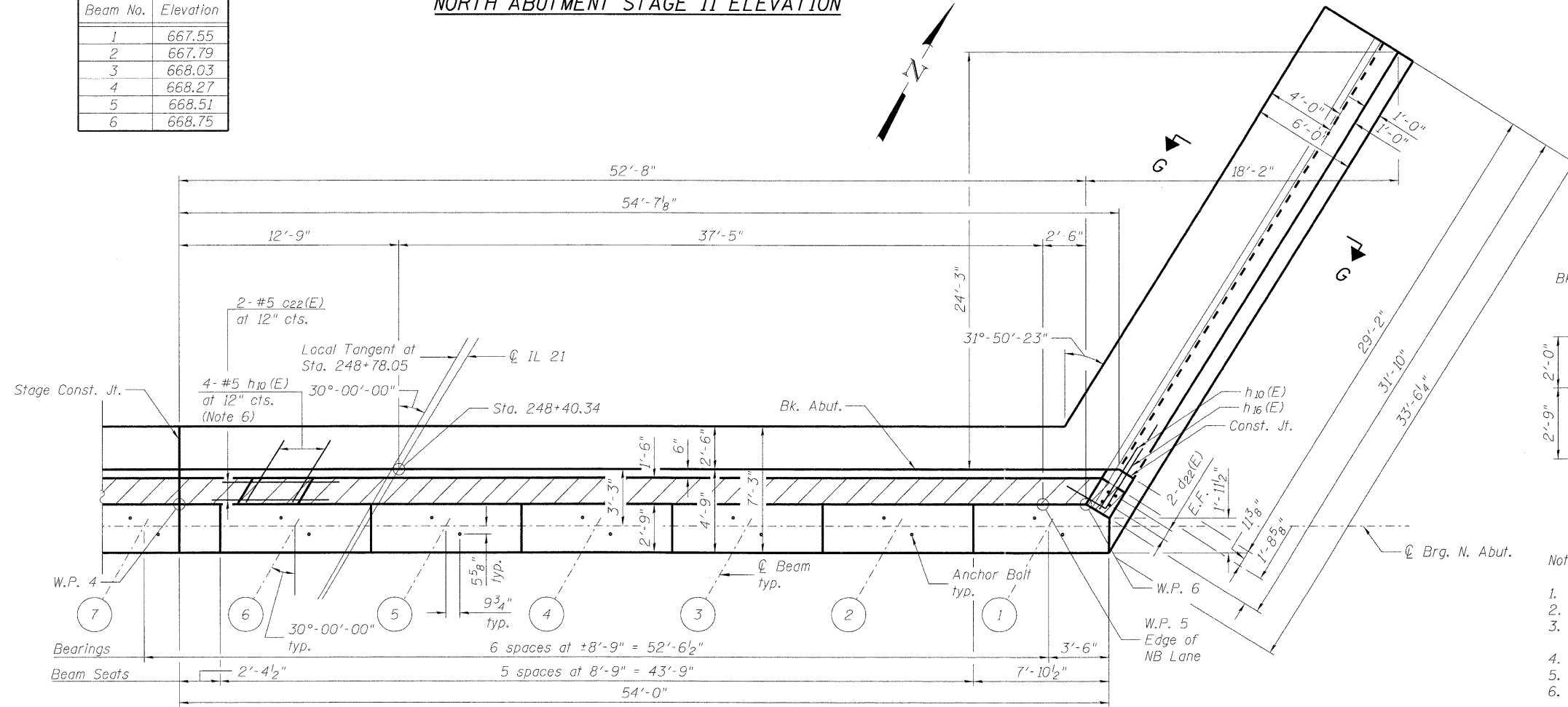
BEAM SEAT ELEVATION

Beam No.	Elevation
1	667.55
2	667.79
3	668.03
4	668.27
5	668.51
6	668.75

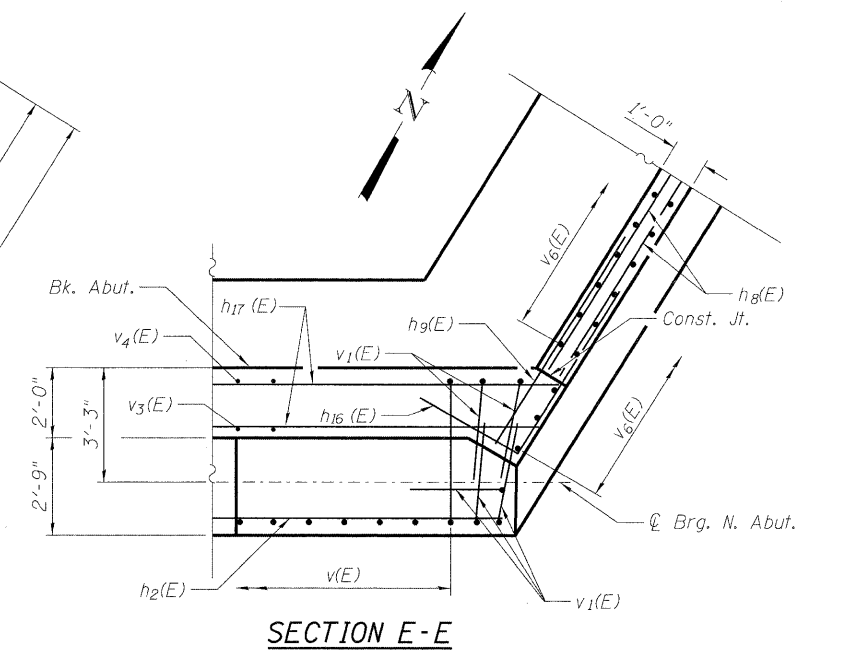
NORTH ABUTMENT STAGE II ELEVATION



SECTION D-D



NORTH ABUTMENT STAGE II PLAN VIEW



SECTION E-E

- Notes:
1. See Section A-A on sheet 31 of 43.
 2. See Section G-G on sheet 33 of 43.
 3. Hatched area to be poured after superstructure false work has been removed. Quantity of concrete included with Concrete Superstructure.
 4. Space reinforcement in cap to miss anchor bolts.
 5. Pour steps monolithically with cap.
 6. Place bar splicer (E), v4(E) and h10(E) bars parallel to beams. Alternate bar splicer with v4(E) bars.
 7. Min. lap splice for #5 bar is 2'-11" and #6 bar is 3'-6" unless noted otherwise.

FILE NAME =	USER NAME =	DESIGNED - JY	REVISED -
#FILE#		CHECKED - WPM	REVISED -
	PLOT SCALE =	DRAWN - JY	REVISED -
	PLOT DATE = 12/28/2010	CHECKED - RMK	REVISED -

STATE OF ILLINOIS
DEPARTMENT OF TRANSPORTATION

STAGE II NORTH ABUTMENT PLAN, ELEVATION AND SECTIONS
STRUCTURE NO. 049-0199

F.A.P. RTE.	SECTION	COUNTY	TOTAL SHEETS	SHEET NO.
330	128R-2-F	LAKE	28	22
CONTRACT NO. 60P54			ILLINOIS FED. AID PROJECT	

SHEET NO. 32 OF 43 SHEETS

FOR INFORMATION ONLY MACTEC